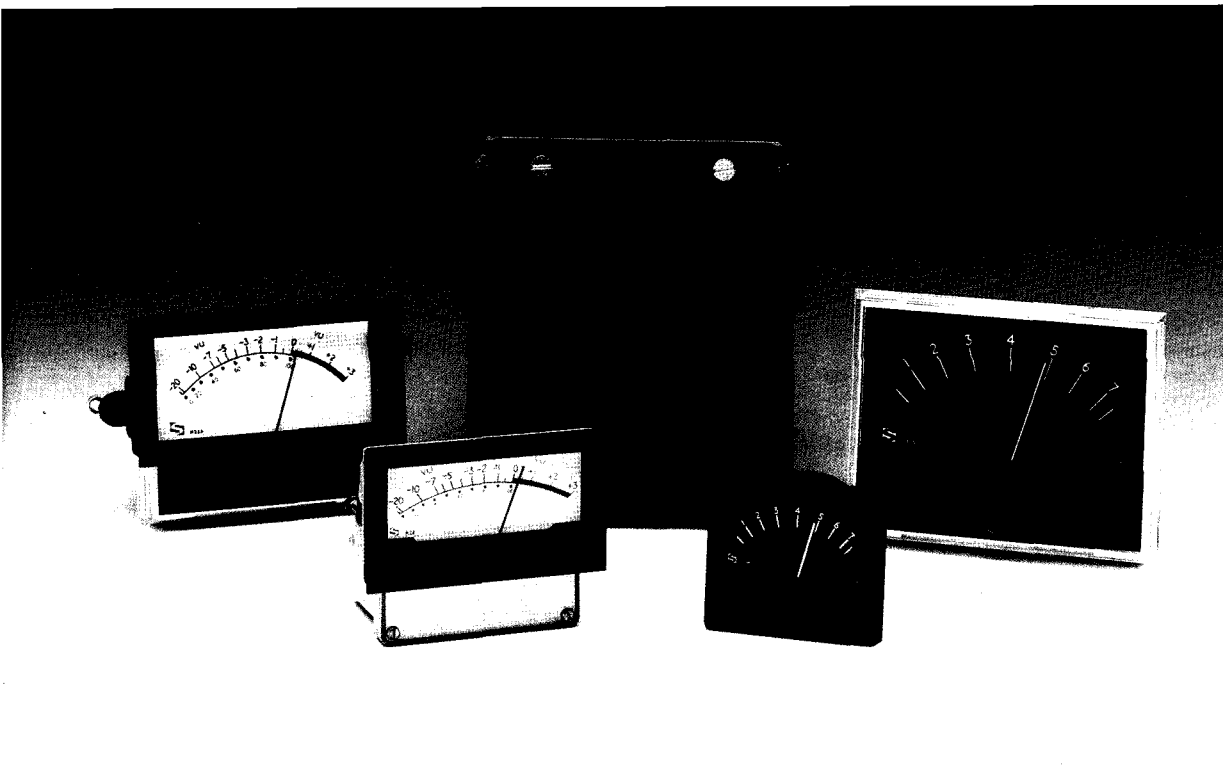


vu Meters and PPM Indicators



Key features

- Variety of styles and sizes
- Conform to international specifications
- Illumination options



Product - general description

Sifam offers a wide selection of vu meters and PPM indicators to the relevant international standards from the proven Clarity, Clarity Focus, Director and Monitor ranges.

vu Meters

The performance of these meters fully meet the requirements of BS 6840:Part17:1991 and IEC268 - 17:1990. These include dynamic characteristics, frequency response harmonic distortion, input impedance and temperature range. The now obsolete ANS C16.5 - 1954 is also met.

Please refer to the back page for more information and details of meters available.

PPM indicators

These are used as the readout on peak programme meters and require to be used with a drive amplifier circuit.

The performance of these meters generally conforms to BS 6840:Part 10:1991 and IEC268 - 10:1991.

Please refer to the back page for more information and details of meters available.

Type 74 dual movement meter

This has two meter movements, concentrically mounted, one in front of the other in a single case with integral matt black bezel and is illustrated in the centre of the above photograph.

It can be supplied as a dual vu meter or dual ppm indicator. There is also the option of a combined vu meter/ppm indicator. In each case the above relevant specifications are met as is British Broadcasting Corporation PPM specification ED 1542.

Please refer to the back page for dimensions.

Dimensions

These are detailed on the relevant general data sheets covering each range or alternatively certified drawings are available on request.

Illumination

Comprehensive options are available.

Please refer to the back page for more information.

Ordering information

To order, simply refer to the SIFAM User Information Guide or contact the sales office.

**METERS
DIVISION**



vu meters - additional information

These are low range ac voltmeters suitable for connecting across a 600 ohm line and self contained except for requiring an external 3.6k ohm external resistor. Calibrated for use with a 3.6k ohm resistor 4vu above the scale marking so that the reference deflection (0 vu) is produced by a signal 4 vu above 1mW in 600 ohms (1.228v).

The standard dial colour is dark buff Munsell 2.93Y with the vu 'A' scale as illustrated in the photographs. A white background can be supplied at no extra cost as can the vu 'B' scale with the 'percent' reading at the top.

Types and sizes available

Clarity	R22A, R23A, R32A, R42A
Clarity Focus	R22AF, R32AF, R42AF
Director	R14*, R24A, R34A, R44A
Monitor	R28, R38, R48

*R14 has an overswing at reference deflection of 1-3.5% instead of the specified 1-1.5%.

PPM indicators - additional information

The standard dial colour is black with scale markings in accordance with the Type 11a version of the specifications, as illustrated in the above photographs. The Type 11b scale marked -12 to +12 which conforms to the European Broadcasting Union standard can be supplied to no extra cost as can custom scales.

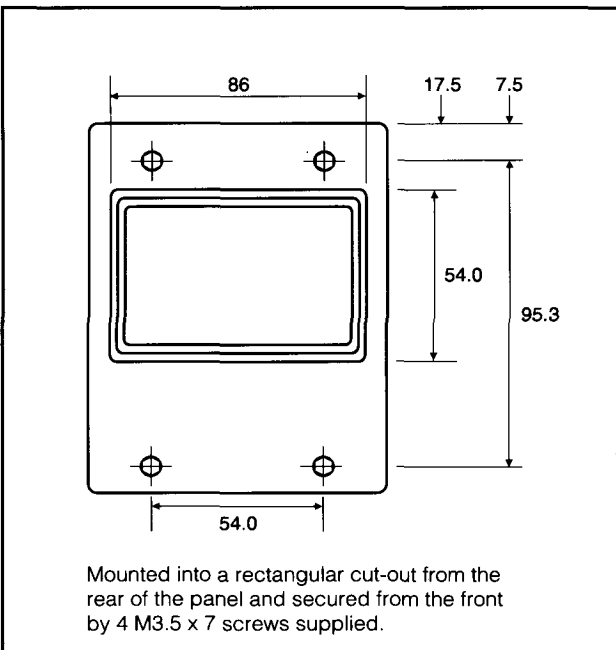
Types and sizes available

Clarity	22A*, 23A+, 32A, 42A+
Clarity Focus	22AF*, 32AF, 42AF+
Director	14+, 24A*, 34A, 44A+

*22A, 22AF, 24A meet all technical requirements except in respect of scale and pointer length.

+23A, 42A, 42AF, 14, 44A do not conform in every respect to the technical requirements.

Type 74 dimensions and mounting details



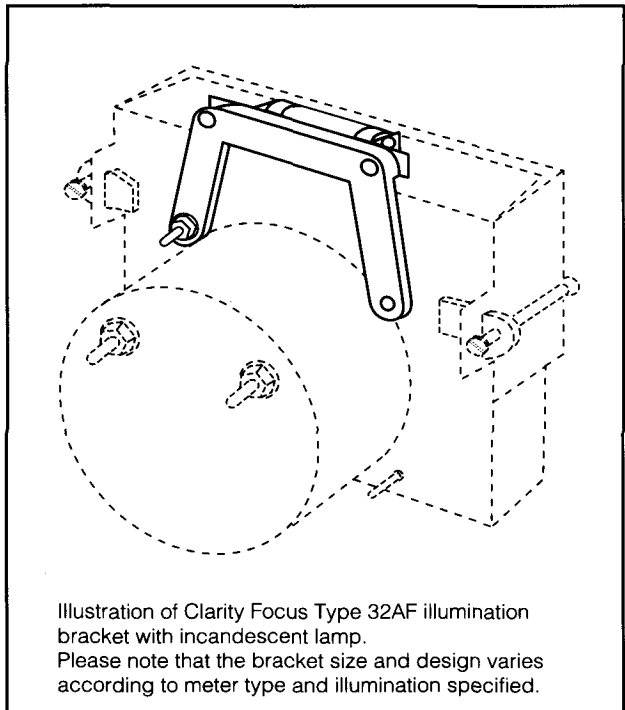
Illumination

Please contact the sales office for full information. Below are details of that available for the popular Clarity Focus range. Items with incandescent lamps are also available for the Director and Monitor range and also Type 74.

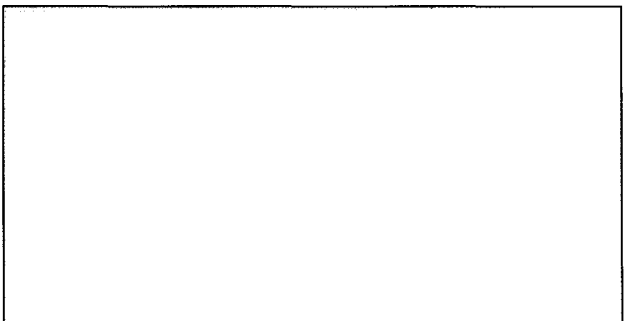
Clarity Focus range

This comprises a bracket which locates onto the rear of the meter containing either a festoon incandescent lamp or LED bar.

Type	Festoon lamp			LED	
	6v	12v	24v	12v	24v
22AF	0.50A	0.25A	0.125A	0.06A	0.04A
32AF	0.50A	0.25A	0.125A	0.08A	0.04A
42AF	0.50A	0.25A	0.125A	0.10A	0.04A



As part of our policy of continuous product improvement we reserve the right to change specifications at any time.



SIFAM LIMITED

Woodland Road · Torquay · Devon · England · TQ2 7AY · Telephone 01803 613822 · Fax 01803 613926