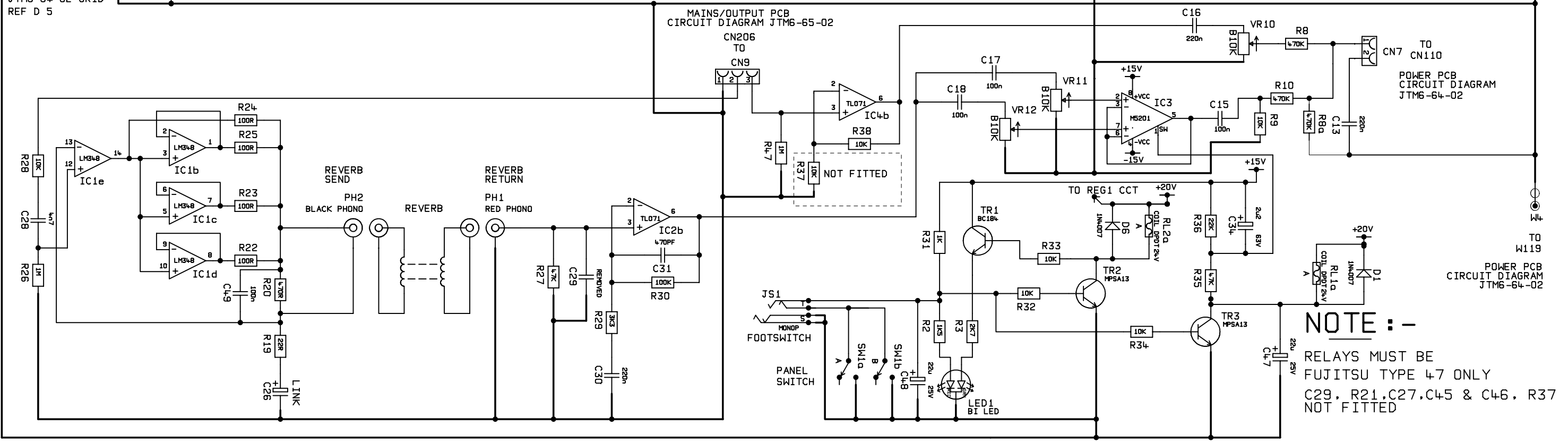
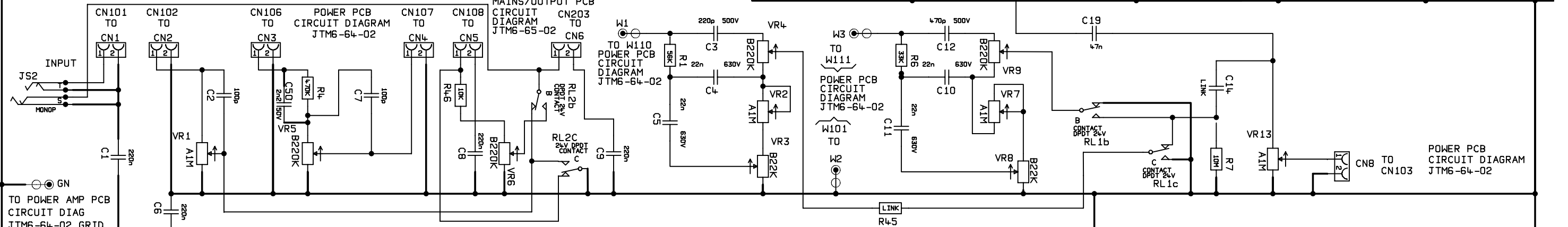
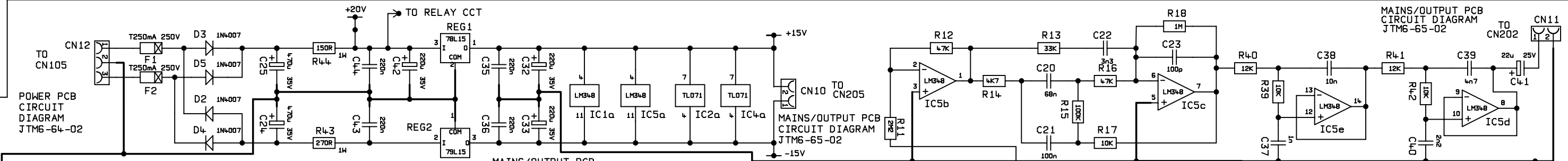
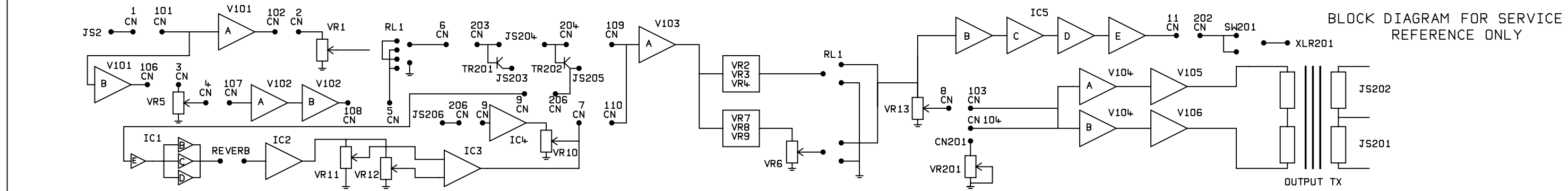


JCM6-60-02
DWG.No.

BLOCK DIAGRAM FOR SERVICE REFERENCE ONLY



NOTE :-
RELAYS MUST BE FUJITSU TYPE 47 ONLY
C29, R21, C27, C45 & C46, R37 NOT FITTED

6		ALL OTHER HOLES =		X = (THROUGH PLATED)		MATERIAL		DIMENSIONS IN		<p>© JIM MARSHALL (PRODUCTS) LTD. DENBIGH ROAD, BLETCHLEY, MILTON KEYNES, MK1 1DQ. TEL (0908)375411 FAX (0908)376118</p>		TITLE PRE-AMP PCB CIRCUIT DIAGRAM	
2		1444		27-8-97		MATERIAL THICKNESS		TOLERANCE (UNLESS OTHERWISE STATED)				DWG.No JCM6-60-02	
1		1315		22/10/96		DRAWN RSB		DATE 04/05/95		MODEL JCM600			
ISS		ECO NUMBER		DATE		CHECKED		DATE					
A		B		C		D		E		F		G	