



Dilecon Capacitor

(Only available in Imperial sizes)

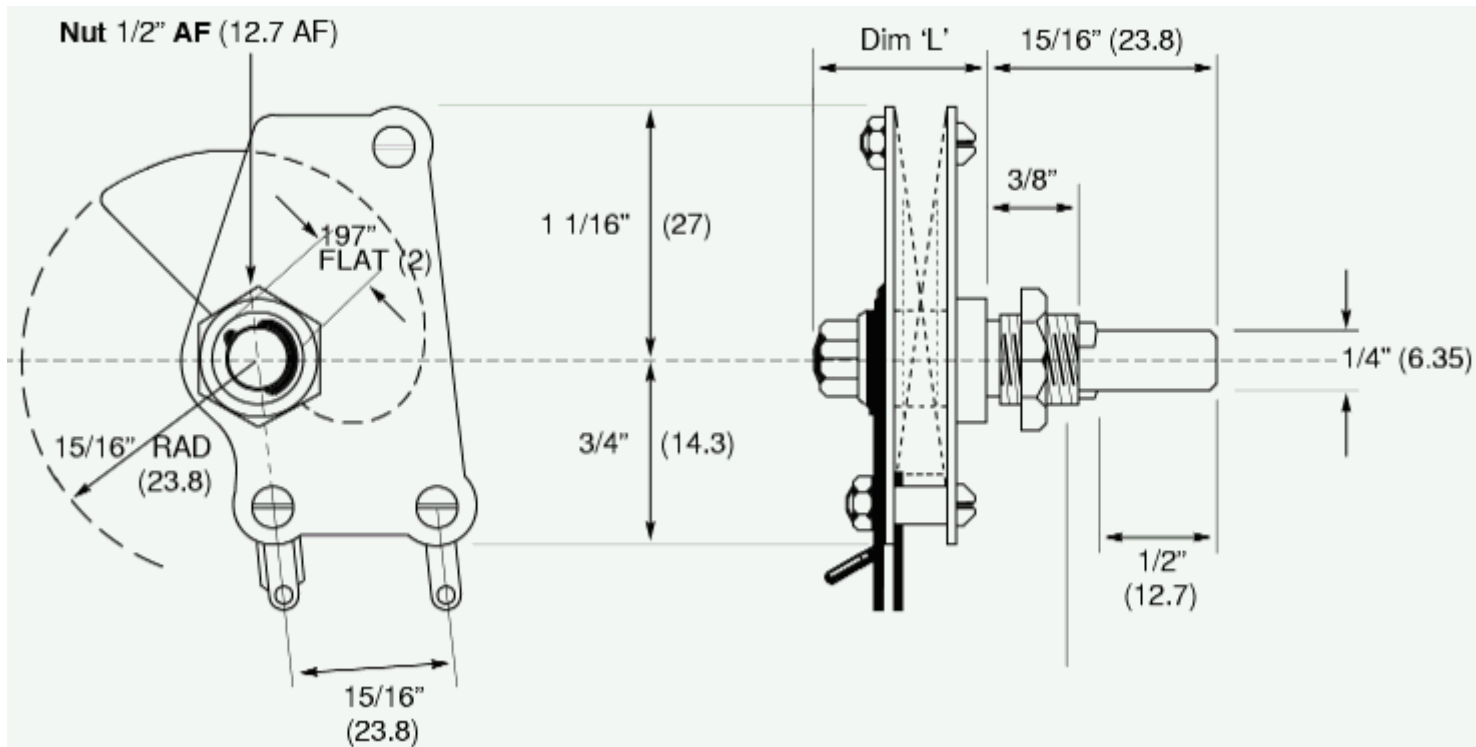


A compact, solid, dielectric variable capacitor.

Tested at 750V
Material and finish commercial
Suitable for panel 1/16" - 1/4" thickness (1.6 – 6.35)
All measurements shown are in inches

Order No.	pF within 20%		Dim 'L'	Dim 'L'
	Min	Max		
3006	6.0	100	5/8"	15.8
3006A	6.0	150	5/8"	15.8
2095	6.0	200	5/8"	15.8
2094	6.5	300	5/8"	15.8
2093	7.0	500	11/16"	27.0
3005	9.0	750	11/16"	27.0

3006	£ 8.75
3006A	£ 8.75
2095	£ 8.75
2094	£ 8.75
2093	£ 8.75



[LA1 Variable Capacitor](#)

[Catalogue Index](#)

[Wavemaster Variable Capacitor](#)

