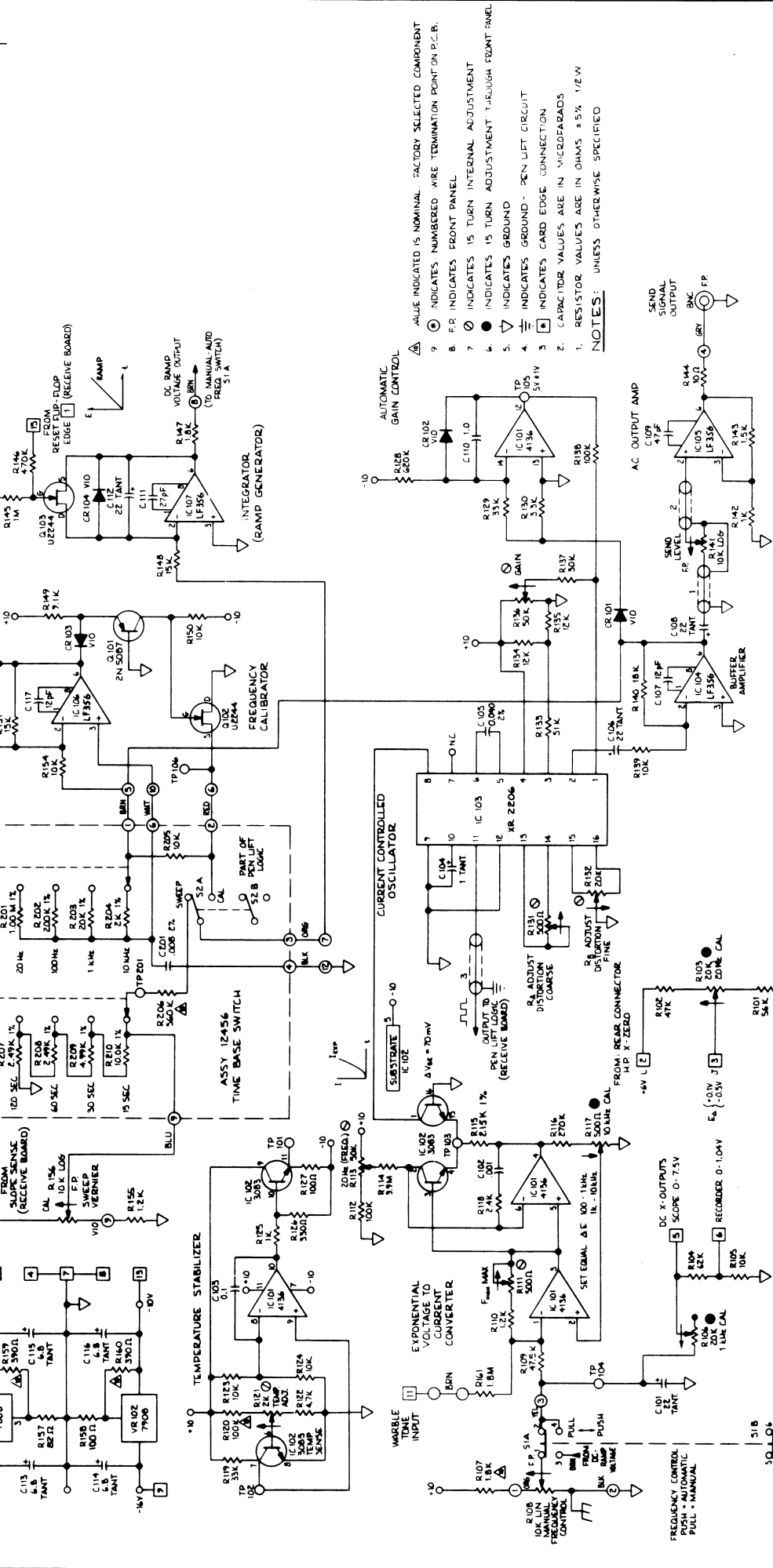


ZONE	LR	REVISIONS	DATE	APPROVED
A	PER	EO 0136	10-1-76	DDM
B	PER	EO 0148	7-10-77	RPM
C	PER	EO 0178	1-10-78	RPM
D	PER	EO 0178	2-22-78	DDM
E	PER	ECD-2000-013	8-5-80	RPM



- 1. VALUE INDICATED IS NOMINAL. FACTORY SELECTED COMPONENT
  - 2. ⊕ INDICATES NUMBERED WIRE TERMINATION POINT ON P.C.B.
  - 3. F.P. INDICATES FRONT PANEL
  - 4. ⊙ INDICATES 15 TURN INTERNAL ADJUSTMENT
  - 5. ⊕ INDICATES 15 TURN INTERNAL ADJUSTMENT
  - 6. ⊙ INDICATES GROUND
  - 7. ⊕ INDICATES CARD EDGE CONNECTION
  - 8. ⊙ INDICATES CARD EDGE CONNECTION
  - 9. ⊕ INDICATES CARD EDGE CONNECTION
- NOTES: 1. RESISTOR VALUES ARE IN OHMS ±5% 1/2W  
UNLESS OTHERWISE SPECIFIED

UNITED RECORDS ELECTRONICS INDUSTRIES 1100 EAST 17TH AVENUE, DENVER, CO. 80202, U.S.A.	
CONTRACT NO.	DATE
DRAWN BY	CHECKED
UNLESS OTHERWISE SPECIFIED DIMENSIONS ARE IN INCHES TOLERANCES ARE: FRACTIONS DECIMALS ANGLES XXX .XXX XXX .XXX	
MATERIAL	FINISH
TEST ASBY	USED ON
APPLICATION	DO NOT SCALE DRAWING
SIZE	SCALE
MODEL NO.	DRAWING NO.
D 2000	12568 E
SHEET	OF

PART OF PEN-LIFT LOGIC