

McIntosh

MC 2100

POWER AMPLIFIER



SERVICE INFORMATION

STARTING WITH SERIAL NO. 10W01

McINTOSH LABORATORY INC. 2 CHAMBERS STREET BINGHAMTON, NEW YORK

MC 2100

PERFORMANCE

McIntosh audio power ratings are in accordance with the Federal Trade Commission Regulation of November 4, 1974 concerning power output claims for amplifiers used in home entertainment products.

POWER OUTPUT**STEREO**

105 watts minimum sine wave continuous average power output, per channel, both channels operating into 4 ohms, 8 ohms, or 16 ohms load impedance, which is:

- 20.5 volts RMS across 4 ohms
- 29.0 volts RMS across 8 ohms
- 41.0 volts RMS across 16 ohms

MONO

210 watts minimum sine wave continuous average power output, operating into 2 ohms, 4 ohms, or 8 ohms load impedance, which is:

- 20.5 volts RMS across 2 ohms
- 29.0 volts RMS across 4 ohms
- 41.0 volts RMS across 8 ohms

OUTPUT LOAD IMPEDANCE**STEREO**

4 ohms, 8 ohms, or 16 ohms; separate terminals are provided for each output

MONO

2 ohms, 4 ohms, 8 ohms; separate terminals are provided for each output

RATED POWER BAND

20 Hz to 20,000 Hz

TOTAL HARMONIC DISTORTION**STEREO**

0.25% maximum harmonic distortion at any power level from 250 milliwatts to 105 watts per channel from 20 Hz to 20,000 Hz, both channels operating

MONO

0.25% maximum distortion at any power level from 250 milliwatts to 210 watts from 20 Hz to 20,000 Hz

FREQUENCY RESPONSE (at 1 watt output)

20 Hz to 20,000 Hz +0 -0.25 dB
10 Hz to 100,000 Hz +0 -3.0 dB

INTERMODULATION DISTORTION**STEREO**

0.25% if instantaneous peak power output is 210 watts or less per channel with both channels operating for any combination of frequencies, 20 Hz to 20,000 Hz

MONO

0.25% if instantaneous peak power output is 420 watts or less per channel with both channels operating for any combination of frequencies, 20 Hz to 20,000 Hz

NOISE AND HUM

90 dB below rated output

RATINGS**OUTPUT VOLTAGES****STEREO AND MONO**

25 volts for distribution lines

DAMPING FACTOR

20 at 4 ohms output
14 at 8 ohms output
11 at 16 ohms output

INPUT IMPEDANCE

200,000 ohms

INPUT SENSITIVITY

0.5 volt. Level control provided for higher input voltage

GENERAL INFORMATION**POWER REQUIREMENTS**

120 volts, 50/60 Hz, 75 watts at zero signal output, 430 watts at rated output

SEMICONDUCTOR COMPLEMENT

32 silicon transistors
14 rectifiers & diodes

MECHANICAL INFORMATION**SIZE**

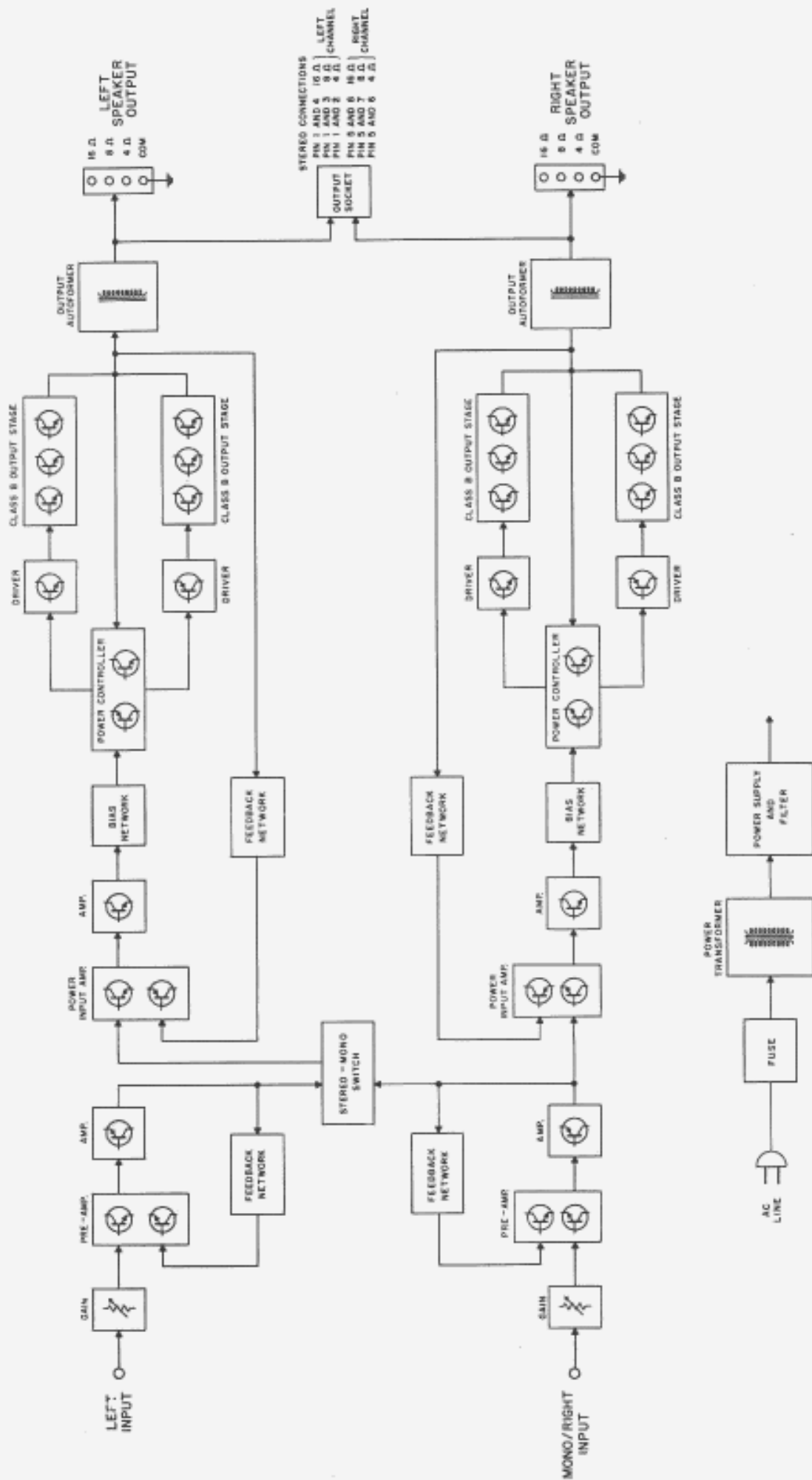
7 $\frac{3}{4}$ inches high (19.69 cm), 11 $\frac{3}{4}$ inches wide (29.85 cm), 17 inches deep (43.18 cm)

CHASSIS

Chrome and black

WEIGHT

57 pounds (25.86 kg) net, 63 pounds (28.58 kg) in shipping carton



MC 2100 BLOCK DIAGRAM