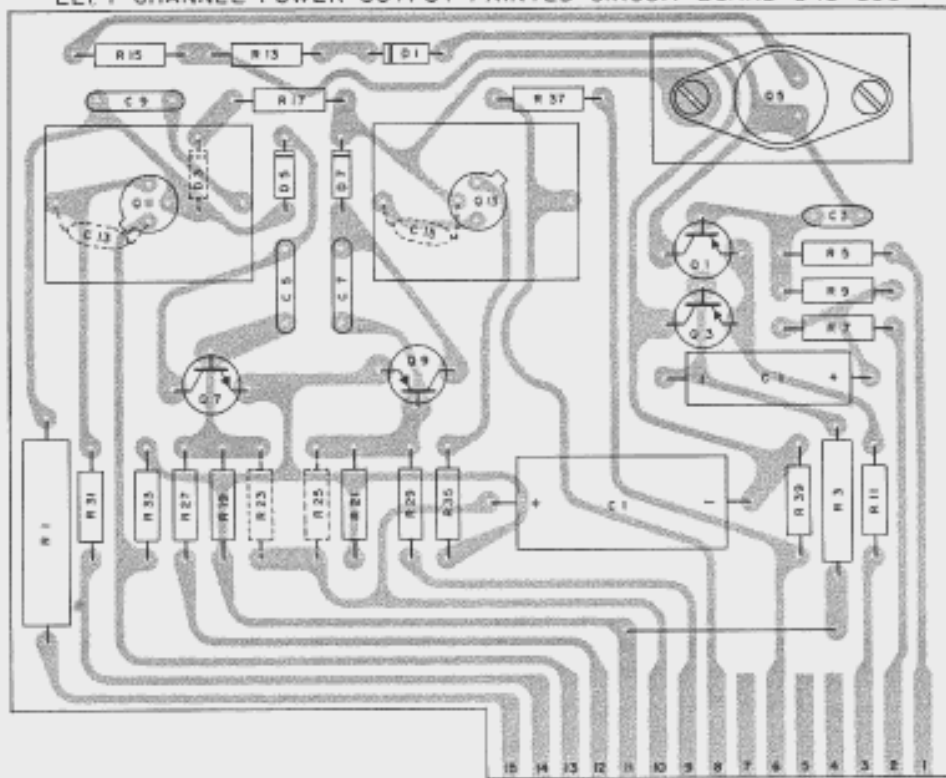
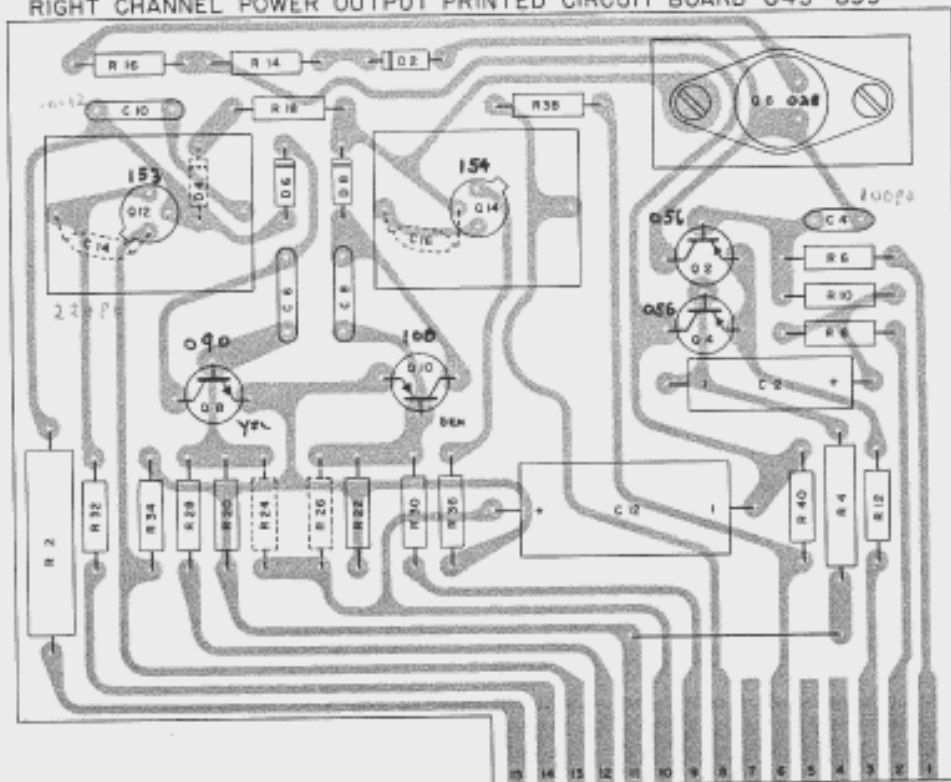


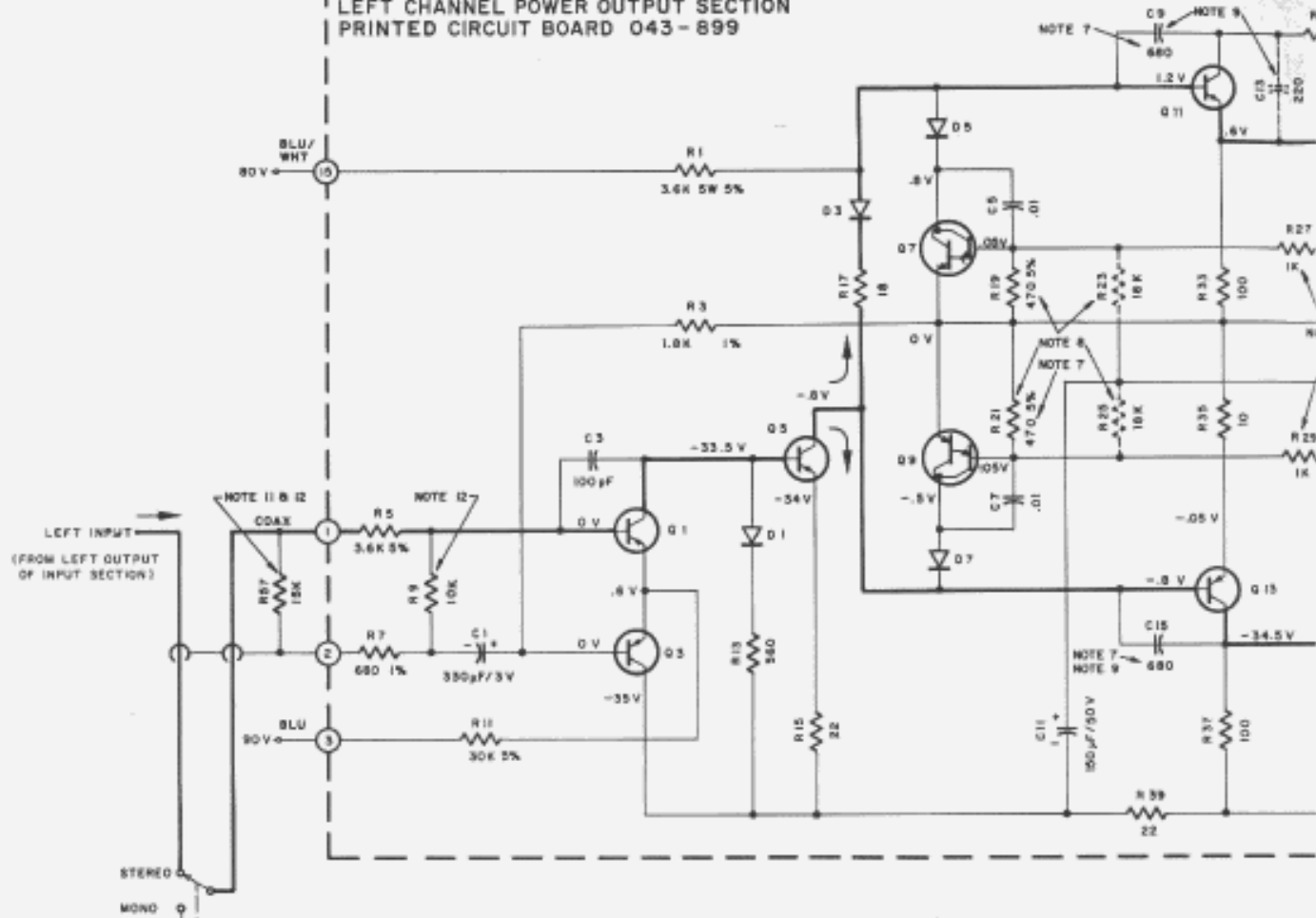
LEFT CHANNEL POWER OUTPUT PRINTED CIRCUIT BOARD 043-899



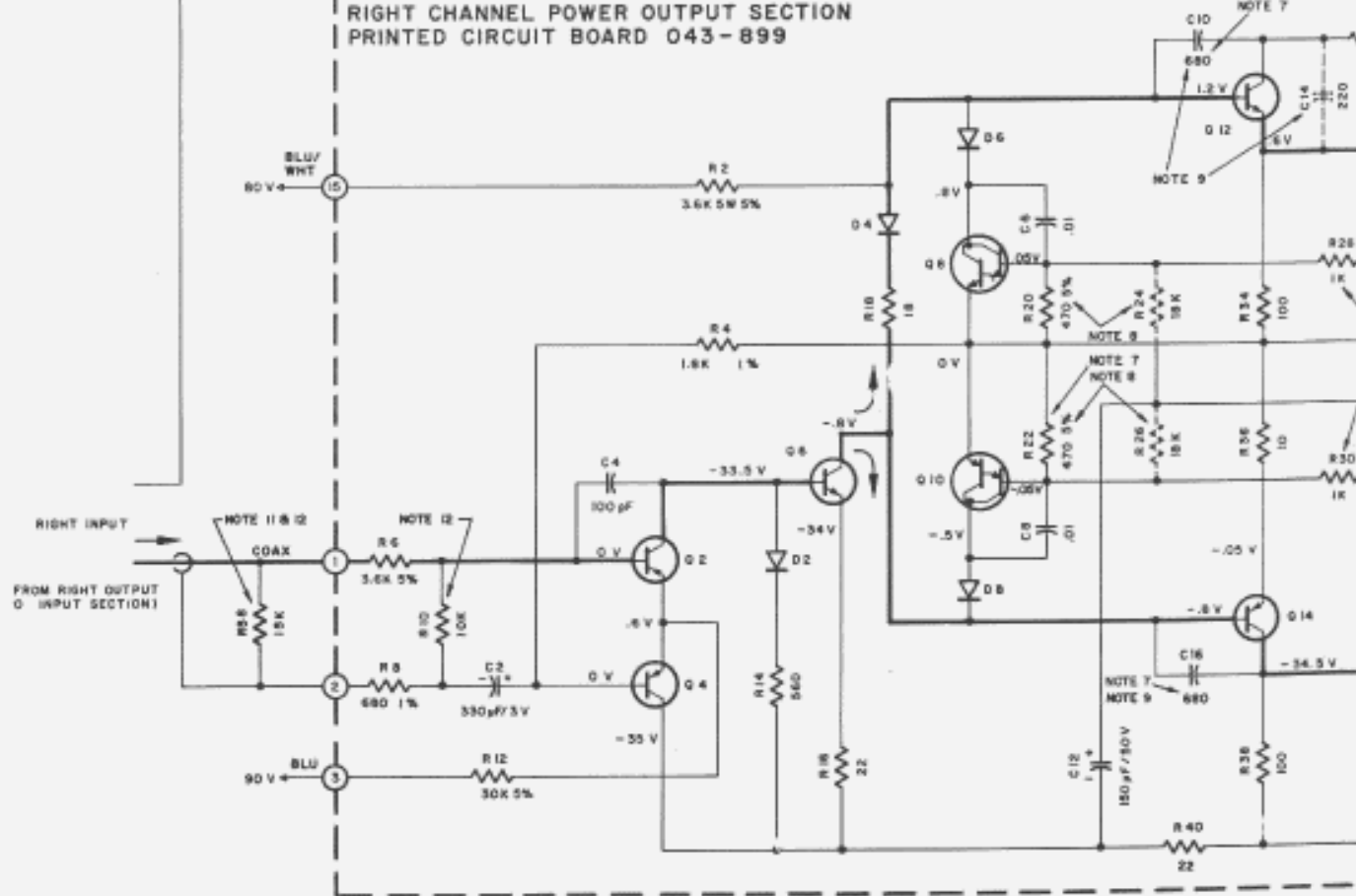
RIGHT CHANNEL POWER OUTPUT PRINTED CIRCUIT BOARD 043-899

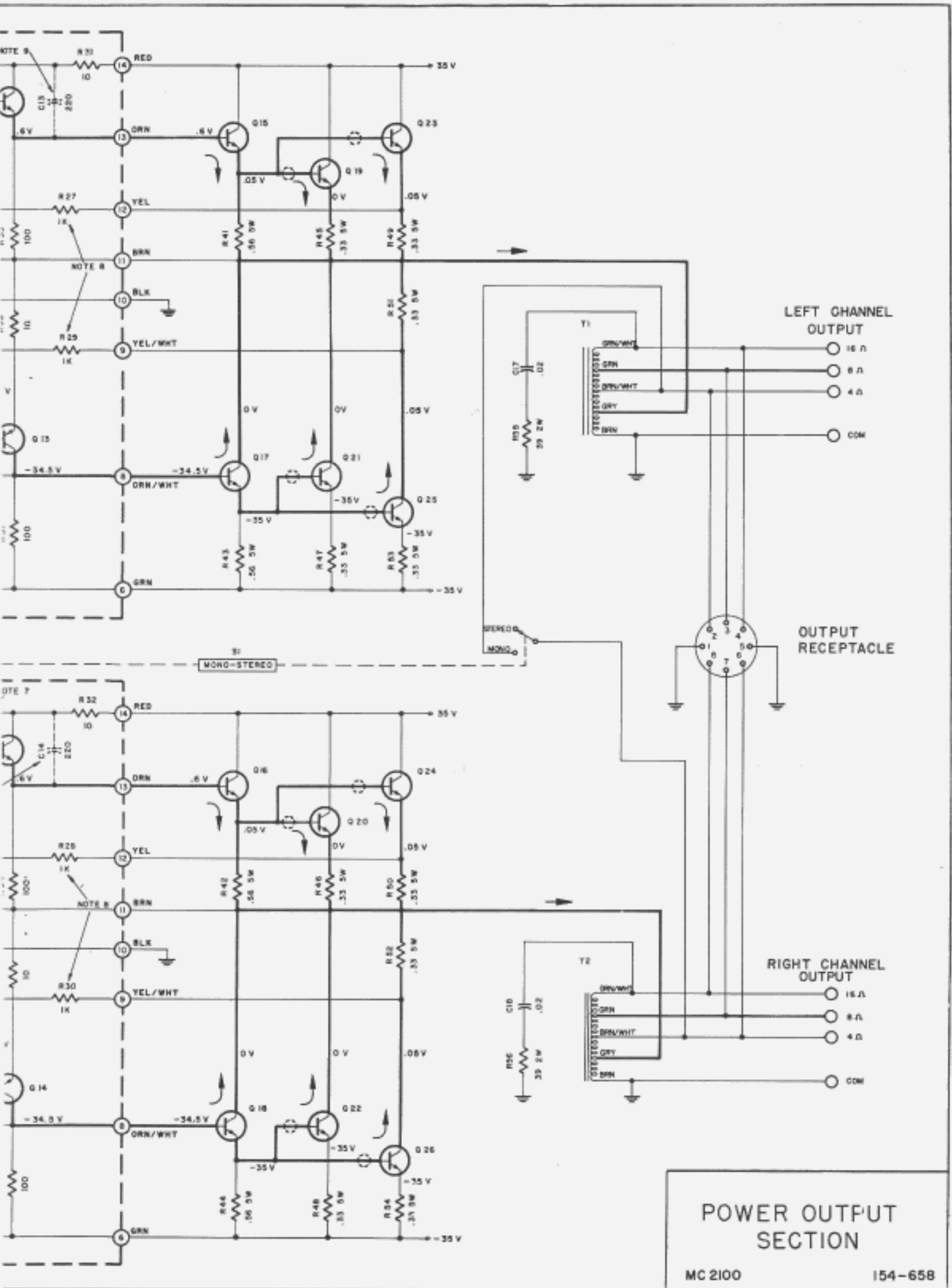


LEFT CHANNEL POWER OUTPUT SECTION  
PRINTED CIRCUIT BOARD 043-899



RIGHT CHANNEL POWER OUTPUT SECTION  
PRINTED CIRCUIT BOARD 043-899





**POWER OUTPUT SECTION**

MC 2100

154-658