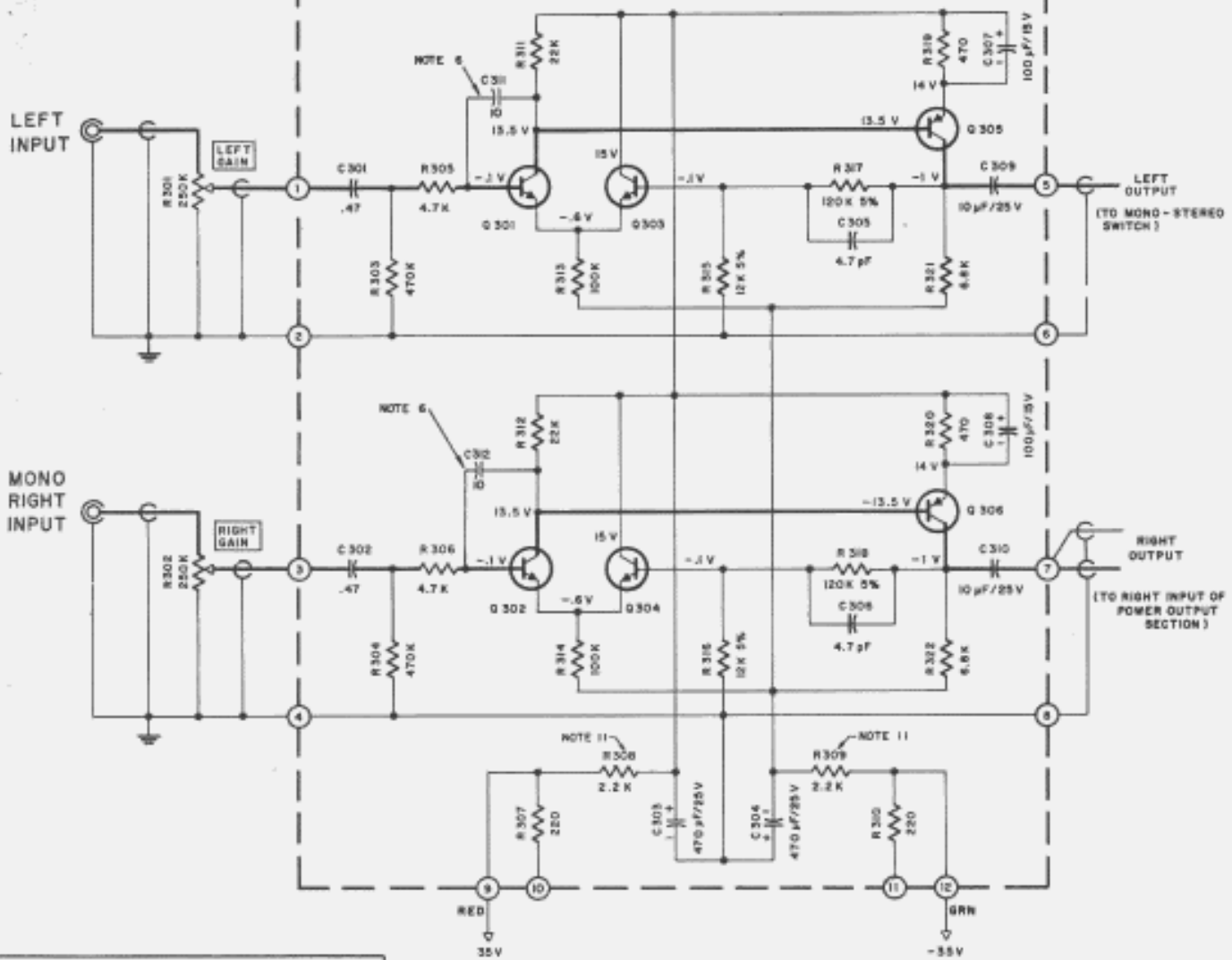


POWER SUPPLY SECTION

MC 2100 154-659

INPUT SECTION PRINTED CIRCUIT BOARD 043-795

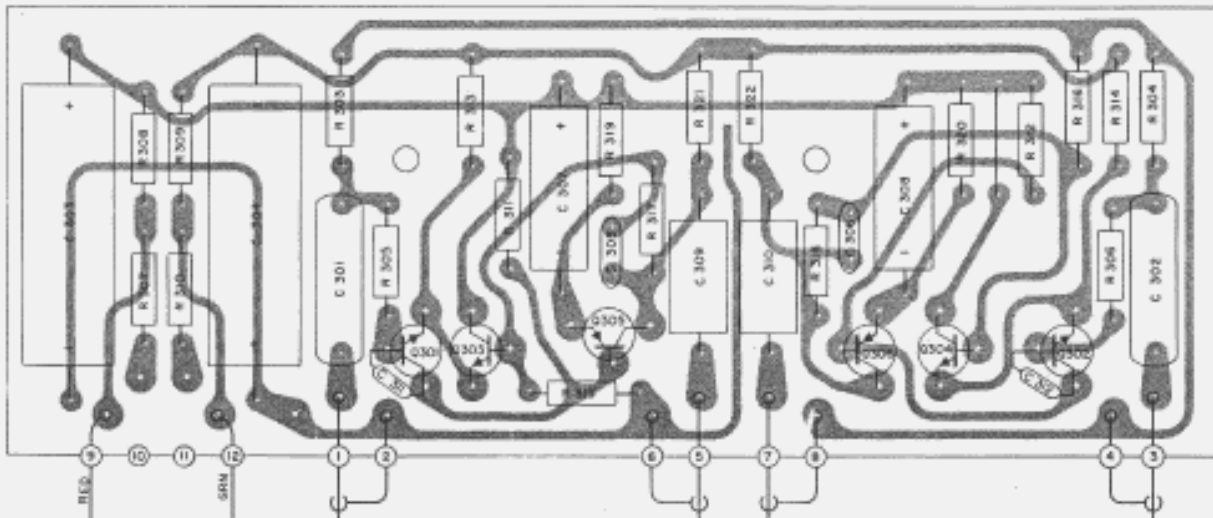


INPUT SECTION

MC 2100

154-660

INPUT SECTION PRINTED CIRCUIT BOARD 043-795

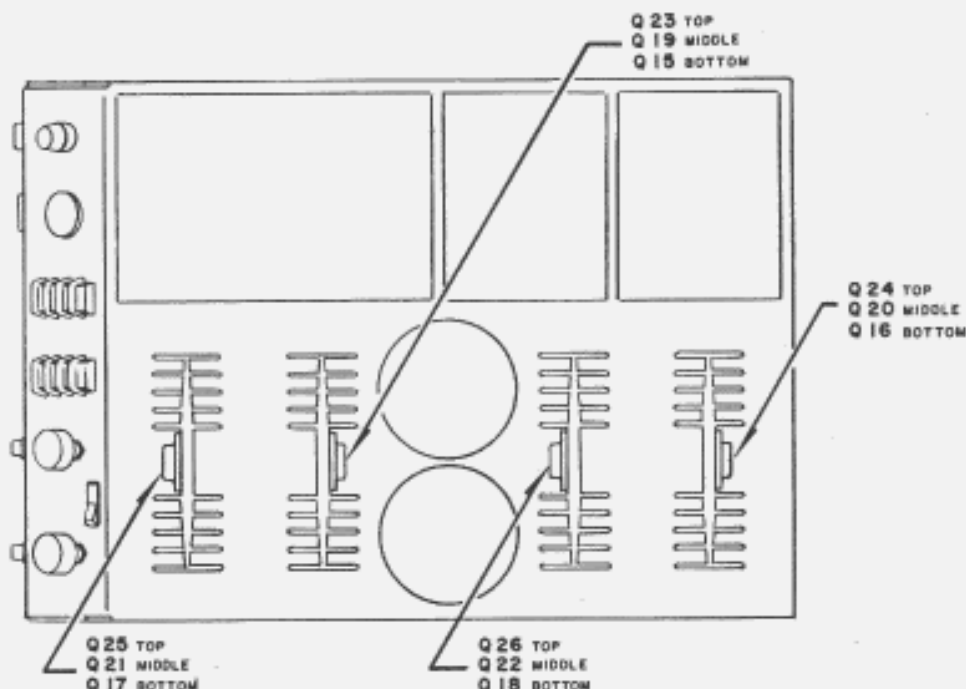


## SCHEMATIC NOTES

1. Unless otherwise specified: Resistance values are in ohms, 1/2 watt, and 10% tolerance; capacitance values smaller than 1 are in microfarads ( $\mu\text{F}$ ); capacitance values greater than 1 are in picofarads (pF); inductors are in microhenries ( $\mu\text{H}$ ).
2. Printed circuit board components are outlined on the schematics by dotted lines. The circled numbers on the dotted lines correspond to the numbers on the PC board layouts.
3. The heavy lines on the schematics denote the primary signal path.
4. The terminal numbering of rotary switches is for reference only.
5. All voltages indicated on the schematics are measured under the following conditions:
  - a. Use of an 11 megohm impedance VTVM.
  - b. All voltages  $\pm 10\%$  with respect to chassis ground.
  - c. No signal at input terminals.
  - d. AC input at 117 volts AC, 50/60Hz.
  - e. Front panel controls at:
 

Left Gain	FULL CCW
Right Gain	FULL CCW
Mode	STEREO
6. In units with Serial No.'s below 10W84, C311 & C312 are not used.
7. In units with Serial No.'s below 13W25; R21 & R22 are 120 $\Omega$  and C9, C10, C15, & C16 are 680pF.
8. In units with Serial No.'s below 59W75; R27, R28, R29 & R30 are 100 $\Omega$ ; R19 & R20 are 120 $\Omega$ ; R21 & R22 are 150 $\Omega$  and R23, R24, R25 & R26 are used.
9. In units with Serial No.'s below 99W26; C13 & C14 are used; R17 and R18 are 22 $\Omega$  and C9, C10, C15 & C16 are .0012 $\mu\text{F}$ .
10. In units with Serial No.'s below 99W26 F202 is not used.
11. In units with Serial No.'s below 86W06; R55 & R56 are 10K and R308 & R309 are 3.3K.
12. In units with Serial No.'s below 86W00; R9 & R10 are 3.3K and R33 & R56 are not used.

## LOCATION OF TRANSISTORS NOT ON PRINTED CIRCUIT BOARDS



## REPLACEMENT PARTS

All parts not listed are common items obtainable from radio parts jobbers.

Replacement parts may be obtained when ordered by PART NUMBER from:

McIntosh Laboratory, Inc.  
Customer Service Department  
2 Chambers Street  
Binghamton, New York 13903  
(telephone 607-723-3512)

## CAPACITORS

Symbol Number	Description	Part Number
C1,2	Elect. 330 $\mu$ F 3V	066-105
C11,12	Elect. 150 $\mu$ F 63V	066-205
C201,202	Elect. 39000 $\mu$ F 40V	066-119
C203	Elect. 80/80/150/50 $\mu$ F 200/200/150/150V	066-095
C301,302	Mylar .47 $\mu$ F 250V	064-045
C303,304	Elect. 470 $\mu$ F 25V	066-228
C307,308	Elect. 100 $\mu$ F 12V	066-227
C309,310	Elect. 10 $\mu$ F 25V	066-222

## DIODES

D1,2	Si. signal diode	070-047
D3,4	Bias diode	070-046
D5,6	Si. signal diode	070-047
D7,8	Si. signal diode	070-047
D201,202	Si. rectifier	070-038
D203,204	Si. rectifier	070-039
D205,206	Si. rectifier	070-031

## FUSES

F201	Fuse 5 amp, slo-blo	089-007
------	---------------------	---------

## TRANSISTORS

Q1,2	Si. PNP transistor	132-056
Q3,4	Si. PNP transistor	132-056
Q5,6	Si. NPN transistor	132-028
Q7,8	Si. NPN transistor	132-090
Q9,10	Si. PNP transistor	132-100
Q11,12	Si. NPN transistor	132-153
Q13,14	Si. PNP transistor	132-154
Q15,16	Si. NPN transistor	132-070
Q17,18	Si. NPN transistor	132-070
Q19,20	Si. NPN transistor	132-070
Q21,22	Si. NPN transistor	132-070
Q23,24	Si. NPN transistor	132-070
Q25,26	Si. NPN transistor	132-070

Q301,302	Si. NPN transistor	132-092
Q303,304	Si. NPN transistor	132-092
Q305,306	Si. PNP transistor	132-056

## POTENTIOMETERS

R301	Left gain	134-206
R302	Right gain	134-206

## RESISTORS

R1,2	Wirewound 3.6k 5W	139-096
R41,42	Wirewound .56 $\Omega$ 5W	139-081
R43,44	Wirewound .56 $\Omega$ 5W	139-081
R45,46	Wirewound .33 $\Omega$ 5W	139-080
R47,48	Wirewound .33 $\Omega$ 5W	139-080
R49,50	Wirewound .33 $\Omega$ 5W	139-080
R51,52	Wirewound .33 $\Omega$ 5W	139-080
R53,54	Wirewound .33 $\Omega$ 5W	139-080
R201,202	Thermistor	144-012

## SWITCHES

S1	Mode selector	153-008
S201,202	Thermal cut-out	153-007

## TRANSFORMERS

T1,2	Audio autoformer	043-694
T201	Power transformer	043-693

## MISCELLANEOUS ITEMS

Plastic feet	017-144
Owners manual	038-848
Gain control knob	090-017
Shipping carton	033-099
AC power cord	170-021
Fuseholder	178-001