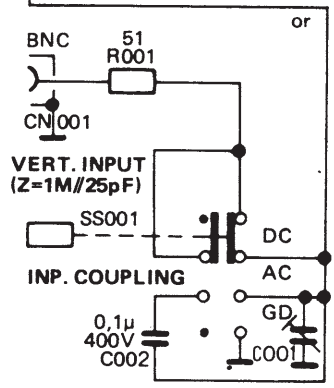


All components on this page exist doubly.
Distinctive mark:
T101-I refers to CH. I
T101-II refers to CH. II



COMPONENT LOCATIONS EY-BOARD

