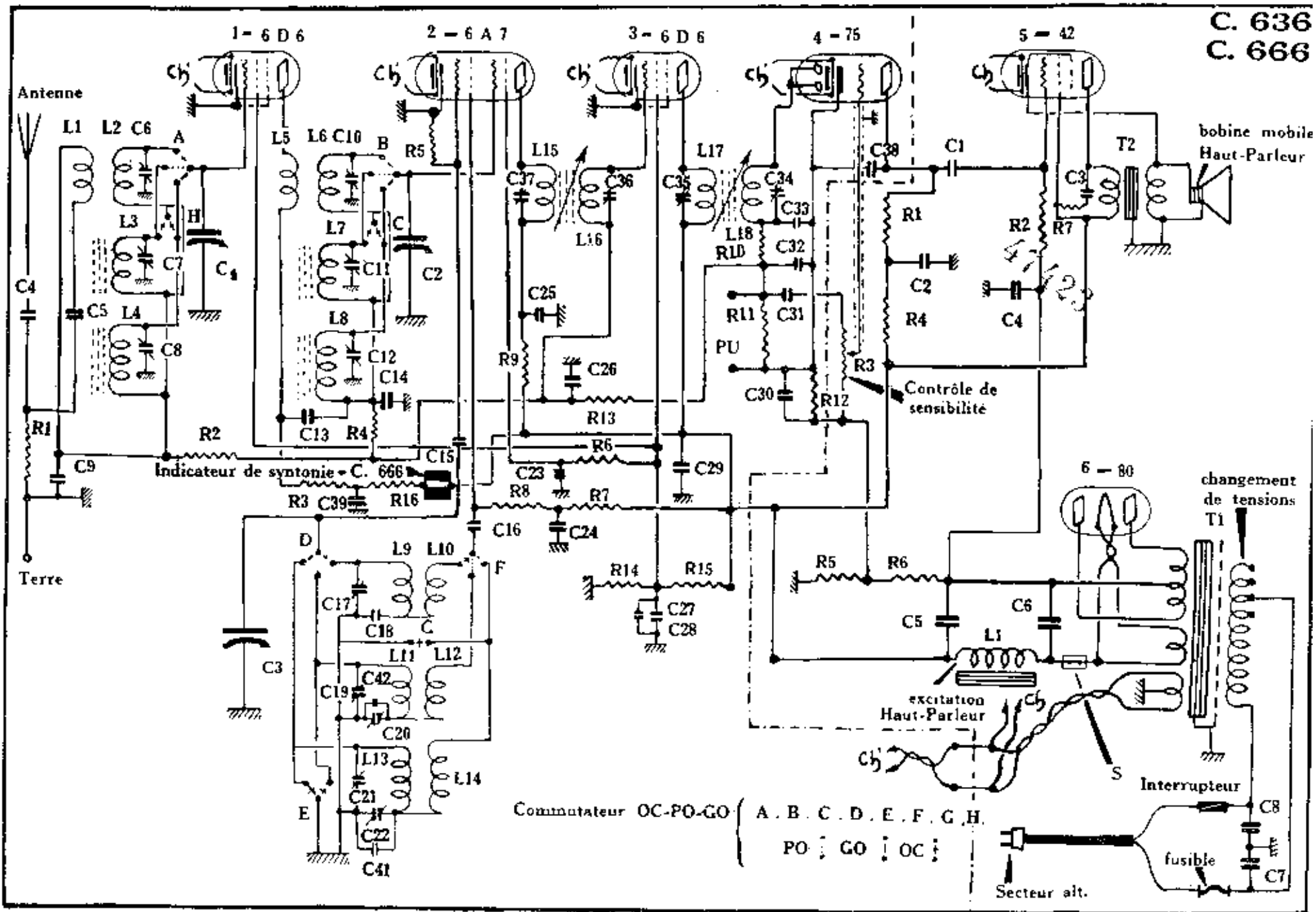


C. 636
C. 666



C. 636
C. 666

