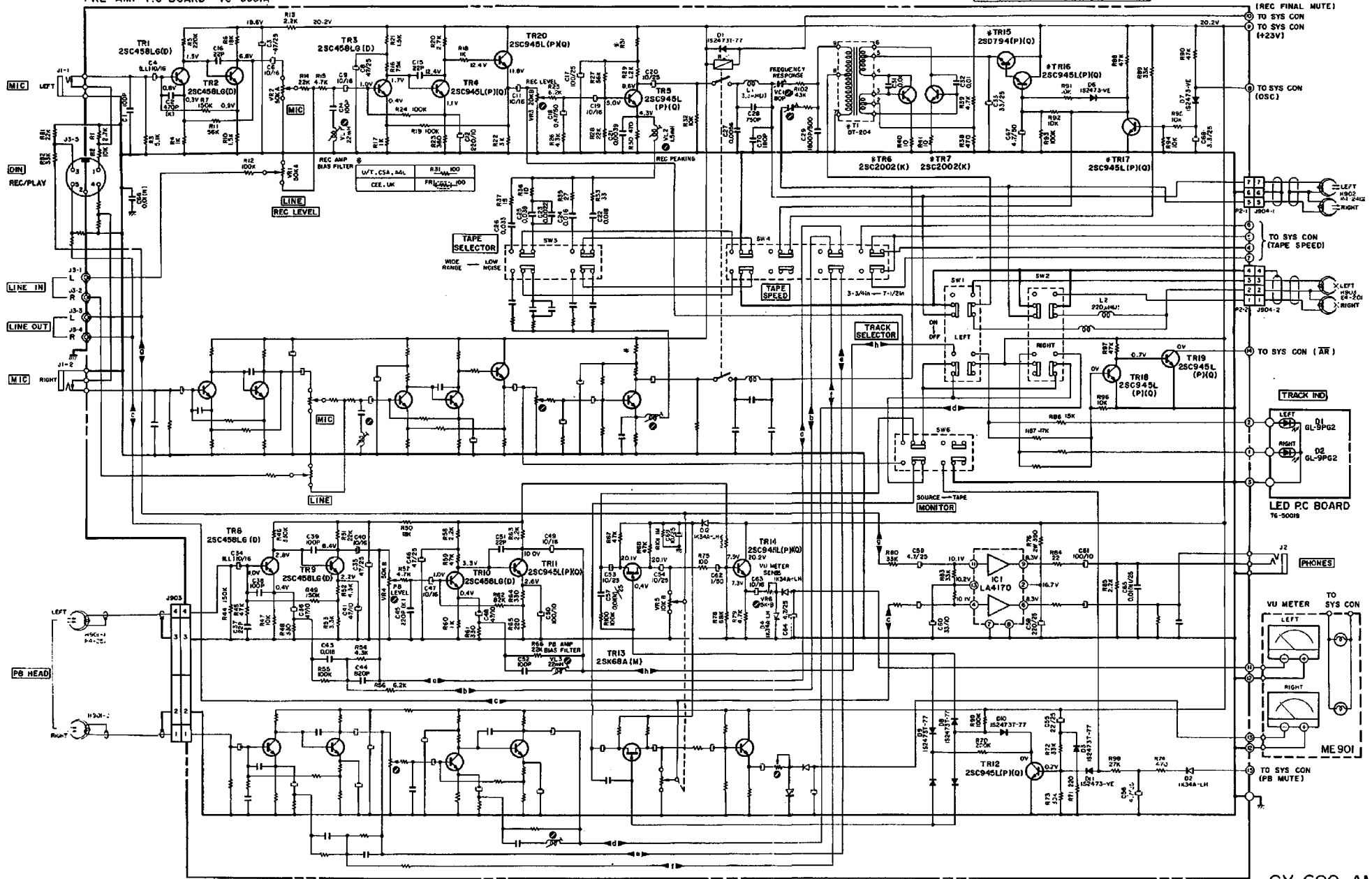


GX-620
POWER & SYS.CON
SCHEMATIC DIAGRAM
NO. 2-1 1582038A

P REL VOLTAGE		
	7-1/2in	3-3/4in
TR17	B 0.2V	0.2V
	C 17.2V	14.1V
TR16	E 15.1V	12.3V
	F 0.4V	0.5V
TR6,7	I 0.3V	0.6V
	J 11.6V	11.6V
T1	K 86.5VAC	84.5VAC
	L 111.2VAC	91.3VAC

PRE AMP P.C BOARD TG-5001A



- 6 C 8
- 25C40L6
- 25C40L
- 25C2002
- 25K68
- 25D794

NOTE
UNLESS OTHERWISE SPECIFIED:
ALL RESISTORS IN OHMS (Ω) UNLESS
SPECIFIED OTHERWISE IN OHMS (KΩ) OR
MΩ. CAPACITORS IN P.F. UNLESS
OTHERWISE SPECIFIED.

GX-620 AMP
SCHEMATIC DIAGRAM
NO.2-2 1582039A