

RESISTORS ARE 1/2 WATT UNLESS OTHERWISE SPECIFIED.
CAPACITIES IN MMFD
K = X 1,000

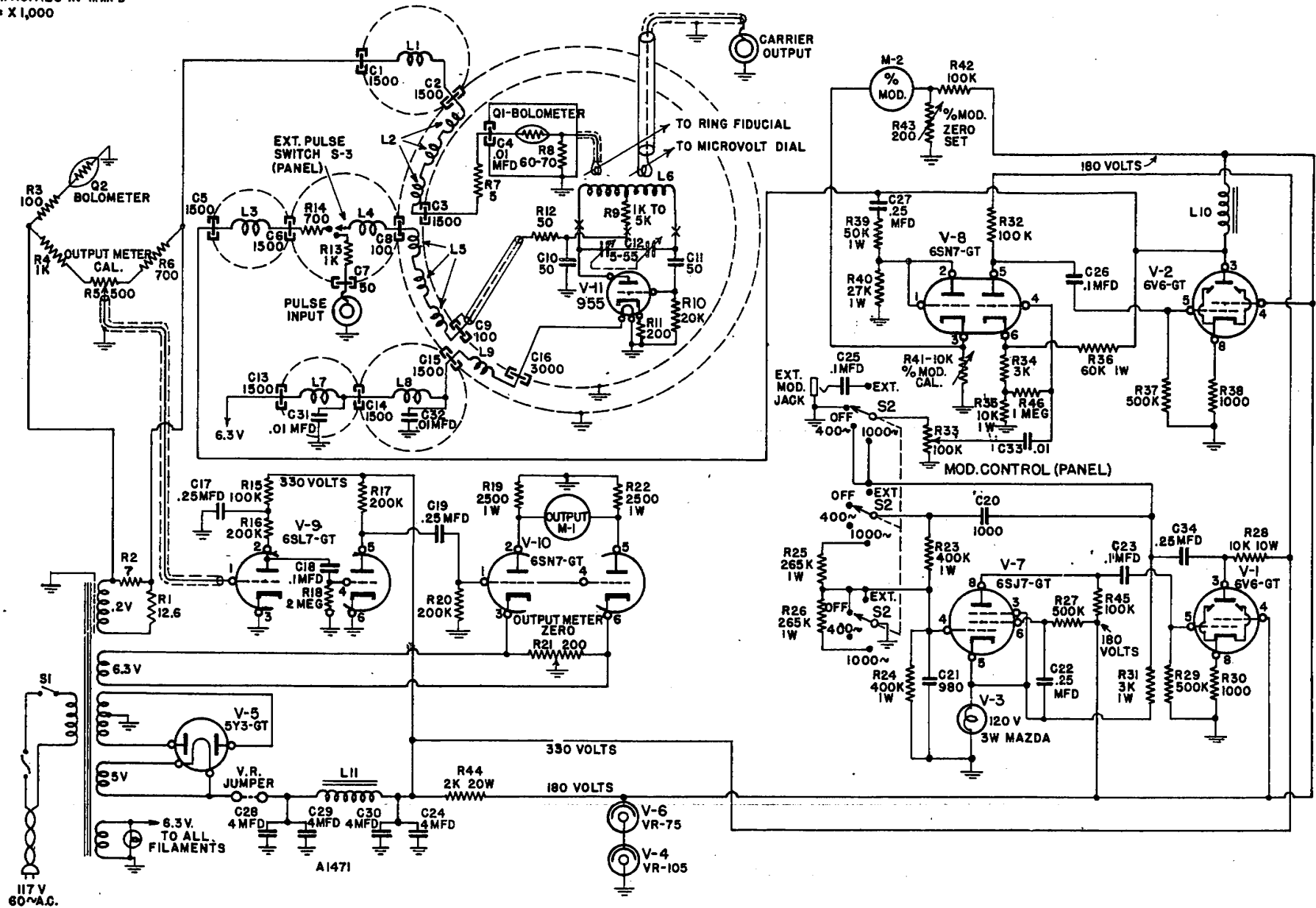


FIGURE 6-1—WIRING DIAGRAM

REVISED