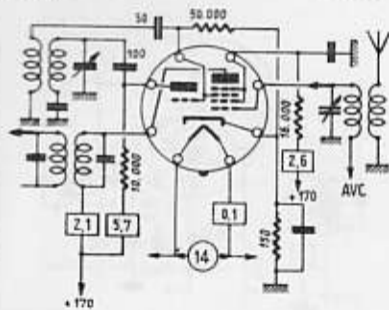


UCH42 / 14K7 (R)  
C(V)

$S_c = 0.67$   
 $P = 1M\Omega$   
 $V_{in} = 1.8-25$



UCH81 / 19D8 (N)  
C(V)

$S = 0.7$   
 $P > 1M\Omega$   
 $V = -2-24$

