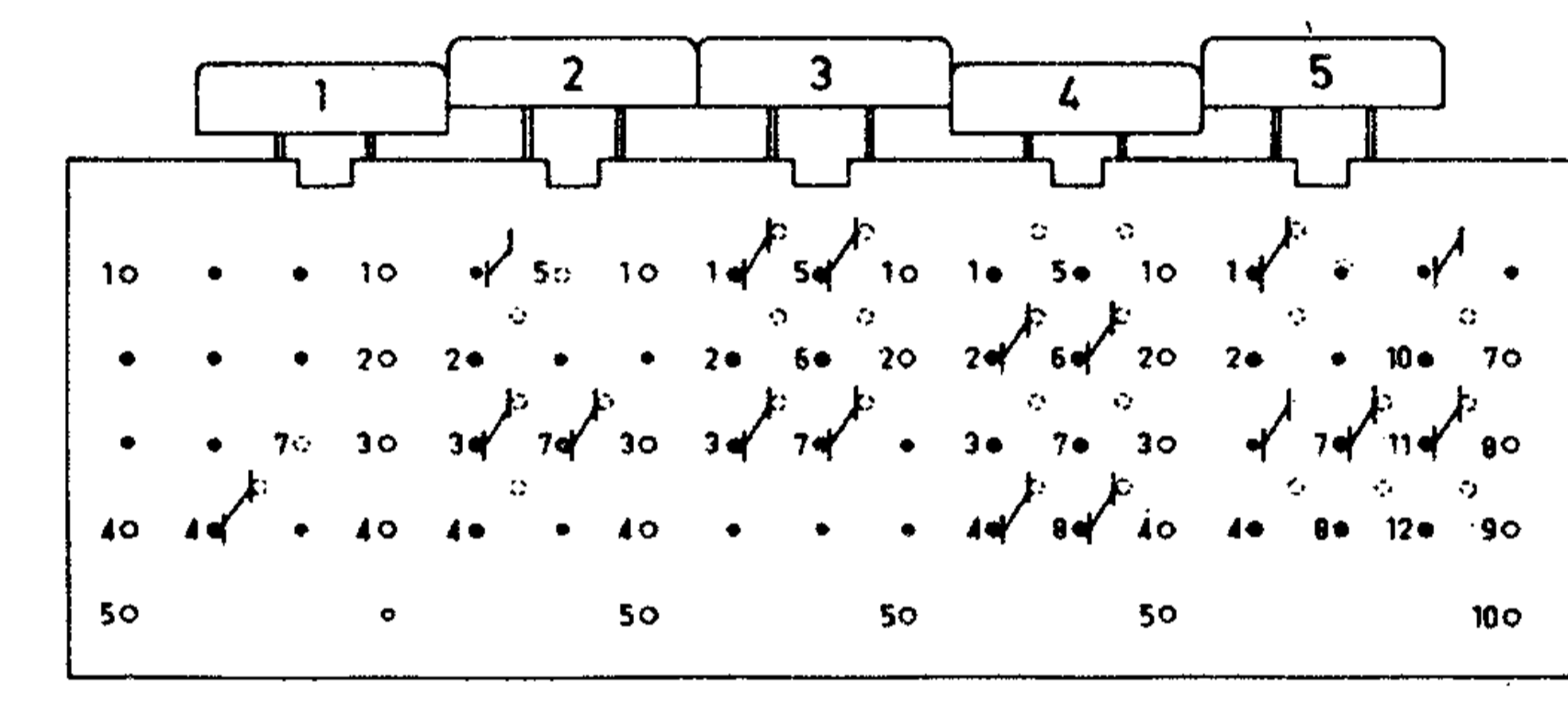
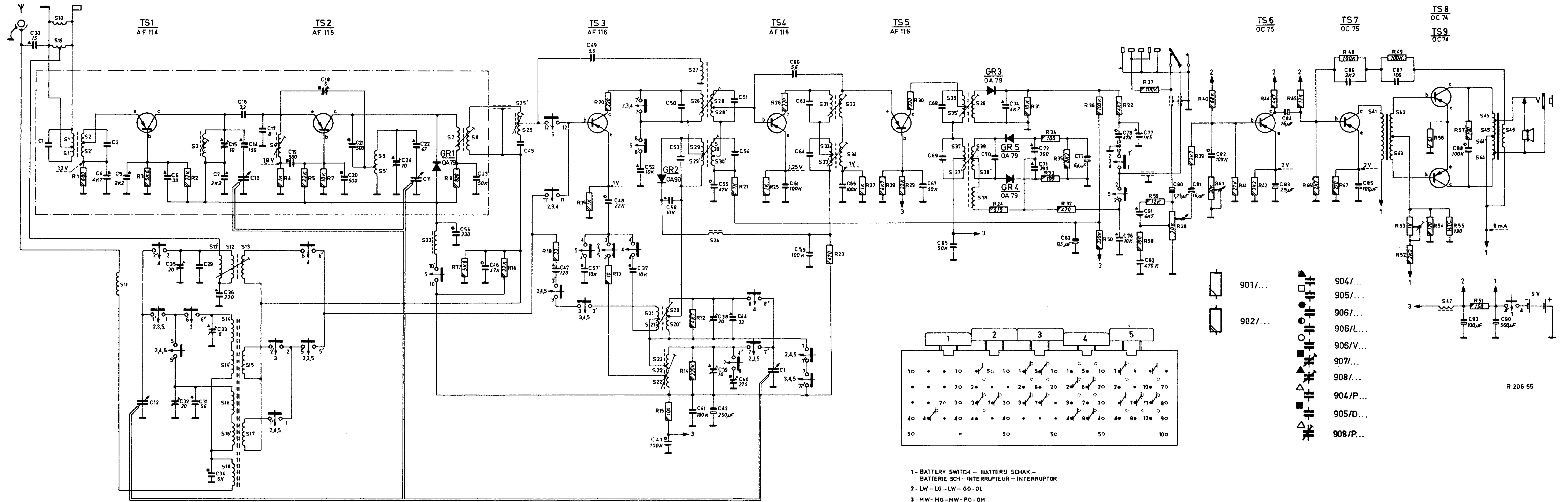
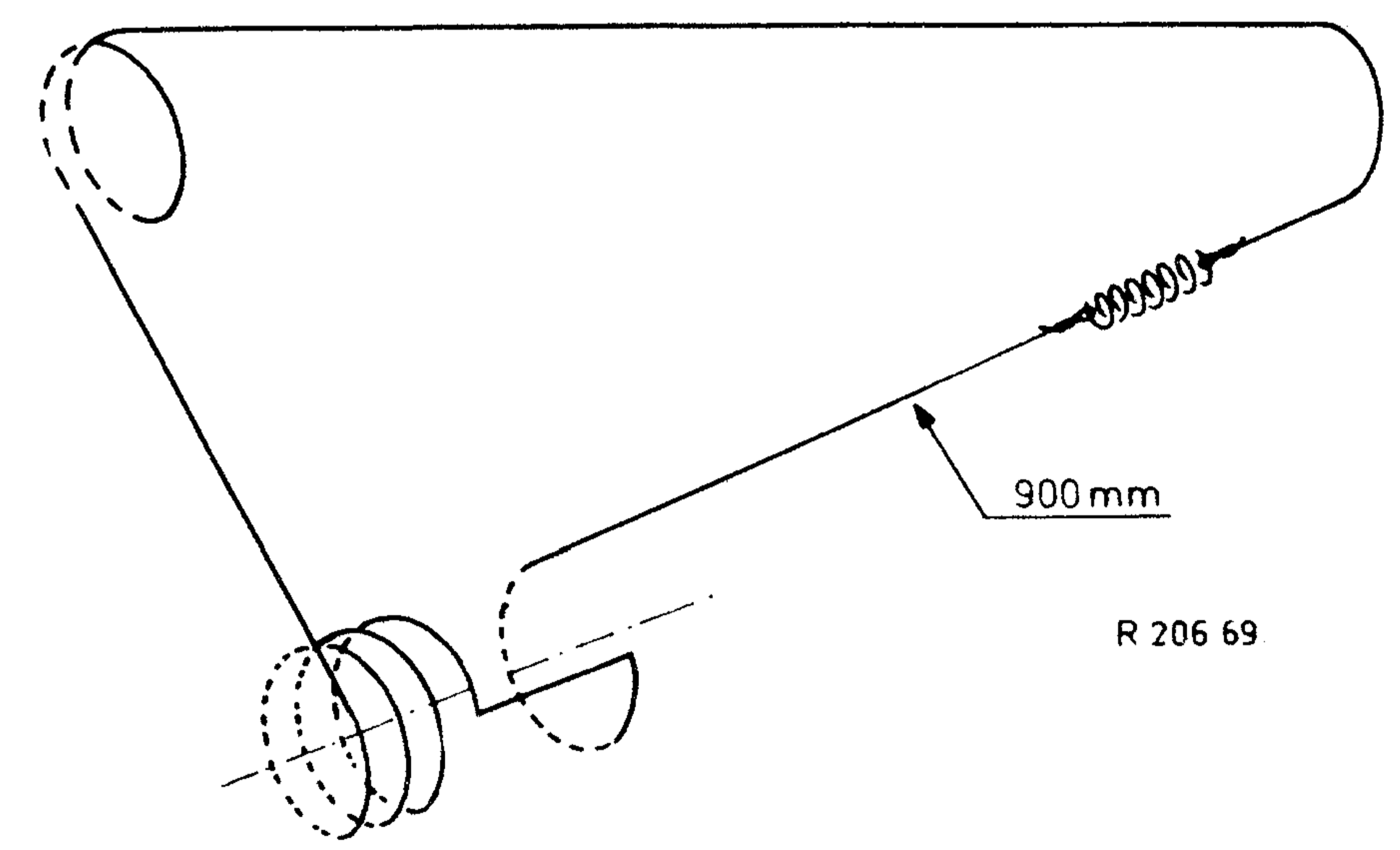
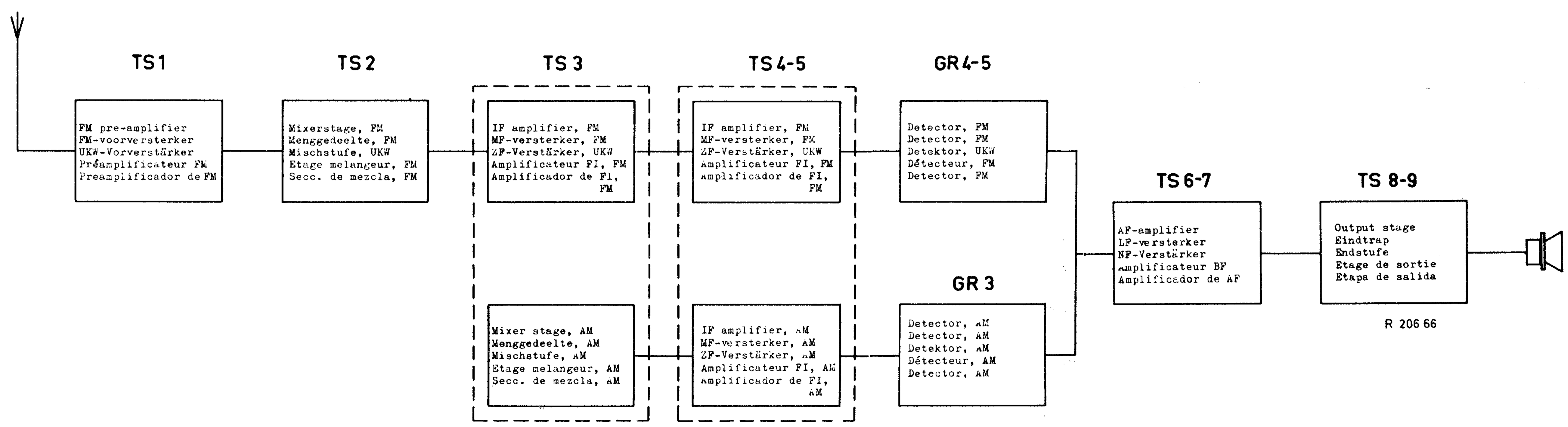
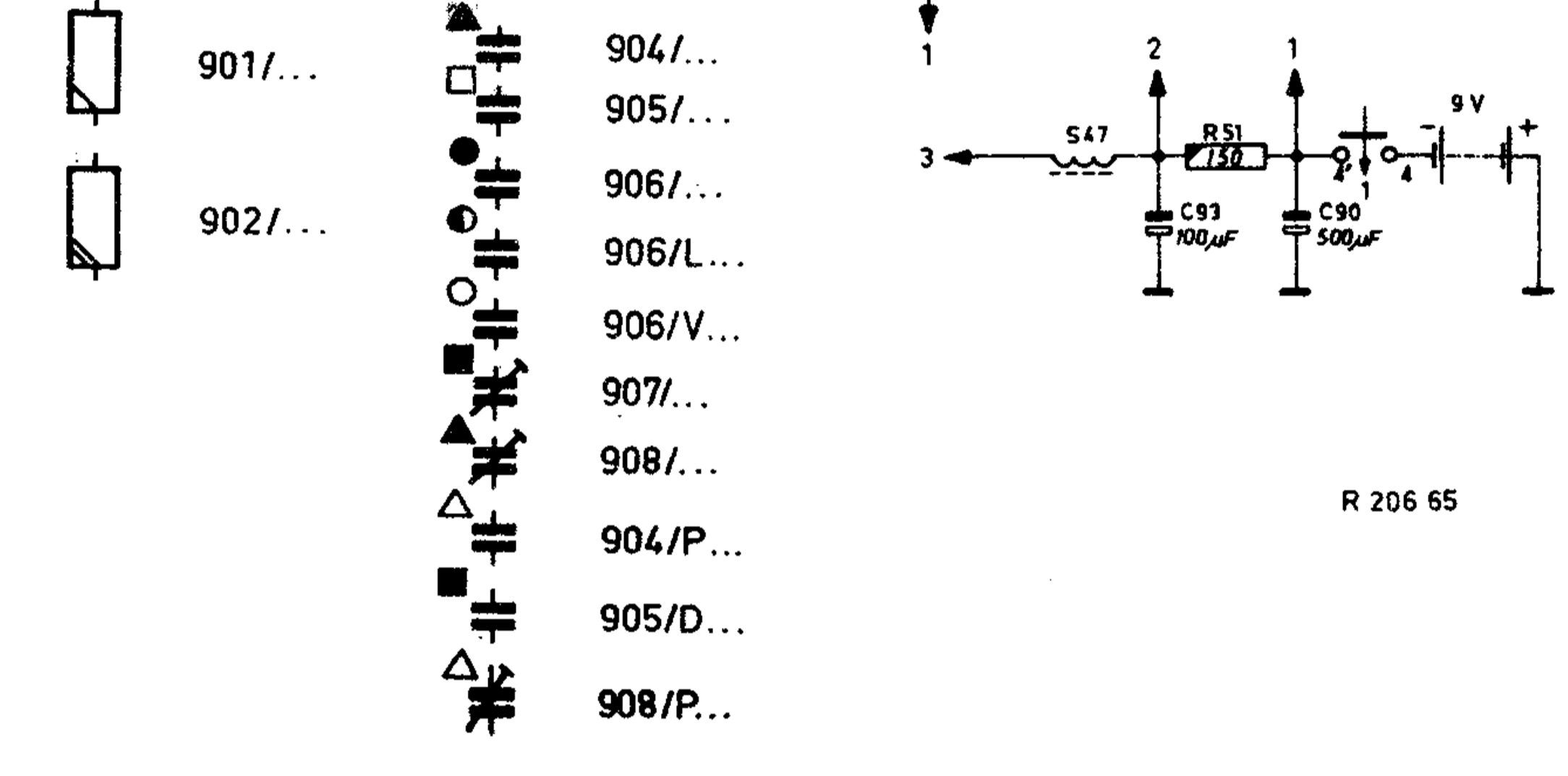


L4W22T

S	10, 18, 11, 2, 2'	11,	3	12, 13, 14, 14', 15, 16, 16', 17, 18, 4,	5, 5'	23,	7, 8,	25, 25,	31, 31', 22, 22', 20, 20', 26, 27, 28, 28', 29, 30, 30'	31, 33, 33', 32, 34,	35, 35', 37, 37', 36, 38, 38', 39,	41, 42, 42,	47,	45, 45', 44', 44, 46,														
C	30, 1,	2, 4, 5,	6,	35, 32, 31, 29, 33, 7, 36, 34, 15, 6, 14, 10, 12,	19,	18, 20, 21,	24, 22, 11,	56, 23, 46,	45,	47, 57, 49, 48,	37, 52,	58, 50, 53, 41,	55, 34, 79, 42, 51, 54, 44, 40, 1,	61, 60, 63, 64, 59,	66,	67, 68, 69,	70, 74,	72, 71,	62, 73,	78, 76,	77, 91, 92,	80, 81,	82,	83, 84,	86, 85,	87,	88, 93,	90,
R	1,	3,	2,	4,	5, 7,	8, 17,	16,	45,	18,	19, 20, 13,	15,	12, 14,	21,	25, 26,	23, 27,	28, 29, 30,	31,	34, 33, 35, 32,	36, 50,	22,	58, 59, 37, 38, 39,	40, 43, 41,	42,	44,	45, 46,	47, 48,	49, 53, 52, 54, 56, 55,	57, 51,



- 1- BATTERY SWITCH - BATTERU SCHAK - BATERIE SOK - INTERRUPTEUR - INTERRUPTOR
- 2- LW - LG - LW - GO - OL
- 3- MW - MG - MW - PO - OM
- 4- SW - KG - KW - OC - OC
- 5- FM - FM - UKW - FM - FM



R 206 69