

WAVETEK[®] **Meterman[™]**

Operator's Manual

FG2C/FG3C **Function Generator**

- Bedienungsanleitung
- Manual de Instrucciones
- Manuel d'Utilisation

Bench Instrument

FG2C/FG3C Function Generator

WARRANTY

The FG2C and FG3C Function Generators are warranted against any defects of material or workmanship within a period of one (1) year following the date of purchase of the Function Generator by the original purchaser or original user. Any Function Generator claimed to be defective during the warranty period should be returned with proof of purchase to a Wavetek authorized Service Center or to the local Wavetek dealer or distributor where the Function Generator was purchased. See maintenance section for details. Any implied warranties arising out of the sale of a Wavetek Function Generator, including but not limited to implied warranties of merchantability and fitness for a particular purpose, are limited in duration to the above stated one (1) year period. Wavetek shall not be liable for loss of use of the Function Generator or other incidental or consequential damages, expenses, or economical loss or for any claim or claims for such damage, expenses or economical loss. Some states do not allow limitations on how long implied warranties last or the exclusion or limitation of incidental or consequential damages, so the above limitations or exclusions may not apply to you. This warranty gives you specific legal rights, and you may also have other rights that vary from state to state.

CERTIFICATIONS AND PRECAUTIONS

This instrument is EN61010-1:1993 certified for Installation Category II, Pollution Degree II. All inputs are protected against continuous overload conditions up to the limits of each function's stated input protection (see specifications). Never exceed these limits or the ratings marked on the instrument itself. Always inspect your Function Generator, test leads and accessories for signs of damage or abnormality before every use. If an abnormal condition exists (broken or damaged test leads, cracked case, display not reading, etc.), do not use. Never ground yourself when taking measurements. Do not touch exposed metal pipes, outlets, fixtures, etc., which might be at ground potential. Keep your body isolated from ground and never touch exposed wiring, connections, test probe tips, or any live circuit conductors. Do not operate instrument in an explosive atmosphere (flammable gases, fumes, vapor, dust.) Do not use this or any piece of test equipment without proper training.



DANGER High Voltage



WARNING: To avoid electrical shock, the power cord protective grounding conductor must be connected to ground.



ATTENTION Refer to Manual



CAUTION: To avoid damaging the instrument, do not use it in a place where ambient temperature exceeds 40°C.



Protective Conductor Terminal



CAUTION: To avoid damaging the instrument, do not input more than 15VDC to VCF.



Frame or Chassis Terminal



CAUTION: To avoid damaging the instrument, do not input more than 150VAC to Frequency Counter (FG3C only).



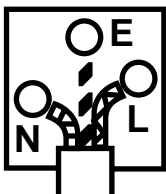
CAUTION: To avoid damaging the instrument, do not input more than 10Vpp during EXT modulation operation (FG3C only).

FOR UNITED KINGDOM ONLY

NOTE: This lead/appliance must only be wired by competent persons

WARNING: THIS APPLIANCE MUST BE EARTHED

IMPORTANT: The wires in this lead are coloured in accordance with the following code:



Green/Yellow Earth

Blue Neutral

Brown: Live (Phase)

As the colours of the wires in main leads may not correspond with the colours marking identified in your plug/appliance, proceed as follows:

The wire which is coloured Green & Yellow must be connected to the Earth terminal marked with the letter E or by the earth symbol \oplus or coloured Green or Green & Yellow.

The wire which is coloured Blue must be connected to the terminal which is marked with the letter N or coloured Blue or Black.

The wire which is coloured Brown must be connected to the terminal marked with the letter L or P or coloured Brown or Red.

If in doubt, consult the instructions provided with the equipment or contact the supplier. This cable/appliance should be protected by a suitably rated and approved HBC mains fuse : refer to the rating information on the equipment and/or user instructions for details. As a guide, cable of 0.75mm should be protected by a 3A or 5A fuse. Larger conductors would normally require 13A types, depending on the connection method used.

Any moulded mains connector that requires removal /replacement must be destroyed by removal of any fuse & fuse carrier and disposed of immediately, as a plug with bared wires is hazardous if engaged in a live socket. Any rewiring must be carried out in accordance with the information detailed on this label.

CONTENTS

	page		page
Warranty	1	Control Descriptions	5
Certifications and Precautions	1	Using the Function Generator	5
Safety Information	1	Maintenance and Repair	8
Introduction	2	Specifications	9

PREPARATION FOR USE – UNPACKING

Your shipping carton should include the Function Generator, 1 meter long BNC to mini- alligator clip test lead, one power cord, one spare fuse, and this manual. If any of the items are damaged or missing, immediately return the complete package to the place of purchase for an exchange.

INTRODUCTION

The FG2C and FG3C Function Generators are stable low distortion instruments that generate sine, triangle, and square waveforms in frequencies up to 3 MHz. The FG2C has amplitude, offset, and duty cycle controls. The outputs are Main(50Ω) and logic(TTL and CMOS). The FG3C has the same capabilities plus internal Sweep(Log/Linear), Modulation (AM/FM), external VCF/MOD and counter inputs and GCV output. The counter can be switched to measure and display the frequency of an external signal up to 150 MHz.

FEATURES COMPARISON TABLE FOR MODELS:

FEATURE / MODEL	FG2C	FG3C
AM/FM modulation	na	X
SWEEP control	na	X
COUNTER input	na	X
GCV Output	na	X
TTL/CMOS output	X	X
VCF input	X	X
Duty Cycle Control	X	X

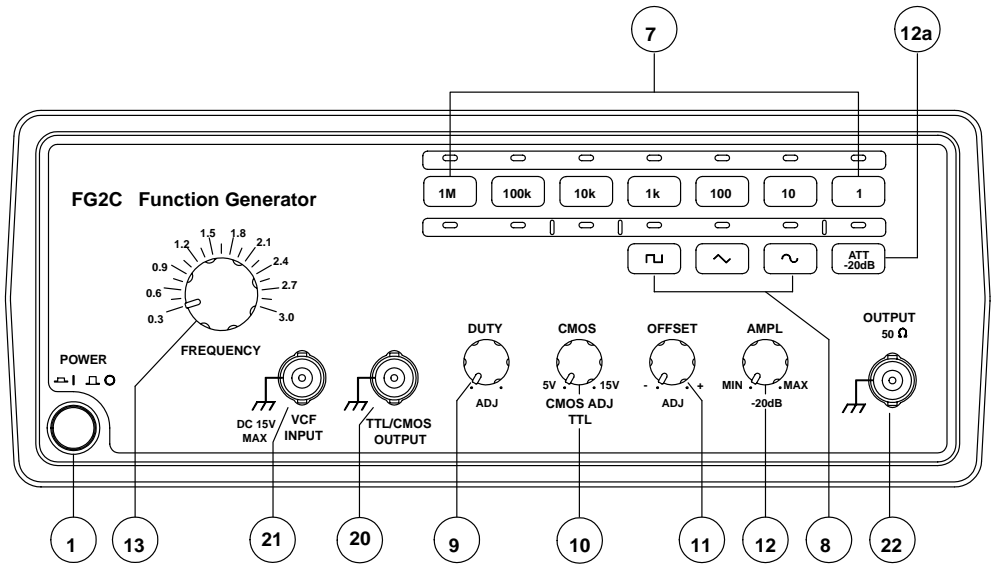


Fig. 1 FG2C Front Panel

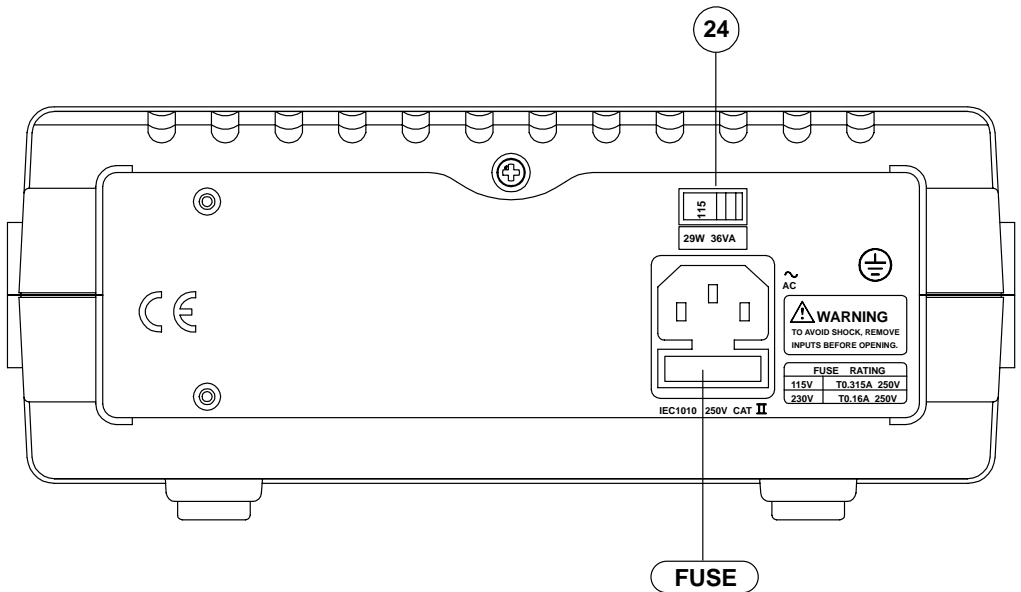


Fig. 2 FG2C Rear Panel

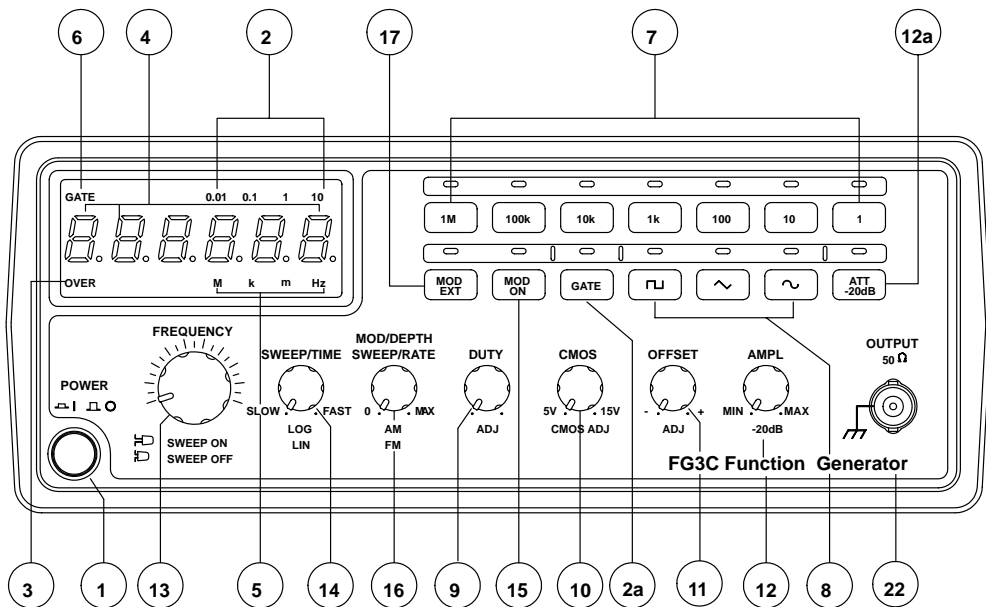


Fig. 3 FG3C Front Panel

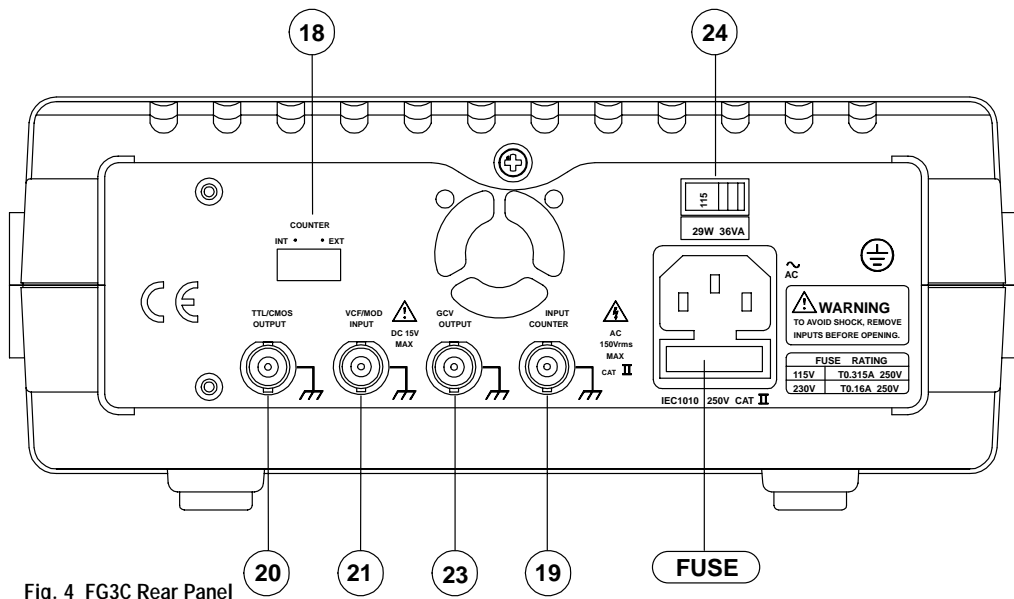


Fig. 4 FG3C Rear Panel

CONTROL DESCRIPTIONS

FRONT PANEL

1. **Power Switch**
Applies line power to the FG2C\FG3C power supply.
2. **Gate Time Indicator**
Gate interval indicator (the gate interval of internal counter is 0.01 second).
- 2a. **Gate Time Selector**
Press this button to change gate time when use EXternal counter mode. The sequence is 0.01s, 0.1s, 1s, or 10s selected by pressing this button.
3. **Over Range Indicator**
In the external counter mode, the indicator is illuminated when the output frequency is greater than the range selected.
4. **Counter Display**
Shows the external frequency via a 6 digit green display, and the internal frequency via a 5 digit green display.
5. **Frequency Indicator**
Indicates the current frequency value multiplier.
6. **Gate Time Indicator**
Flashes at the beginning of each gating interval.
7. **Frequency Range Selector**
Select the required frequency range by pressing the relevant push button on the panel as shown in Table 1 .

Push button	Frequency Range
1	0.3Hz to 3Hz
10	3Hz to 30Hz
100	30Hz to 300Hz
1k	300Hz to 3kHz
10k	3kHz to 30kHz
100k	30kHz to 300kHz
1M	300kHz to 3MHz

8. **Function Selector**
Press one of the three push buttons to select the desired output waveform.
9. **Duty Function**
Pull out and rotate the knob to adjust the duty cycle of the waveform.
10. **TTL/CMOS Selector**
When the knob is in, the **BNC terminal of (20)** will output a TTL compatible waveform. If the knob is out, rotating the knob will adjust the CMOS compatible output (5 -15Vpp) at the **BNC (20) terminal** .
11. **DC Offset Control**
Pull out the knob to select any DC level of the waveform between $\pm 10V$., turn the knob clockwise to select a positive DC offset level of the waveform and counterclockwise for a negative DC offset level of the waveform.
12. **Output Amplitude Control with Attenuation Operation**
Turn clockwise for MAX. output and counterclockwise for MIN output. Pull the knob out for additional 20dB output attenuation.
- 12a. **20dB Attenuation**
Press the button to reduce the output by 20dB .
13. **FREQ/SWEEP Selector and Frequency Adjustment**
(Sweep On/Off): Turn clockwise the knob clockwise for MAX frequency and counterclockwise for MIN frequency. (Keep the knob pointer within the scale range on the panel). Pull out the knob to start the auto sweep operation; the upper frequency limit is determined by the knob position.

14 SWEEP/TIME

Control and LIN/LOG Selector:

- (1) Rotate the knob clockwise to adjust sweep time for MAX, or counterclockwise for MIN.
- (2) Select Linear sweep mode by pushing in the knob or LOG sweep mode by pulling out the knob.

15. MOD ON/off Selector

Press the button once, the indicator will light, and the output will be modulated by internal 400Hz sinewave or press the button again, the indicator will be off, and the output will be modulated an external signal via **VCF/MOD** in connector **(21)**.

16. MOD/DEPTH

SWEEP RATE and AM/FM Selector:

- (1) Sweep width can be controlled from 0 to 1000 times.
- (2) Adjust modulation ratio by turning the knob clockwise for MAX, or counterclockwise for MIN.
- (3) Select AM(amplitude modulation) mode by pushing in the knob or FM(frequency modulation) mode by pulling out the knob.

17 MOD EXT

Selector: Press the button once, the indicator will light, and EXTERNAL MODULATION is selected. Press the button again, the indicator will be off, and INT MODULATION is selected.

FRONT or REAR PANEL

18. INT/EXT Counter Switch

Select internal counter mode (count the frequency of the FG3C output) or select EXT counter mode for an independent counter (input signal from **BNC (19) terminal**).

19. EXT. Counter Input Terminal: Accepts external signals for measurement.

20. TTL/CMOS Output Terminal

TTL/CMOS compatible signal output

21. VCF/MOD

Input Terminal: Connector for the input voltage required to perform the "voltage control frequency" operation or the EXT modulation operation.

22. Main Output Terminal

Main signal output.: The Output signal is calibrated for a 50 Ω load.

23. GCV Output

This is a DC voltage output and its voltage level will follow the change of Frequency.

24. 115/230 Switch

This switch selects the mains power voltage.

The functions of items 2, 2a, 3, 4, 5, 6, 14, 15, 16, 17, 18, 19, and 23 do not apply to model FG2C.

USAGE PROCEDURES

The following section describes the basic setup and controls for operating the functions of this instrument.

One of the best ways to observe waveforms is to connect the function generator to an Oscilloscope. Observe the effects that different controls have on the waveforms displayed on the Oscilloscope when proceeding with the following steps:

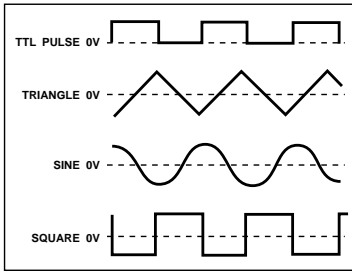
First-step check:

- (1) Ensure that the **mains voltage switch (24)** on the rear panel of this instrument of is compatible with the mains supply. Connect the instrument to the mains supply using the power cord supplied.
- (2) Press **PWR (1)** switch, ensure all the rotary knobs are pushed in, and rotate the **AMPL (12)** knob to fully counterclockwise.
- (3) Rotate the **FREQ (13)** control fully counterclockwise.

Triangle, square, and sine waves

- (1) Select the **Function (8)**, select the **Range (7)**, and rotate the **FREQUENCY (13)** knob to set the required frequency (read output in **display window (4)**).
- (2) Connect the **Output 22)** terminal to the oscilloscope for observing the waveform signal.
- (3) Rotate the **AMPL (12)** knob to control the waveform amplitude.
- (4) If attenuation of the output signal is required, pull out the **AMPL (12)** knob to obtain 20dB attenuation or press the **ATT -20dB (12a)** button for additional 20dB attenuation..
- (5) The phase-relation of Output waveform and TTL output is shown in Figure 5 below:

Figure 5



Pulse wave generation

- (1) Press the **Function (8)** button (\square), select the **Range (7)**, and rotate the **FREQUENCY (13)** knob to set the frequency.
- (2) Connect the **OUTPUT terminal (22)** to the oscilloscope for observing the output signal.
- (3) Pull out and rotate the **Duty (9)** knob to adjust the width of pulse waveform.
- (4) Adjust the **AMPL (12)** knob to control the pulse amplitude.
- (5) Pull out the **AMPL (12)** knob to attenuate the output signal by 20dB.

Ramp wave generation

- (1) Press the **Function (8)** button (\wedge), select the **Range (7)**, rotate the **FREQUENCY (13)** knob to set the frequency.
- (2) Connect the **OUTPUT terminal (22)** to the oscilloscope for observing the output signal.
- (3) Pull out and rotate the **Duty (9)** knob to adjust the slope of ramp waveform.
- (4) Adjust the **AMPL (12)** knob to control output amplitude of ramp waveform.
- (5) Pull out the **AMPL (12)** knob to attenuate the output signal by 20dB.

TTL/CMOS signal output

- (1) Select the **Range (7)**, and rotate the **FREQUENCY (13)** knob to set the frequency.
- (2) Connect BNC connector of **TTL/CMOS (20)** to oscilloscope to observe the output signal.
- (3) The output is a square waveform fixed at TTL level, suitable for general TTL integrated circuits.
- (4) If a square waveform of CMOS level is required, pull out the **CMOS (10)** knob and adjust to required voltage levels.

Variation of external voltage-controlled frequency(VCF)

This mode of operation allows the user to adjust the frequency of the Function Generator with an external DC control Voltage.

- (1) Select the **Function (8)**, select the **Range (7)**, and rotate the **FREQUENCY (13)** knob to set the required frequency.
- (2) Connect external control voltage ($0\pm 10VDC$) to the **VCF (21)** terminal via a suitable lead, and observe the signal generated from the **Output (22)** BNC terminal.
- (3) Other adjustments; the **AMPL (12)** knob can change the amplitude of signal, or attenuate the signal; the **Offset (11)** knob is for DC level changes, rotate the **Duty (8)** knob to change the output ratio of pulse or ramp waveform ...etc..

Auto Sweep

- (1) Select the **Function (8)** button, select the **Range (7)**, and rotate the **FREQUENCY (13)** knob to set the required base frequency.
- (2) Connect the **OUTPUT terminal (22)** to the oscilloscope for observing the OUTPUT signal.
- (3) Rotate the **FREQUENCY (13)** knob to determine the upper limit frequency.
- (4) Pull out the **FREQUENCY (13)** knob to activate auto sweep operation.
- (5) Rotate the **SWEEP/TIME (14)** knob and **SWEEP RATE (16)** knob to adjust sweep time and rate.
- (6) The LOG sweep mode is selected by pulling out the **SWEEP/TIME (14)** knob.

Note: The sweep width can only be adjusted during the sweep cycle and it cannot be stopped.

AM/FM operation

- (1) Select the **Function (8)**, select the **Range (7)**, rotate the **FREQUENCY (13)** knob to set required frequency.
- (2) Connect **OUTPUT terminal (22)** to the oscilloscope for observing the output signal.
- (3) For the FM modulation mode, press the **MOD (15)** button and pull out the **MOD/DEPTH (16)** knob.
- (4) For the AM modulation mode, press the **MOD (15)** button and push in the **MOD/DEPTH (16)** knob.
- (5) Adjust the **MOD/DEPTH (16)** knob to achieve required modulation ratio.

PRECAUTION ITEMS

- (1) The **DC OFFSET (11)** knob, will provide a DC level voltage of $\pm 10V$ (no load) or $\pm 5V$ (50Ω load). However, the signal amplitude plus the DC level, is limited to $\pm 20V$ (no load) or $\pm 10V$ (50Ω load). In case of over voltage, clipping will appear as shown in Figure 6.
- (2) The main OUTPUT terminal is calibrated into a 50Ω load. This indicates that the signal source impedance is 50Ω . The OUTPUT terminal may be connected to any circuit input impedance, but output the voltage and terminal impedance will not be calibrated. To avoid oscillation, the OUTPUT terminal should be connected to a 50Ω load (especially when using high frequency and square wave output), and the connecting cable should be as short as possible.
- (3) When the DUTY knob is full counterclockwise, the ratio of positive state to negative state, should not be less than 80:20. When the DUTY knob is full clockwise, the ratio of positive state to negative state, should not be greater than 20:80. Square waves can be expanded to pulse waves, triangle waves can be expanded to ramp waves, sine waves can be expanded to unsymmetrical sine waves. The Figure 7 shows the effect of the DUTY control adjustment on different waveforms.

Figure 6

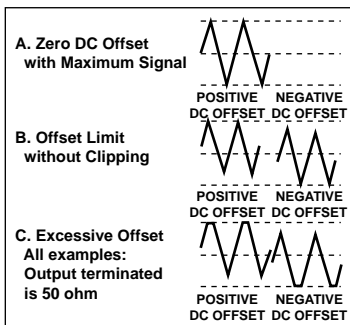
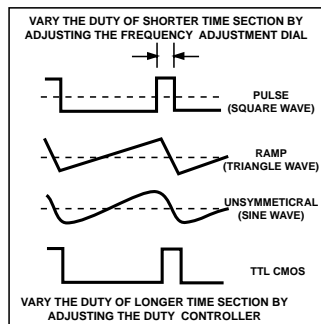


Figure 7



FUSE REPLACEMENT (See Figs. 2 and 4)

Preliminary: Disconnect test leads from circuit and Function Generator. Push Power Switch off and unplug the power cord from the rear of the Function Generator.

Warning: Failure to turn off and remove power from the Function Generator before changing the mains power fuse could result in damage to the instrument and the operator.

Fuse replacement: Remove the fuse by inserting a small flat blade screwdriver into the notch at the bottom of the mains power connector socket. Slide the fuse holder out. Replace the fuse with one of the following:

115 VAC 50/60 Hz: T0.315A/250V fuse (5mm x 20mm), I.R. 100KA – Wavetek p/n 2400-05-0069, Littell Fuse p/n 218.315, or Bussmann p/n. GDC-315mA.

230 VAC 50/60 Hz: T0.160A/250V fuse (5mm x 20mm), I.R. 100KA – Wavetek p/n 2400-05-0070, Littell Fuse p/n 218.160, or Bussmann p/n. GDC-160mA.

Warning: Use only an equivalent fuse to the one specified. Use of an incorrect fuse could result in serious injury or even death.

Reassembly: Slide the fuse holder back into the fuse cavity and reconnect the power cord.

MAINTENANCE & REPAIR

If there appears to be a malfunction during the operation of the Function Generator, the following steps should be performed in order to isolate the cause of the problem: ① Review the operating instructions for possible mistakes in operating procedure. ② Inspect and test the Test Cables for a broken or intermittent connection. ③ Inspect and test the fuse. See Fuse Replacement. Except for the replacement of the fuse, or test cables, repair of the Function Generator should be performed only by a Factory Authorized Service Center or by other qualified instrument service personnel. The front panel and case can be cleaned with a mild solution of detergent and water. Apply sparingly with a soft cloth and allow the function generator to dry completely before using. Do not use aromatic hydrocarbons or chlorinated solvents for cleaning.

in U.S.A.
 Wavetek Meterman
 1420 75th Street SW
 Everett, WA 98203
 Tel: (877) 596-2680
 Fax: (425) 446-6390

in Canada
 Wavetek Meterman
 400 Britannia Rd. E. Unit #1
 Mississauga, ON L4Z 1X9
 Tel: (905) 890-7600
 Fax: (905) 890-6866

in Europe
 Wavetek Meterman
 52 Hurricane Way
 Norwich, NR6 6JB, U.K.
 Tel: int + 44-1603-404824
 Fax: int + 44-1603-482409

SPECIFICATIONS

	FG2C	FG3C
1. Main		
Frequency Range	0.3 Hz to 3 MHz (7 Range)	0.3 Hz to 3 MHz (7 Range)
Amplitude	>10Vpp (into 50Ω load)	>10Vpp (into 50Ω load)
Impedance	50Ω ±10%	50Ω ±10%
Attenuator	-20dB ±1dB x2	-20dB ±1dB x2
DC Offset	<-5V to >+5V (into 50Ω load)	<-5V to >+5V (into 50Ω load)
Duty Cycle Control	80%:20%:80% to 1MHz Continuously variable	80%:20%:80% to 1MHz Continuously variable
LED Display	N/A	6 digits; 7.6mm (0.3 in) high
Range Accuracy	±5% +1 Hz (at 3.0 position)	N/A
2. Sine Wave		
Distortion	≤1 %, 0.3 Hz to 200 kHz THD ≤35dB below fundamental in all ranges (Specification applied from MAX. to 1/10 level)	≤1 %, 0.3 Hz to 200 kHz THD ≤35dB below fundamental in all ranges (Specification applied from MAX. to 1/10 level)
Flatness	< 0.3dB, 0.3 Hz to 300 kHz < 0.5dB, 300 kHz to 3 MHz	< 0.3dB, 0.3 Hz to 300 kHz < 0.5dB, 300 kHz to 3 MHz
3. Triangle Wave		
Linear	≥ 98 %, 0.3 Hz to 100 kHz ≥ 95 %, 100 kHz to 3 MHz	≥ 98 %, 0.3 Hz to 100 kHz ≥ 95 %, 100 kHz to 3 MHz
4. Square Wave		
Symmetry	±2%, 0.3 Hz to 100 kHz	±2%, 0.3 Hz to 100 kHz
Rise or Fall Time	≤ 100ns at maximum output. (into 50Ω load)	≤ 100ns at maximum output. (into 50Ω load)
5. CMOS Output		
Level	4Vpp ±1Vpp to 14.5Vpp ±0.5Vpp adjustable	4Vpp ±1Vpp to 14.5Vpp ±0.5Vpp adjustable
Rise or Fall Time	≤ 120ns	≤ 120ns
6. TTL Output		
Level	≥ 3Vpp	≥ 3Vpp
Fan Out	20 TTL load	20 TTL load
Rise or Fall Time	≤ 25ns	≤ 25ns
7. VCF		
Input voltage	0 to 10V ±1V(100:1)	0 to 10V ±1V(100:1)
Input Impedance	10kΩ ±10%	10kΩ ±10%
8. GCV		
Output voltage	N/A	To set the voltage between 0 to 2V as per different frequency.

FG2C**FG3C****9. Sweep Operation**

Sweep/Manual	N/A	Switch selector
Sweep/Rate	N/A	100:1 ratio max. and adjustable
Sweep/Time	N/A	0.5 Sec to 30 Sec adjustable
Sweep/Mode	N/A	Lin./Log. switch selector

10. Amplitude Modulation

Depth	N/A	0 to 100%
MODulation Frequency	N/A	400 Hz (INT), DC to 1 MHz (EXT)
Carrier BW	N/A	100 Hz to 3 MHz (-3dB)
EXT Sensitivity	N/A	≤10Vpp for 100 % modulation

11. Frequency Modulation

Deviation	N/A	0 to ±5%
Modulation Frequency	N/A	400Hz (INT), DC to 20 kHz (EXT)
EXT Sensitivity	N/A	≤10Vpp for 10% modulation

12. Frequency Counter

Int./Ext.	N/A	Switch selector
Range	N/A	0.3 Hz to 3 MHz (5 Hz to 150 MHz EXT)
Accuracy	N/A	Time base accuracy ±1count
Time base	N/A	±20ppm (23°C ±5°C) after 30 minutes warm up
Resolution	N/A	The maximum resolution is 10 nHz for 1Hz and 1 kHz for 100MHz
Input Impedance	N/A	1MΩ/150pf
Sensitivity	N/A	≤ 35mVrms (5Hz to 100MHz) ≤ 45m Vrms (100MHz to 150MHz)

13. General

LED Display	N/A	6 digits; 7.6mm (.3 in) high
Power Source	115, 230VAC ±15%, 50/60Hz	115, 230VAC ±15%, 50/60Hz
Operation Environment	Indoor use, Altitude up to 2000m. Ambient Temperature 0°C to 40°C Relative Humidity 80%(maximum). EN61010-1, Installation category II, Pollution Degree 2	
Storage Temperature & Humidity	-10 °C to 70°C @ 70% R.H.(maximum).	
Accessories	1 each RTL-1, Instruction Manual, Spare Fuse	2 each RTL-1, Instruction Manual, Spare Fuse
Dimension	243(w) x 93(H) x 292(D) mm	
Weight	Approx. 2.0 kgs.	Approx. 2.2 kgs.
Safety:	Meets EN61010-1:1993. Installation category II Pollution degree 2	



EMC: This product complies with requirements of the following European Community Directives: 89/336/EEC (Electromagnetic Compatibility) and 73/23/EEC (Low Voltage) as amended by 93/68/EEC (CE Marking). However, electrical noise or intense electromagnetic fields in the vicinity of the equipment may disturb the measurement circuit. Measuring instruments will also respond to unwanted signals that may be present within the measurement circuit. Users should exercise care and take appropriate precautions to avoid misleading results when making measurements in the presence of electronic interference.

Funktionsgeneratoren FG2C/FG3C

GEWÄHRLEISTUNG

Die Funktionsgeneratoren FG2C und FG3C sind ab Kaufdatum gegen Material- und Herstellungsfehler gewährleistet für die Dauer von einem (1) Jahr. Ein Funktionsgenerator der während der Gewährleistungsperiode reparaturbedürftig wird soll mit Kaufnachweis zu einer Wavetek anerkannten Service Stelle oder zum Wavetek Händler, wo das Gerät gekauft wurde, gebracht/geschickt werden. Siehe Abschnitt 'Wartung und Reparatur' für Einzelheiten. Irgendwelche implizierte Gewährleistungen welche aus dem Kauf eines Wavetek Funktionsgenerators fortfließen, einschließlich, jedoch nicht beschränkt auf Verkäuflichkeit oder Nutzbarkeit zu einem bestimmten Zweck, sind in der Dauer auf ein (1) Jahr beschränkt. Wavetek ist nicht ansprechbar für Gebrauchsverlußt oder andere Folgeschäden und verbundene Kosten und Ausgaben. Verschiedene Staten und Länder erlauben keine Beschränkungen auf Folgeschäden oder deren Ausschluß. Deshalb sind diese Beschränkungen vielleicht nicht für Sie zupaßbar. Diese Gewährleistung gibt Ihnen bestimmte Rechte. Vielleicht haben Sie, je nach Staat oder Land, auch noch andere Rechte.

Zertifizierungen und Vorsichtsmaßnahmen

Dieses Gerät ist EN61010-1:1993 zertifiziert für Installationsklasse II, Pollutionsgrad 2. Alle Eingänge sind gegen dauerhafte Überbelastung geschützt, bis zur Grenze welche je Funktion in den Spezifikationen angegeben oder auf dem Gerät markiert ist (Siehe Spezifikationen). Überschreiten Sie niemals diese Grenzen. Prüfen Sie Ihren Funktionsgenerator, Meßkabel und Zubehör vor jeder Messung. Im Problemfall (gebrochene oder beschädigte Meßkabel, gerissenes Gehäuse, keine Anzeige), Gerät nicht verwenden. Vermeiden Sie, beim Vornehmen einer Messung, jeden Kontakt mit Erdpotential. Berühren Sie keine Metallteile, Leiter, usw. Isolieren Sie sich gegenüber Erde (Kleidung, Schuhe, Teppich). Verwenden Sie das Gerät nicht in einer explosiven Umgebung (entflammare Gase, Dampf, Staub). Verwenden Sie dieses, oder andere Meßgeräte nicht ohne entsprechende Ausbildung.



GEFAHR Hohe Spannung



WARNUNG: Um elektrischen Schlag zu vermeiden, Schutzleiter des Stromkabels mit Erde verbinden.



ACHTUNG Anleitung lesen



ACHTUNG: Um Schaden am Gerät zu vermeiden, nicht bei über 40° Messungen vornehmen.



Schutzleiteranschluß



ACHTUNG: Um Schaden am Gerät zu vermeiden, nicht mehr als 15V DC am VCF Eingang anlegen.



Gehäuseanschluß



ACHTUNG: Um Schaden am Gerät zu vermeiden, nicht mehr als 150V AC am Frequenzzähler Eingang anlegen (nur FG3C).



ACHTUNG: Um Schaden am Gerät zu vermeiden, nicht mehr als 10Vss während EXT Modulation anlegen (nur FG3C).

INHALT

	Seite		Seite
Gewährleistung	11	Beschreibung der Bedienelemente	15
Zertifikationen und Vorsichtsmaßnahmen	11	Anwendung des Funktionsgenerators	16
Sicherheitsinformation	11	Wartung und Reparatur	18
Einleitung	12	Spezifikationen	19

GEBRAUCHSVORBEREITUNG – AUSPACKEN

Die Verpackung sollte enthalten: ein Funktionsgenerator, ein Meßkabel von 1 Meter Länge (BNC nach Krokodilklemme), ein Stromkabel, eine Ersatzsicherung und diese Anleitung. Sollte ein Teil fehlen oder beschädigt sein, bringen Sie das Gerät zur Kaufstelle zurück für einen Umtausch.

EINLEITUNG

Die Funktionsgeneratoren FG2C und FG3C sind stabile Instrumente mit wenig Verzerrung, welche Sinus-, Dreieck- und Rechteckwellenformen bis zu 3 MHz erzeugen. Das FG2C hat Kontrollen für Amplitude, DC Komponente und Tastverhältnis. Ausgänge sind Hauptausgang (50 Ω) und Logic-Ausgang (TTL oder CMOS). Das FG3C hat die gleichen Eigenschaften, plus interner Wobbel (Log/Linear), Modulation (AM/FM), externer VCF/MOD, Zählereingang und GCV (Spannung proportional zur Frequenz) Ausgang. Der Zähler kann zum Zählen einer externen Frequenz bis zu 150 MHz verwendet werden.

VERGLEICH DER FUNKTIONEN:

FUNKTION	/	MODELL	FG2C	FG3C
AM/FM Modulation			na	X
Wobbel Kontrolle			na	X
Zählereingang			na	X
GCV Ausgang			na	X
TTL/CMOS Ausgang			X	X
VCF Eingang			X	X
Tastverhältnis Kontrolle			X	X

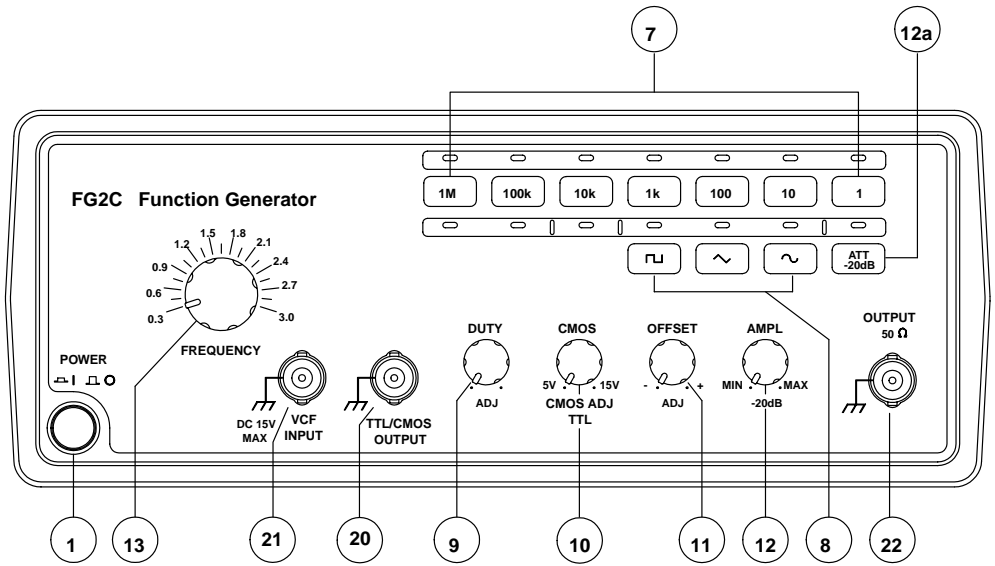


Fig. 1 FG2C Frontansicht

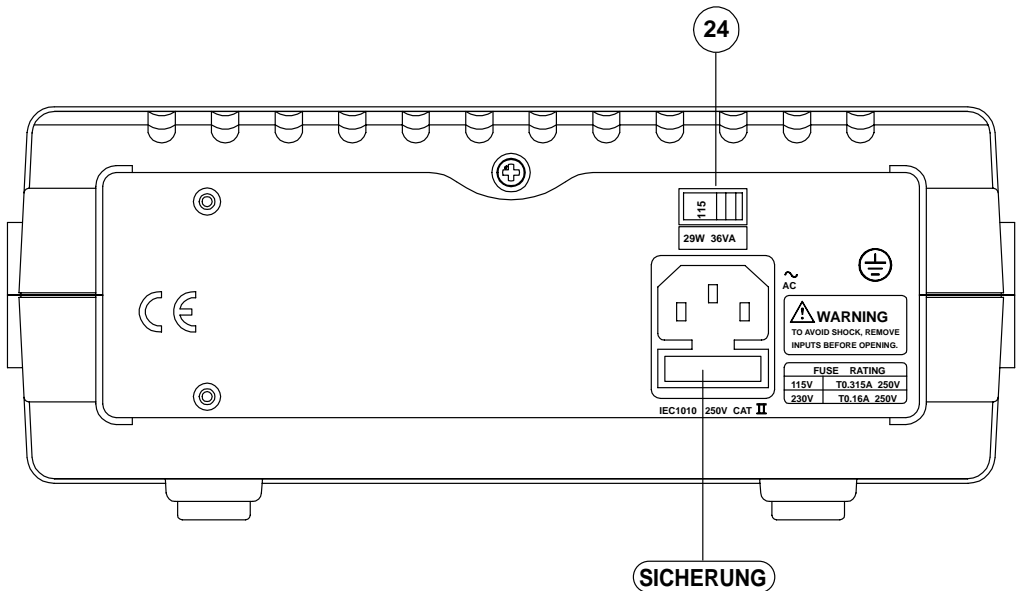


Fig. 2 FG2C Rückseite

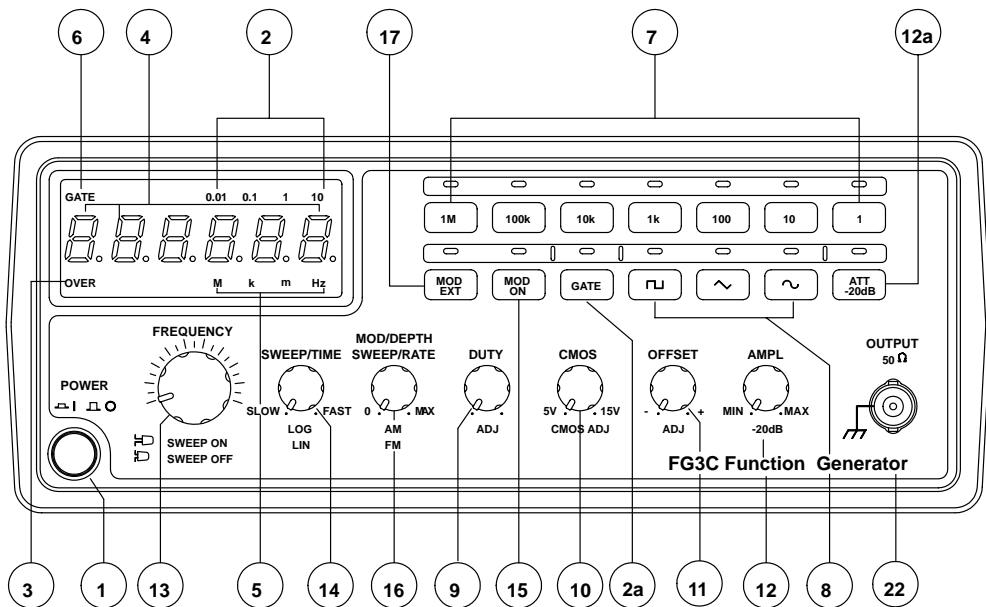


Fig. 3 FG3C Frontansicht

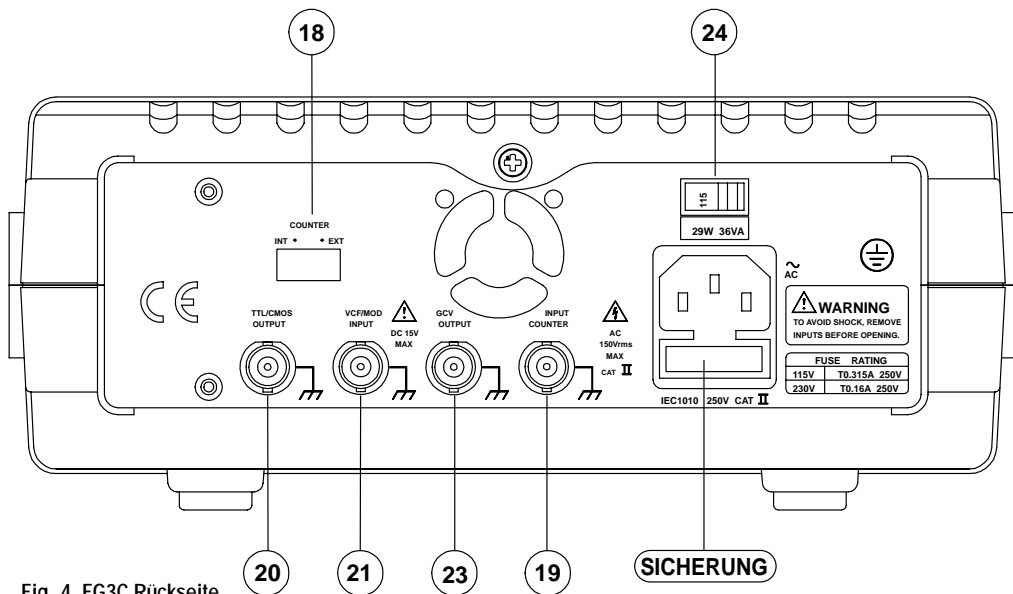


Fig. 4 FG3C Rückseite

BESCHREIBUNG DER BEDIENELEMENTE

FRONTPLATTE

1. **Ein/Aus-Schalter**
Schaltet den FG2C/FG3C ein oder aus.
2. **Torzeit-Anzeige**
Das Torintervall des internen Zählers ist 0.01 Sekunde.
- 2a. **Torzeitwahl**
Drücken Sie diese Taste zum Ändern der Torzeit in der EXTernen Zählerbetriebsart. 0.01s, 0.1s, 1s, oder 10s stehen zur Wahl.
3. **Überlastanzeige**
Diese Anzeige leuchtet in der externen Zähler-Betriebsart wenn die Eingangsfrequenz den gewählten Bereich überschreitet.
4. **Zähleranzeige**
Zeigt die externe Frequenz auf einer 6-Digit Anzeige und die interne Frequenz auf einer 5-Digit Anzeige.
5. **Frequenzanzeige**
Zeigt den Multiplikator der anstehenden Frequenz.
6. **Torzeitanzeige**
Leuchtet kurz auf beim Beginn eines jeden Torintervalls.
7. **Wahl des Frequenzbereiches**
Wählen Sie den gewünschten Frequenzbereich durch Drücken der betreffenden Taste wie in Tabelle 1 angegeben.

Tabelle 1	Taste	Frequenzbereich	Taste	Frequenzbereich
	1	0.3Hz bis 3Hz	10k	3kHz bis 30kHz
	10	3Hz bis 30Hz	100k	30kHz bis 300kHz
	100	30Hz bis 300Hz	1M	300kHz bis 3MHz
	1k	300Hz bis 3kHz		

8. **Funktionswahl**
Eine der drei Tasten drücken um die gewünschte Wellenform zu wählen.
9. **Taktverhältnis**
Ziehen und drehen Sie diesen Knopf zum Einstellen des Taktverhältnisses.
10. **TTL/CMOS Wahl**
Bei egedrücktem Knopf steht ein TTL kompatibles Signal am **BNC Ausgang (20)** an. Ziehen und drehen Sie den Knopf zum Einstellen eines CMOS kompatiblen Signals (5 -15Vss) am **BNC Ausgang (20)**.
11. **DC Offset Kontrolle**
Ziehen und drehen Sie diesen Knopf zum Einstellen eines DC Offsets, zwischen +10V und -10V. Nach rechts drehen zur Wahl einer positiven DC Komponente; nach links drehen zur Wahl einer negativen DC Komponente.
12. **Einstellen der Ausgangsamplitude und Abschwächung des Signals**
Nach rechts drehen für einen MAX Ausgang und nach links drehen für einen MIN Ausgang. Knopf ziehen für eine zusätzliche Abschwächung des Ausgangssignals von 20dB.
- 12a. **20dB Abschwächung**
Diese Taste drücken zu einer weiteren Abschwächung des Ausgangssignals von 20dB .
13. **FREQ/SWEEP** Frequenz/Wobbel Wahl und Einstellung der Frequenz
(Sweep On/Off – Wobbel Ein/Aus); Knopf rechts drehen für eine MAX Frequenz und links drehen für eine MIN Frequenz. (Knopf-Weiser im Skalenbereich der Frontplatte halten). Knopf ziehen zum Starten der automatischen Wobbelfunktion. Die obere Frequenzgrenze wird durch die Stellung des Knopfes bestimmt.
14. **Wobbel/Zeit**
Kontrolle und LIN/LOG Wahl:
(1) Knopf rechts drehen um Wobbelzeit nach MAX einzustellen und nach links drehen um Wobbeleit nach MIN einzustellen.
(2) Knopf drücken um lineares Wobbeln einzustellen und Knopf ziehen um logarithmisches Wobbeln zu wählen.

15. **MOD Ein/Aus Wahl**
Knopf einmal drücken; LED leuchtet und der Ausgang wird durch ein internes 400Hz Sinus Signal moduliert. Knopf erneut drücken; die LED erlischt und der Ausgang wird mit einem externen, am **VCF/MOD (21)** Eingang anstehenden Signal moduliert.
16. **MOD/DEPTH (MOD/Tiefe)**
Wobbelrate und AM/FM Wahl:
(1) Die Wobbelbreite ist von 0 bis 1000 einstellbar.
(2) Modulationsverhältnis nach MAX einstellen durch Drehen des Knopfes nach rechts. Nach links drehen zum Einstellen nach links.
(3) Select AM(amplitude modulation) mode by pushing in the knob or FM(frequency modulation) mode by pulling out the knob.
17. **MOD EXT**
Wahlschalter: Knopf einmal drücken; LED leuchtet und EXTerne MODulation ist gewählt. Knopf erneut drücken; LED erlischt und INTerne MODulation ist gewählt.

FRONTPLATTE/RÜCKWAND

18. **INT/EXT Zählerwahl**
INT wählen für interne Zählerfunktion (zählt die Frequenz des FG3C Ausganges); EXT wählen für externe Zählerfunktion (zählt die Frequenz des am **BNC Ausgang (19)** anstehenden Signals).
 19. **EXT. Zähler Eingang:** Externe Signale zur Frequenzmessung hier anschliessen.
 20. **TTL/CMOS Ausgang**
TTL/CMOS kompatibles Signal.
 21. **VCF/MOD**
Spannungseingang zur Kontrolle der Frequenz oder zur Spannungsmodulation.
 22. **Hauptausgang**
Der Ausgang ist für eine 50 Ω Last kalibriert.
 23. **GCV Ausgang**
Ausgang einer Frequenz-proportionalen Gleichspannung.
 24. **115/230 Schalter:** Zum Anpassen des Gerätes an die Netzspannung.
- Die unter 2, 2a, 3, 4, 5, 6, 14, 15, 16, 17, 18, 19, und 23 beschriebenen Funktionen beziehen sich nicht auf das Modell FG2C.

Gebrauchsanleitung

Im folgenden sind die wichtigsten Vorgänge und Einstellungen beschrieben zur Nutzung der verschiedenen Funktionen des Gerätes. Die beste Weise um die Wellenformen zu betrachten, ist durch Anschließen des Funktionsgenerators an ein Oszilloskop. Folgen Sie auf der Oszilloskopanzeige den Einfluß der im folgenden beschriebenen Einstellungen auf die Wellenform.

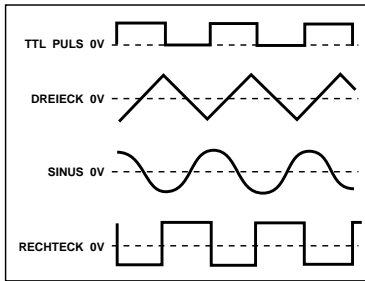
Erste Prüfung:

- (1) Stellen Sie sicher daß die Stellung des **Spannungsschalters (24)** auf der Geräterückseite mit Ihrer Netzspannung übereinstimmt. Verbinden Sie das Gerät mit der Netzspannung mittels des mitgelieferten Netkabels.
- (2) Drücken sie die **PWR (1)** Taste, stellen Sie sicher daß alle Drehknöpfe eingedrückt sind, und drehen Sie den **AMPL (12)** Knopf ganz nach links.
- (3) Drehen Sie den **FREQ (13)** Knopf ganz nach links.

Dreieck-, Rechteck- und Sinuswellenformen

- (1) Wählen Sie die gewünschte Wellenform mit der **Function (8)** Taste und den Bereich mit **Range (7)**. Drehen Sie den **FREQUENCY (13)** Knopf zum Einstellen der gewünschten Frequenz (wird im **Anzeigefenster (4)** angezeigt).
- (2) Verbinden Sie den **Output 22)** mit dem Oszilloskop um die Wellenform zu betrachten.
- (3) Drehen Sie den **AMPL (12)** Knopf um die Amplitude der Wellenform einzustellen.
- (4) Falls Abschwächung des Signals erfordert ist, ziehen Sie den **AMPL (12)** Knopf für eine 20dB Abschwächung oder drücken Sie die **ATT -20dB (12a)** Taste für eine zusätzliche 20dB Abschwächung.
- (5) Die Wellenformen am Haupt- und am TTL-Ausgang sind in Figur 5 angezeigt.

Figur 5



Rechteck-Wellenform

- (1) Drücken Sie die **Function (8)** \square Taste, wählen Sie den Bereich mit **Range (7)**, und drehen Sie den **FREQUENCY (13)** Knopf zum Einstellen der Frequenz.
- (2) Verbinden Sie den Ausgang **OUTPUT (22)** mit dem Oszilloskop zur Betrachtung der Wellenform.
- (3) Ziehen und drehen Sie den **Duty (9)** Knopf zum Einstellen der Impulsbreite.
- (4) Drehen Sie den **AMPL (12)** Knopf zum Einstellen der Impulsamplitude.
- (5) Ziehen Sie den **AMPL (12)** Knopf für eine 20dB Abschwächung.

Dreieck-Wellenform

- (1) Drücken Sie die **Function (8)** ∇ Taste, wählen Sie den Bereich mit **Range (7)**, und drehen Sie den **FREQUENCY (13)** Knopf zum Einstellen der Frequenz.
- (2) Verbinden Sie den Ausgang **OUTPUT (22)** mit dem Oszilloskop zur Betrachtung der Wellenform.
- (3) Ziehen und drehen Sie den **Duty (9)** Knopf zum Einstellen der Impulsrampe.
- (4) Drehen Sie den **AMPL (12)** Knopf zum Einstellen der Impulsamplitude.
- (5) Ziehen Sie den **AMPL (12)** Knopf für eine 20dB Abschwächung.

TTL/CMOS Ausgang

- (1) Wählen Sie den Bereich mit **Range (7)**, und drehen Sie den **FREQUENCY (13)** Knopf zum Einstellen der Frequenz.
- (2) Verbinden Sie den **TTL/CMOS (20)** Ausgang mit dem Oszilloskop zum Betrachten der Wellenform.
- (3) Der Ausgang ist ein TTL-Signal, für allgemeine TTL integrierte Schaltungen verwendbar.
- (4) Für ein CMOS Signal, ziehen und drehen Sie den **CMOS (10)** Knopf um den gewünschten Signalpegel einzustellen.

Kontrolle der Frequenz durch externe Spannung (VCF)

Diese Betriebsart erlaubt die Einstellung der Frequenz mit einer extern angelegten DC Spannung.

- (1) Wählen Sie die Wellenform mit **Function (8)** und den Bereich mit **Range (7)**. Drehen Sie den **FREQUENCY (13)** Knopf um die gewünschte Frequenz einzustellen.
- (2) Legen Sie eine externe Spannung ($0 \pm 10VDC$) an den **VCF (21)** Eingang und beobachten Sie das Signal am **Ausgang (22)**.
- (3) Nehmen Sie andere Einstellungen vor – mittels **AMPL (12)** Knopf zum Einstellen der Amplitude, schwächen Sie das Signal ab, drehen Sie den **Offset (11)** Knopf zum Einstellen einer DC Komponente, drehen Sie den **Duty (8)** Knopf zum Ändern des Taktverhältnisses, usw.

Automatisches Wobbeln

- (1) Wählen Sie die Wellenform mit einer **Function (8)** Taste und den Bereich mit **Range (7)**. Drehen Sie den **FREQUENCY (13)** Knopf zum Einstellen der Frequenz.
- (2) Verbinden Sie den **Ausgang (22)** mit dem Oszilloskop zum Beobachten des Ausgangssignals.
- (3) Drehen Sie den **FREQUENCY (13)** Knopf zum Einstellen der oberen Frequenzgrenze.
- (4) Ziehen Sie den **FREQUENCY (13)** Knopf um die Wobbelfunktion zu aktivieren.
- (5) Drehen Sie den **SWEEP/TIME (14)** Knopf und den **SWEEP RATE (16)** Knopf um die Wobbelzeit und Wiederholrate einzustellen.
- (6) Die LOG Wobbelbetriebsart wird gewählt durch Ziehen des **SWEEP/TIME (14)** Knopfes.

Anmerkung: Die Wobbelbreite kann während einem Zyklus geändert aber der Wobbelzyklus kann nicht gestoppt werden.

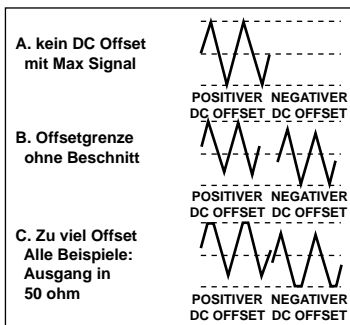
AM/FM Betriebsart

- (1) Wählen Sie die Wellenform mit einer **Function (8)** Taste und den Bereich mit **Range (7)**. Drehen Sie den **FREQUENCY (13)** Knopf zum Einstellen der Frequenz.
- (2) Verbinden Sie den **Ausgang (22)** mit dem Oszilloskop zum Beobachten des Ausgangssignals.
- (3) Drücken Sie die **MOD (15)** Taste zur Wahl der FM Betriebsart und ziehen Sie den **MOD/DEPTH (16)** Knopf.
- (4) Drücken Sie die **MOD (15)** Taste zur Wahl der AM Betriebsart und drücken Sie den **MOD/DEPTH (16)** Knopf.
- (5) Drehen Sie den **MOD/DEPTH (16)** Knopf für das gewünschte Modulationsverhältnis.

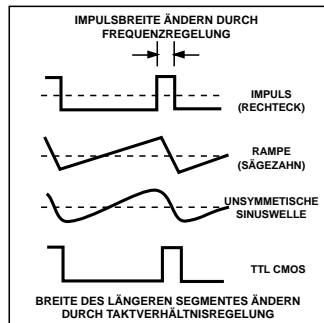
Vorsichtsmaßnahmen

- (1) Der **DC OFFSET (11)** Knopf dient zum Einstellen eines DC Spannungspegels von $\pm 10V$ (ohne Last) oder $\pm 5V$ (mit 50Ω Last). Die Signalamplitude, inklusiv DC Spannung, ist jedoch begrenzt auf $\pm 20V$ (ohne Last) oder $\pm 10V$ (mit 50Ω Last). Bei überschrittener Grenze wird das Signal beschnitten, wie in Figur 6 gezeigt.
- (2) Der Hauptausgang ist kalibriert für eine 50Ω Last. Die Impedanz der Signalquelle ist ebenfalls 50Ω . Der Ausgang kann mit irgendwelcher Last verbunden werden, Ausgangsspannung und Impedanz sind dann jedoch nicht kalibriert. Um Oszillation zu vermeiden, verbinden Sie den Ausgang mit einer 50Ω Last (speziell bei hoher Frequenz und Rechtecksignal). Das Verbindungskabel sollte möglichst kurz sein.
- (3) Wenn der DUTY Knopf ganz nach links gedreht ist, soll das Verhältnis zwischen positivem und negativem Teil nicht weniger als 80:20 sein. Wenn der DUTY Knopf ganz nach rechts gedreht ist, soll das Verhältnis zwischen positivem und negativem Teil nicht höher als 20:80 sein. Rechtecksignale können in Impulssignale umgeformt werden, Dreiecksignal in Sägezahnsignale, und Sinuswellenformen in unsymmetrische Sinussignale. The Figur 7 zeigt den Einfluss der DUTY Kontrolle auf verschiedene Wellenformen.

Figur 6



Figur 7



Sicherungswechsel (Siehe Abbildungen 2 und 4)

Vorbereitung: Trennen Sie die Meßkabel vom Meßkreis und vom Funktionsgenerator. Drücken Sie den Ein/Aus Schalter und trennen Sie das Netzkabel vom Gerät.

Warnung: Nicht-Abschalten des Gerätes und Nicht-Entfernen des Netzkabels vor dem Sicherungswechsel kann zu Schaden am Gerät und Verletzungen führen.

Sicherungswechsel: Alte Sicherung entfernen durch Einbringen der flachen Spitze eines kleinen Schraubenziehers in die Öffnung am Sockel des Netzspannungssteckers. Gleiten Sie den Sicherungshalter heraus. Ersetzen Sie die Sicherung wie folgt:

115 VAC 50/60 Hz: T0.315A/250V Sicherung (5mm x 20mm), I.R. 100kA – Wavetek p/n 2400-05-0069, Littell Fuse p/n 218.315, oder Bussmann p/n. GDC-315mA.

230 VAC 50/60 Hz: T0.160A/250V Sicherung (5mm x 20mm), I.R. 100kA – Wavetek p/n 2400-05-0070, Littell Fuse p/n 218.160, oder Bussmann p/n. GDC-160mA.

Warnung: Nur eine äquivalente Sicherung verwenden. Sonst besteht Verletzungs- oder selbst Lebensgefahr.

Zusammensetzung: Sicherungshalter zurück in Öffnung schieben und Netzkabel einstecken.

WARTUNG & REPARATUR

Sollte beim Anwenden des Gerätes ein Problem auftreten, gehen Sie wie folgt vor um die Fehlerquelle zu bestimmen: ① Lesen Sie die Anleitung um eventuelle Fehler bei der Bedienung festzustellen. ② Prüfen Sie die Testkabel auf Bruch oder intermittente Verbindung. ③ Prüfen Sie die Sicherung. Siehe Sicherungswechsel. Mit Ausnahme des Sicherungswechsels und Wechsels der Testkabel soll eine Reparatur des Funktionsgenerators nur durch eine anerkannte Servicestelle oder durch Fachpersonal vorgenommen werden. Das Gehäuse kann mit einer milden Seifenlösung gereinigt werden. Sparsam mit einem weichen Tuch auftragen und Gerät vor erneutem Einsatz gut trocknen lassen.

in U.S.A.
 Wavetek Meterman
 1420 75th Street SW
 Everett, WA 98203
 Tel: (877) 596-2680
 Fax: (425) 446-6390

in Canada
 Wavetek Meterman
 400 Britannia Rd. E. Unit #1
 Mississauga, ON L4Z 1X9
 Tel: (905) 890-7600
 Fax: (905) 890-6866

in Europa
 Wavetek Meterman
 52 Hurricane Way
 Norwich, NR6 6JB, U.K.
 Tel: int + 44-1603-404824
 Fax: int + 44-1603-482409

SPEZIFIKATIONEN

	FG2C	FG3C
1. Hauptspezifikationen		
Frequenzbereich	0.3 Hz bis 3 MHz (7 Bereiche)	0.3 Hz bis 3 MHz (7 Bereiche)
Amplitude	>10Vss (50Ω Last)	>10Vss (50Ω Last)
Impedanz	50Ω ±10%	50Ω ±10%
Abschwächung	-20dB ±1dB x2	-20dB ±1dB x2
DC Offset	<-5V bis >+5V (50Ω Last)	<-5V bis >+5V (50Ω Last)
Taktverhältnis	80%:20%:80% bis 1MHz kontinuierlich	80%:20%:80% bis 1MHz kontinuierlich
LED Anzeige	N/A	6 Digits; 7.6mm hoch
Bereichsgenauigkeit	±5% +1 Hz (bei 3.0 Position)	N/A
2. Sinuswelle		
Verzerrung	≤1 %, 0.3 Hz bis 200 kHz THD ≤35dB unter Grundfrequenz, alle Bereiche (Spezifikationen für MAX. bis 1/10 Bereich)	≤1 %, 0.3 Hz bis 200 kHz THD ≤35dB unter Grundfrequenz, alle Bereiche (Spezifikationen für MAX. bis 1/10 Bereich)
Flachheit	< 0.3dB, 0.3 Hz bis 300 kHz < 0.5dB, 300 kHz bis 3 MHz	< 0.3dB, 0.3 Hz bis 300 kHz < 0.5dB, 300 kHz bis 3 MHz
3. Dreieckswelle		
Linearität	≥ 98 %, 0.3 Hz bis 100 kHz ≥ 95 %, 100 kHz bis 3 MHz	≥ 98 %, 0.3 Hz bis 100 kHz ≥ 95 %, 100 kHz bis 3 MHz
4. Rechteckwelle		
Symmetrie	±2%, 0.3 Hz bis 100 kHz	±2%, 0.3 Hz bis 100 kHz
Anstiegs-/Abfallzeit	≤ 100ns bei max. Ausgang (50Ω Last)	≤ 100ns bei max. Ausgang (50Ω Last)
5. CMOS Ausgang		
Spannung	4Vss ±1Vss bis 14.5Vss ±0.5Vss einstellbar	4Vss ±1Vss bis 14.5Vss ±0.5Vss einstellbar
Anstiegs-/Abfallzeit	≤ 120ns	≤ 120ns
6. TTL Ausgang		
Spannung	≥ 3Vss	≥ 3Vss
Belastbarkeit	20 TTL Last	20 TTL Last
Anstiegs-/Abfallzeit	≤ 25ns	≤ 25ns
7. VCF (Spannungs-kontrollierte Frequenz)		
Eingangsspannung	0 bis 10V ±1V(100:1)	0 bis 10V ±1V(100:1)
Eingangsimpedanz	10kΩ ±10%	10kΩ ±10%
8. GCV (Frequenz-proportionale Spannung)		
Ausgangsspannung	N/A	Spannung ändert von 0 bis 2V gemäß eingestellter Frequenz.

FG2C**FG3C****9. Wobbelbetriebsart**

Wobbel-/Normalbetrieb	N/A	Schalterwahl
Wobbel Verhältnis	N/A	100:1 max., einstellbar
Wobbel Zeit	N/A	0.5 Sek bis 30 Sek, einstellbar
Wobbel Modus	N/A	Lin./Log. durch Schalterwahl

10. Amplitudenmodulation

Modulationstiefe	N/A	0 bis 100%
Modulationsfrequenz	N/A	400 Hz (INT), DC bis 1 MHz (EXT)
Trägerwelle	N/A	100 Hz bis 3 MHz (-3dB)
EXT Empfindlichkeit	N/A	≤10Vss für 100 % Modulation

11. Frequenzmodulation

Abweichung	N/A	0 bis ±5%
Modulationsfrequenz	N/A	400Hz (INT), DC bis 20 kHz (EXT)
EXT Empfindlichkeit	N/A	≤10Vss für 10% Modulation

12. Frequenzzähler

Int./Ext.	N/A	Schalterwahl
Bereich	N/A	0.3 Hz bis 3 MHz (5 Hz bis 150 MHz EXT)
Genauigkeit	N/A	Zeitbasisgenauigkeit ±1 Digit
Zeitbasis	N/A	±20ppm (23°C ±5°C) nach 30 Min Aufwärmung
Auflösung	N/A	Max. Auflösung ist 10 nHz für 1Hz und 1 kHz für 100MHz
Eingangsimpedanz	N/A	1MΩ/150pF
Empfindlichkeit	N/A	≤ 35mVrms (5Hz bis 100MHz) ≤ 45mVrms (100MHz bis 150MHz)

13. Allgemein

LED Anzeige	N/A	6 Digits; 7.6mm hoch
Speisung	115, 230VAC ±15%, 50/60Hz	115, 230VAC ±15%, 50/60Hz
Betriebsumgebung	Innenhaus, Höhe bis 2000m. Umgebungstemperatur 0°C bis 40°C Relative Feuchte 80%(max). EN61010-1, Installationskategorie II, Pollutionsgrad 2	
Lagertemperatur & Feuchte	-10 °C bis 70°C bei 70% R.F. (maximum).	
Zubehör	1 RTL-1, Anleitung Ersatzsicherung	2 RTL-1, Anleitung Ersatzsicherung
Abmessungen	243(B) x 93(H) x 292(T) mm	
Gewicht	Approx. 2.0 kgs.	Approx. 2.2 kgs.
Sicherheit:	Gemäß EN61010-1:1993. Installationskategorie II, Pollutionsgrad 2	



EMC: Dieses Produkt beantwortet an die Bestimmungen der folgenden EWG Richtlinien: 89/336/EEC (Elektromagnetische Kompatibilität) und 73/23/EEC (Niedrige Spannung) geändert durch 93/68/EEC (CE Marking). Elektrisches Rauschen und starke magnetische Felder in der direkten Umgebung des Meßgerätes können jedoch den Meßkreis beeinflussen. Das Gerät kann auch durch Störsignale im gemessenen Schaltkreis beeinflusst werden.

Der Anwender muß Vorsichtsmaßnahmen treffen um irreführende Meßergebnisse bei Messungen in der Umgebung von starken elektromagnetischen Feldern zu vermeiden.

Generador De Funciones FG2C/FG3C**GARANTIA**

Los Generadores de funciones FG2C y FG3C están garantizados frente a cualquier defecto de materiales o de fabricación dentro del periodo de un (1) año a contar desde la fecha de la compra del Generador de funciones por el comprador o usuario original. Cualquier Generador de funciones que resultase defectuoso dentro del periodo de garantía deberá devolverse, con su comprobante de compra, a un servicio técnico oficial Wavetek o al distribuidor local Wavetek donde fue adquirido. Consulte la sección de mantenimiento para obtener más instrucciones al respecto. Todas las garantías que se deriven de la compra de un Generador de funciones Wavetek, entre las que se incluyen las garantías implícitas de comerciabilidad y adecuación para un propósito determinado, pero sin limitarse a las mismas, tienen una limitación temporal de un año (1), según se ha expresado anteriormente. Wavetek no será responsable de la pérdida de utilidad del Generador de funciones ni de otros daños o gastos incidentales o consecuentes, o de pérdidas económicas ni podrá ser demandada por dichos daños, gastos o pérdidas económicas. Algunos estados no permiten limitaciones a la duración de las garantías implícitas ni la exclusión o limitación de daños incidentales o consecuentes, en cuyo caso las limitaciones anteriormente expuestas no serán de aplicación. La presente garantía le otorga derechos específicos aunque, de acuerdo con la legislación de cada estado, podrá tener otros derechos.

CERTIFICACIONES Y PRECAUCIONES

Este instrumento cumple con la norma EN61010-1:1993 para Categoría de instalación II, Grado de polución II. Todas las entradas están protegidas frente a situaciones de sobrecarga continua hasta los límites de protección de entrada establecida de cada función (véase las especificaciones). No exceda nunca estos límites o los valores límite establecidos en el propio instrumento. Antes de cada uso, compruebe que el Generador de funciones, los conectores de ensayo y los accesorios están en perfecto estado y no presentan signos de deterioro. Si descubriese algún problema (conectores de ensayo rotos o dañados, carcasa agrietada, pantalla ilegible, etc.), no utilice el aparato. Asegúrese de no estar conectado a tierra en el momento de realizar mediciones. No toque ninguna tubería metálica, enchufe, instalación, etc., que pueda estar potencialmente conectada a tierra. Mantenga su cuerpo aislado del suelo y no toque nunca ningún cable, conexión, punta de conector de ensayo o cualquier otro conductor sometido a tensión. No utilice el instrumento bajo una atmósfera potencialmente explosiva (humos, vapores, polvo, gases inflamables, etc.) No utilice este ni ningún otro instrumento de prueba sin la preparación adecuada.

**PELIGRO** Alta tensión**ADVERTENCIA:** Para evitar una posible descarga eléctrica, el cable conductor de puesta a tierra de protección deberá estar conectado a tierra.**PRECAUCIÓN** consulte el Manual**PRECAUCIÓN:** Para evitar dañar el instrumento, no lo utilice en lugares donde la temperatura ambiente exceda los 40° C.**Terminal de conductor de protección****PRECAUCIÓN:** Para evitar dañar el instrumento, no lo someta a más de 15 V CC en VCF.**Terminal de carcasa o armazón****PRECAUCIÓN:** Para evitar dañar el instrumento, no lo someta a más de 150 V CA en el Contador de frecuencias (sólo para el FG3C).**PRECAUCIÓN:** Para evitar dañar el instrumento, no lo someta a más de 10 Vpp durante la operación de modulación externa (sólo para el FG3C).

CONTENIDO

	página		página
Garantía	21	Descripciones de los controles	25
Certificaciones y precauciones	21	Uso del Generador de funciones	26
Información de seguridad	21	Mantenimiento y reparación	28
Introducción	22	Especificaciones	29

PREPARACIÓN PARA EL USO - DESEMBALAJE

El paquete de entrega deberá incluir el Generador de funciones, un conector de ensayo BNC a pinza de 1 metro de longitud, un fusible de repuesto y este manual. Si cualquiera de estos elementos faltase o presentase algún defecto o daño, devuelva inmediatamente todo el paquete al lugar de compra para que le sea entregado uno completo.

INTRODUCCIÓN

Los Generadores de funciones FG2C y FG3C son instrumentos estables de baja distorsión que generan formas de ondas senoidales, triangulares y rectangulares en frecuencias que llegan a alcanzar los 3 MHz. El FG2C posee controles de amplitud, offset (desviación) y ciclos de trabajo. Las salidas son Principal (50 Ω) y lógica (TTL y CMOS). El FG3C tiene las mismas funciones que el anterior, a las que se añaden el barrido interno (Log/Lineal), la modulación (AM/FM), las entradas VCF/MOD externas y de contador y la salida GCV. El contador puede conmutarse para medir y mostrar la frecuencia de una señal externa de hasta 150 MHz..

TABLA DE COMPARACIÓN DE FUNCIONES POR MODELOS:

FUNCIÓN	/	MODELO	FG2C	FG3C
Modulación AM/FM			na	X
Control de barrido			na	X
Entrada de CONTADOR			na	X
Salida GCV			na	X
Salida TTL/CMOS			X	X
Entrada VCF			X	X
Control de ciclos de trabajo			X	X

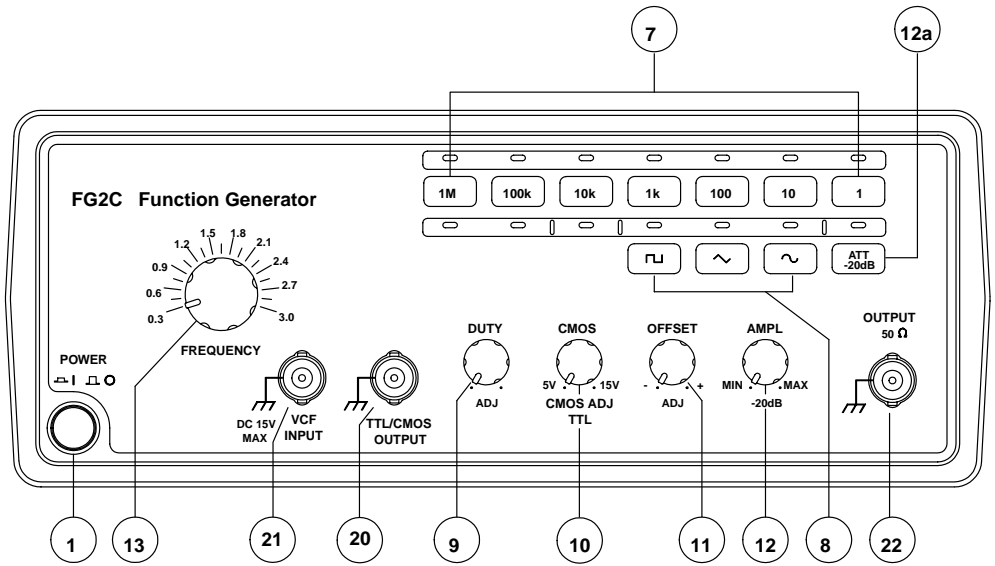


Fig. 1 FG2C Panel Frontal

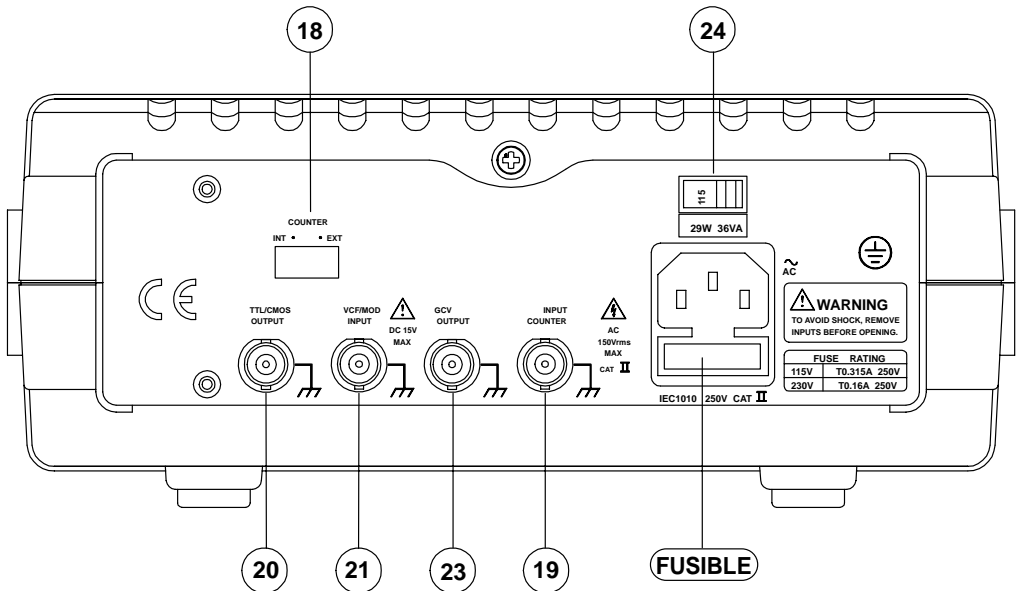


Fig. 2 FG2C Panel Posterior

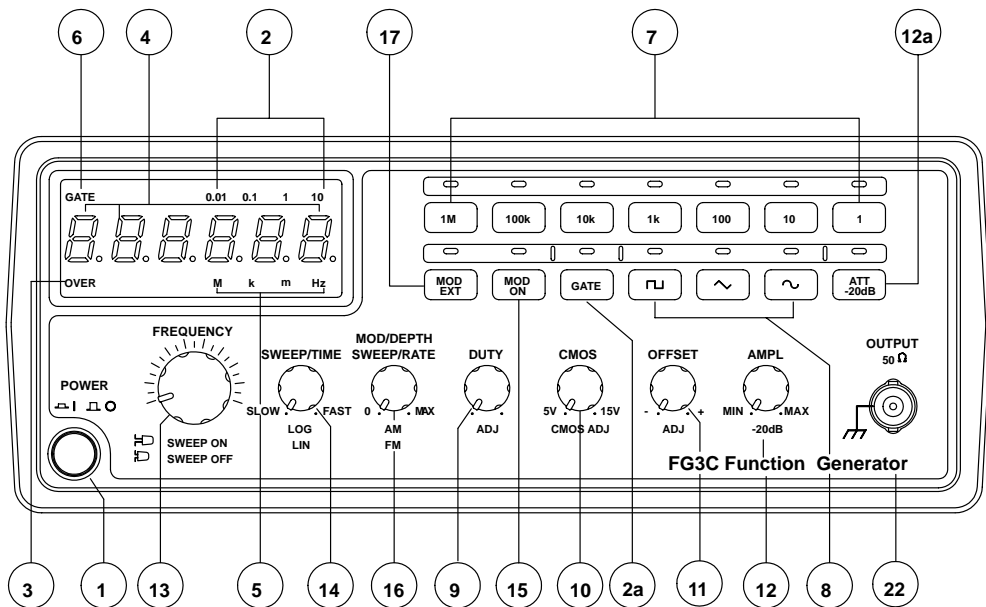


Fig. 3 FG3C Panel Frontal

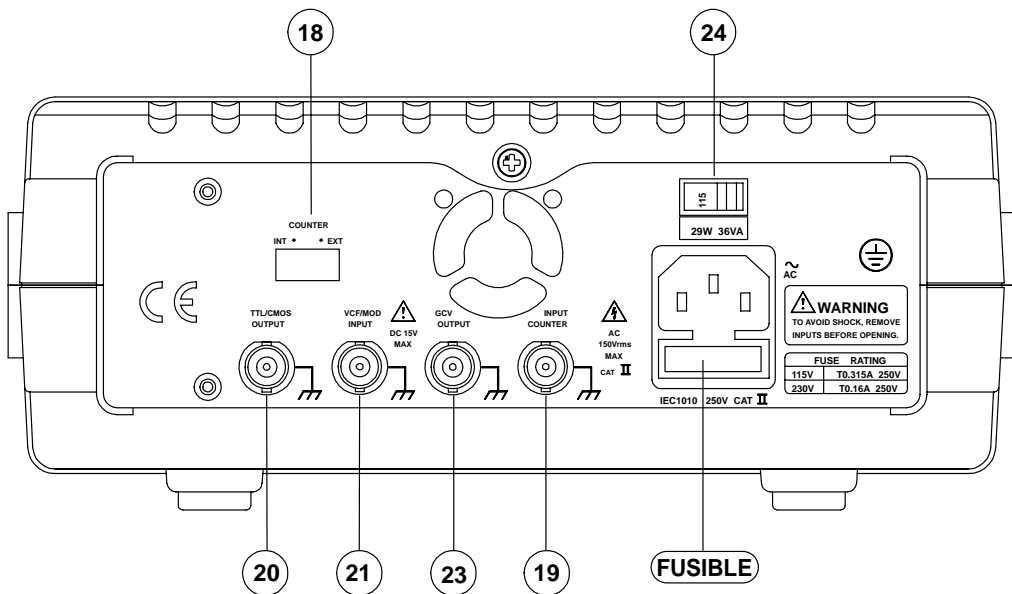


Fig. 4 FG3C Panel Posterior

DESCRIPCIÓN DE LOS CONTROLES

PANEL FRONTAL

1. Interruptor de alimentación (POWER)

Abre y cierra el acceso de la corriente eléctrica a la fuente de alimentación del aparato.

2. Indicador de tiempo de puerta

Indicador de intervalo de puerta (el intervalo de puerta del contador de intervalos es 0,01 s).

2a. Selector de tiempo de puerta (GATE)

Presione este botón para cambiar el tiempo de puerta cuando esté utilizando el modo de contador externo (EXT). Al pulsarlo, la secuencia de selección será 0,01 s, 0,1 s, 1 s, o 10 s.

3. Indicador de superación de rango

En el modo de contador externo, este indicador se ilumina cuando la frecuencia de salida sea mayor que el rango seleccionado.

4. Pantalla del contador

Muestra la frecuencia externa por medio de una pantalla verde de 6 dígitos, y la frecuencia interna por medio de una pantalla verde de 5 dígitos.

5. Indicador de frecuencia

Indica el multiplicador del valor de la frecuencia seleccionada.

6. Indicador de tiempo de puerta

Parpadea al principio de cada intervalo de puerta.

7. Selector de rango de frecuencias

Seleccione el rango de frecuencias deseado pulsando el botón correspondiente en el panel según se indica en la Tabla 1.

Tabla 1

Botón	Rango de frecuencias	Botón	Rango de frecuencias
1	0,3 Hz a 3 Hz	10 k	3 kHz a 30 kHz
10	3 Hz a 30 Hz	100 k	30 kHz a 300 kHz
100	30 Hz a 300 Hz	1 M	300 kHz a 3 MHz
1k	300 Hz a 3 kHz		

8. Selector de funciones

Presione uno de los tres botones para seleccionar la forma de onda de salida que desea.

9. Función de trabajo (DUTY)

Tire del mando y gírelo para ajustar el ciclo de trabajo de la forma de onda.

10. Selector TTL/CMOS

Cuando el mando giratorio se encuentra presionado, del terminal BNC de salida TTL/CMOS OUTPUT (20) saldrá una forma de onda compatible TTL. Si el mando está hacia afuera, al girarlo ajustará la salida compatible CMOS (5 –15 Vpp) de dicho terminal.

11. Control de Offset CC (OFFSET)

Tire del mando giratorio para seleccionar cualquier nivel CC de la forma de onda entre ± 10 V; gire el mando a la derecha para seleccionar un nivel positivo de Offset CC de la forma de onda, o hacia la izquierda para seleccionar un nivel negativo.

12. Control de amplitud de salida con función de atenuación (AMPL)

Gire el mando a la derecha para obtener una salida máxima (MAX) y hacia la izquierda para obtener una salida mínima (MIN). Tire del mando para obtener una atenuación de salida adicional de 20 dB.

12a. Atenuación de 20 dB (ATT –20dB)

Presione este botón para reducir la salida en 20 dB.

13 Selector de frecuencia (FREQUENCY) con Activación y Desactivación del barrido (SWEEP ON/OFF)

Gire el mando hacia la derecha para obtener frecuencias máximas y hacia la izquierda para frecuencias mínimas. (Mantenga el puntero del mando dentro del rango de escalas del panel). Tire del mando giratorio para comenzar la operación de barrido automático; el límite superior de frecuencias viene determinado por la posición del mando.

14 Control de tiempo de barrido (SWEEP/TIME) y Selector LIN/LOG:

(1) Gire el mando a la derecha para ajustar el tiempo de barrido al máximo (FAST), o hacia la izquierda para ajustarlo al mínimo (SLOW).

(2) Para seleccionar el modo de barrido lineal (LIN), presione el mando giratorio; para seleccionar el modo de barrido LOG, tire de él hacia afuera.

15. Selector de activación/desactivación de modulación (MOD ON)

Si presiona una vez el botón, el indicador se encenderá y la salida será modulada por una onda senoidal interna de 400 Hz; si vuelve a presionar el botón, el indicador se apagará y la salida será modulada por una señal externa a través del conector de entrada **VCF/MOD INPUT (21)**.

16. Selector de profundidad de barrido (MOD/DEPTH), tasa de barrido (SWEEP/RATE) y AM/FM:

(1) El ancho de barrido puede controlarse de 0 a 1000 veces.

(2) Ajuste el índice de modulación girando el mando hacia la derecha para obtener un valor máximo, o hacia la izquierda para un valor mínimo.

(3) Para seleccionar el modo AM (modulación de amplitud), presione el mando hacia dentro; para seleccionar el modo FM (modulación de frecuencia), tire de él hacia afuera.

17 Selector de modulación externa (MOD EXT):

Presione una vez el botón, el indicador se iluminará, y quedará seleccionada la modulación externa. Si vuelve a presionar el botón, el indicador se apagará y quedará seleccionada la modulación interna.

PANEL FRONTAL O POSTERIOR

18. Selector de contador interno/externo (COUNTER INT/EXT)

Selecione el modo de contador interno (cuenta la frecuencia de la salida del generador FG3C) o el modo de contador externo si desea un contador independiente (señal de entrada procedente del terminal **BNC INPUT COUNTER (19)**).

19. Terminal de entrada del contador (INPUT COUNTER)

Permite la entrada de señales externas para su medición.

20. Terminal de salida TTL/CMOS (TTL/CMOS OUTPUT)

Salida de señales compatibles TTL/CMOS.

21. Terminal de entrada VCF/MOD (VCF/MOD INPUT)

Conector que permite la entrada de la tensión necesaria para realizar las operaciones de VCF (frecuencia controlada por tensión) o la modulación externa (EXT).

22. Terminal de salida principal (OUTPUT)

Salida de señal principal: la señal de salida está calibrada para una carga de 50 Ω .

23. Salida GCV (GCV OUTPUT)

Se trata de una salida de tensión CC cuyo nivel seguirá el cambio de frecuencia.

24. Selector 115/230

Este conmutador permite seleccionar la tensión de alimentación de la red.

Las funciones de los elementos 2, 2a, 3, 4, 5, 6, 14, 15, 16, 17, 18, 19 y 23 no son aplicables al modelo FG2C.

PROCEDIMIENTOS DE USO

El siguiente apartado describe la configuración básica y los controles necesarios para trabajar con las funciones de este instrumento. Uno de los mejores métodos para observar formas de ondas es conectar el generador de funciones a un osciloscopio. Obsérvese el efecto que los distintos controles tienen sobre las formas de ondas que aparecen en el osciloscopio cuando se siguen los siguientes pasos:

Primer paso: comprobación

(1) Asegúrese de que el **selector de tensión de la red (24)**, situado en el panel posterior del instrumento, señala la alimentación de red adecuada. Conecte el instrumento a la red por medio del cable que se suministra.

(2) Presione el interruptor de alimentación, **POWER (1)**; asegúrese de que todos los mandos giratorios están presionados hacia dentro y gire el mando **AMPL (12)** totalmente a la izquierda.

(3) Gire el control **FREQUENCY (13)** totalmente a la izquierda.

Ondas triangulares, rectangulares y senoidales

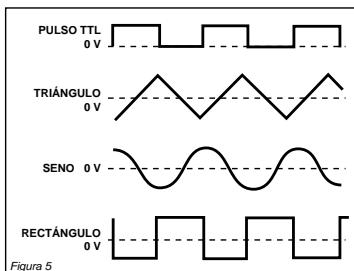
(1) Seleccione la **Función (8)** y el **Rango (7)**, y gire el mando **FREQUENCY (13)** hasta obtener la frecuencia deseada (lea la salida en la **pantalla (4)**).

(2) Conecte el terminal de salida **OUTPUT (22)** al osciloscopio para observar la señal de la forma de onda.

(3) Gire el mando **AMPL (12)** para controlar la amplitud de la forma de onda.

(4) Si se hace necesario atenuar la señal de salida, tire hacia afuera del mando giratorio **AMPL (12)** para obtener una atenuación de 20 dB o presione el botón **ATT -20dB (12a)** para lograr una atenuación adicional de 20 dB.

(5) En la figura 5 se muestra la relación fase entre forma de onda de salida y salida TTL:



Generación de ondas pulsatorias

- (1) Presione el botón de **Función (8)** \square , seleccione el **Rango (7)** y gire el mando **FREQUENCY (13)** hasta fijar la frecuencia deseada.
- (2) Conecte el terminal de salida **OUTPUT (22)** al osciloscopio para observar la señal de salida.
- (3) Tire del mando **DUTY (9)** y gírelo para ajustar el ancho de la onda pulsatoria.
- (4) Ajuste el mando giratorio **AMPL (12)** para controlar la amplitud del pulso.
- (5) Tire del mando **AMPL (12)** para atenuar la señal de salida en 20 dB.

Generación de ondas con forma de dientes de sierra

- (1) Presione el botón de **Función (8)** \wedge , seleccione el **Rango (7)** y gire el mando **FREQUENCY (13)** hasta fijar la frecuencia deseada.
- (2) Conecte el terminal de salida **OUTPUT (22)** al osciloscopio para observar la señal de salida.
- (3) Tire del mando **DUTY (9)** y gírelo para ajustar el declive de la onda de dientes de sierra.
- (4) Ajuste el mando giratorio **AMPL (12)** para controlar la amplitud de salida de la onda de dientes de sierra.
- (5) Tire del mando **AMPL (12)** para atenuar la señal de salida en 20 dB.

Salida de señales TTL/CMOS

- (1) Seleccione el **Rango (7)** y gire el mando **FREQUENCY (13)** hasta fijar la frecuencia deseada.
- (2) Conecte el conector BNC de salida **TTL/CMOS OUTPUT (20)** al osciloscopio para observar la señal de salida.
- (3) La salida es una forma de onda rectangular fija en el nivel TTL, adecuada para circuitos integrados TTL.
- (4) Si se necesitara una forma de onda rectangular de nivel CMOS, tire hacia afuera del mando giratorio **CMOS (10)** y ajústelo en los niveles de tensión requeridos.

Variación de la frecuencia controlada por tensión (VCF) externa

Este método permite al usuario ajustar la frecuencia del Generador de funciones utilizando una tensión de control CC externa.

- (1) Seleccione el botón de **Función (8)**, seleccione el **Rango (7)** y gire el mando **FREQUENCY (13)** hasta fijar la frecuencia deseada.
- (2) Conecte la tensión de control externa (0 ± 10 VCC) al terminal **VCF INPUT (21)** por medio de un cable adecuado y observe la señal generada en el terminal BNC de salida, **OUTPUT (22)**.
- (3) Otros ajustes: el mando giratorio **AMPL (12)** puede cambiar la amplitud de señal o atenuar la señal; el mando **OFFSET (11)** permite cambiar el nivel de CC; el mando **DUTY (8)** hace posible cambiar el índice de salida de la onda pulsatoria o de dientes de sierra, etc.

Barrido automático

- (1) Seleccione el botón de **Función (8)**, seleccione el **Rango (7)** y gire el mando **FREQUENCY (13)** hasta fijar la frecuencia de base deseada.
- (2) Conecte el terminal de salida **OUTPUT (22)** al osciloscopio para observar la señal de salida.
- (3) Gire el mando **FREQUENCY (13)** para determinar la frecuencia de límite superior.
- (4) Tire del mando **FREQUENCY (13)** para activar la función de barrido automático.
- (5) Gire los mandos **SWEEP/TIME (14)** y **SWEEP/RATE (16)** para ajustar el tiempo y la tasa de barrido.
- (6) Para seleccionar el modo de barrido LOG, tire hacia afuera del mando giratorio **SWEEP/TIME (14)**.

Nota: El ancho de barrido sólo podrá ajustarse durante el ciclo de barrido, el cual no puede detenerse.

Modulación AM/FM

- (1) Seleccione el botón de **Función (8)**, seleccione el **Range (7)** y gire el mando **FREQUENCY (13)** hasta fijar la frecuencia deseada.
- (2) Conecte el terminal de salida **OUTPUT (22)** al osciloscopio para observar la señal de salida.
- (3) Para la modulación FM, pulse el botón **MOD (15)** y tire hacia afuera del mando giratorio **MOD/DEPTH (16)**.
- (4) Para la modulación AM, pulse el botón **MOD (15)** y presione hacia dentro el mando giratorio **MOD/DEPTH (16)**.
- (5) Ajuste el mando giratorio **MOD/DEPTH (16)** hasta lograr el índice de modulación requerido.

Elementos de precaución

- (1) El mando giratorio **OFFSET (11)** ofrecerá una tensión de nivel CC de ± 10 V (sin carga) o de ± 5 V (con carga de 50Ω). No obstante, la amplitud de la señal, más el nivel de CC, está limitada a ± 20 V (sin carga) o ± 10 V (con carga de 50Ω). En caso de sobretensión, aparecerá un truncamiento como muestra la figura 6:
- (2) El terminal de salida principal OUTPUT está calibrado para una carga de 50Ω . Esto indica que la impedancia de la fuente de la señal es 50Ω . El terminal OUTPUT pueden estar conectado a cualquier impedancia de entrada de circuito, pero no se calibrará la tensión de salida ni la impedancia del terminal. Para evitar oscilaciones, el terminal OUTPUT deberá conectarse a una carga de 50Ω – (especialmente cuando se trabaja con frecuencias altas y salidas de onda rectangulares) y el cable de conexión deberá ser lo más corto posible.
- (3) Cuando el mando giratorio DUTY está girado completamente a la izquierda, la proporción de estado positivo a estado negativo no deberá ser menor que 80:20. Cuando el mando DUTY está girado completamente a la derecha, la proporción de estado positivo a estado negativo no deberá ser mayor que 20:80. Las ondas rectangulares pueden ampliarse a ondas pulsatorias; las ondas triangulares, a ondas con forma de dientes de sierra; y las ondas senoidales, a ondas senoidales asimétricas. La figura 7 muestra el efecto del ajuste del mando DUTY en diferentes formas de ondas.

Figura 6

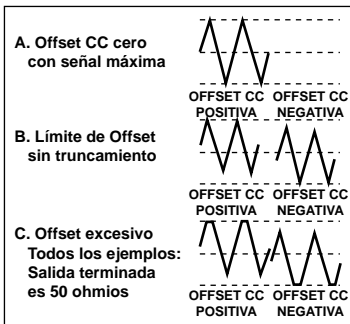
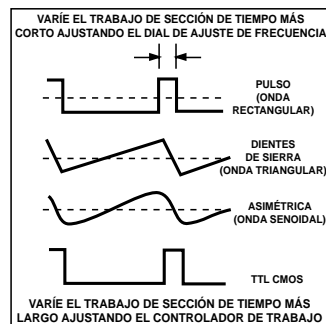


Figura 7



SUSTITUCIÓN DEL FUSIBLE (Véa las figuras 2 y 4)

Previamente: Desconecte los conectores de ensayo del circuito y del Generador de funciones. Apague el interruptor de alimentación y desconecte el cable de alimentación a la red de la parte posterior del Generador de funciones.

Advertencia: Si no se apaga el Generador de funciones y se retira el cable de alimentación del mismo antes de cambiar el fusible, el aparato o el propio usuario pueden sufrir graves daños.

Sustitución del fusible: Extraiga el fusible insertando la punta de un destornillador de cabeza plana en la muesca que hay al fondo del enchufe de alimentación. Extraiga el portafusible. Sustituya en fusible gastado por uno de los siguientes:

115 V AC 50/60 Hz: Fusible T0.315 A/250 V (5 mm x 20 mm), I.R. 100 kA – Wavetek p/n 2400-05-0069, Littell Fuse p/n 218.315 o Bussmann p/n. GDC-315 mA.

230 V AC 50/60 Hz: Fusible T0.160 A/250 V (5 mm x 20 mm), I.R. 100 kA – Wavetek p/n 2400-05-0070, Littell Fuse p/n 218.160 o Bussmann p/n. GDC-160 mA.

Advertencia: Utilice exclusivamente un fusible equivalente al especificado. El uso de un fusible inadecuado podría causar graves lesiones e incluso la muerte.

Montaje: Inserte el portafusible, con el nuevo fusible dentro, en su lugar y vuelva a conectar el cable de alimentación.

MANTENIMIENTO Y REPARACIÓN

Si detectase un funcionamiento incorrecto del Generador de funciones, siga los siguientes pasos para tratar de aislar la posible causa del problema: ① Vuelva a leer las instrucciones de funcionamiento del aparato para posibles errores en el modo de trabajar con el mismo. ② Inspeccione y pruebe los cables de ensayo por si hubiese alguna conexión rota o inestable. ③ Revise y pruebe el fusible. Consulte la sección "Sustitución del fusible" más arriba en este manual. Exceptuando la sustitución del fusible o los cables de ensayo, cualquier reparación del Generador de funciones deberá ser llevada a cabo solo por personal del Servicio de Asistencia Técnica Autorizado o por personal cualificado para la reparación de este tipo de instrumentos.

Tanto el panel frontal como el bastidor del aparato pueden limpiarse con una disolución suave de detergente y agua. Con un paño, aplique una cantidad mínima de dicha disolución y deje que el generador se seque del todo antes de volver a utilizarlo. No utilice hidrocarburos ni disolventes tratados con cloro para esta limpieza.

en EE.UU..
Wavetek Meterman
1420 75th Street SW
Everett, WA 98203
Tel: (877) 596-2680
Fax: (425) 446-6390

en Canadá
Wavetek Meterman
400 Britannia Rd. E. Unit #1
Mississauga, ON L4Z 1X9
Tel: (905) 890-7600
Fax: (905) 890-6866

en Europa
Wavetek Meterman
52 Hurricane Way
Norwich, NR6 6JB, U.K.
Tel: int + 44-1603-404824
Fax: int + 44-1603-482409

ESPECIFICACIONES

	FG2C	FG3C
1. Principales		
Rango de frecuencias	0,3 Hz a 3 MHz (7 rangos)	0,3 Hz a 3 MHz (7 rangos)
Amplitud	>10 Vpp (con carga de 50 Ω)	>10 Vpp (con carga de 50 Ω)
Impedancia	50 Ω \pm 10%	50 Ω \pm 10%
Atenuador	-20 dB \pm 1 dB x2	-20 dB \pm 1 dB x2
Offset CC	<-5 V a >+5 V (con carga de 50 Ω)	<-5 V a >+5 V (con carga de 50 Ω)
Control de ciclos de trabajo	80%:20%:80% a 1 MHz continuamente variable	80%:20%:80% a 1 MHz cont. variable
Pantalla LED	N/A	6 dígitos; 7,6 mm (0,3 pulgadas) de altura
Precisión de rango	\pm 5% +1 Hz (hasta la posición 3,0)	N/A
2. Onda senoidal		
Distorsión	\leq 1%, 0,3 Hz a 200 kHz THD \leq 35 dB por debajo de la fundamental en todos los rangos (Especificaciones de MAX. a nivel 1/10)	\leq 1%, 0,3 Hz a 200 kHz THD \leq 35 dB por debajo de la fundamental en todos los rangos (Especificaciones de MAX. a nivel 1/10)
Planidad	< 0,3 dB, 0,3 Hz hasta 300 kHz < 0,5 dB, 300 kHz hasta 3 MHz	< 0,3 dB, 0,3 Hz hasta 300 kHz < 0,5 dB, 300 kHz hasta 3 MHz
3. Onda triangular		
Lineal	\geq 98 %, 0,3 Hz hasta 100 kHz \geq 95 %, 100 kHz hasta 3 MHz	\geq 98 %, 0,3 Hz hasta 100 kHz \geq 95 %, 100 kHz hasta 3 MHz
4. Onda rectangular		
Simetría	\pm 2%, 0,3 Hz hasta 100 kHz	\pm 2%, 0,3 Hz hasta 100 kHz
Tiempo de subida o caída	\leq 100 ns con salida máxima. (carga de 50 Ω)	\leq 100 ns con salida máxima. (carga de 50 Ω)
5. Salida CMOS		
Nivel	4 Vpp \pm 1 Vpp hasta 14,5 Vpp \pm 0,5 Vpp ajustable	4 Vpp \pm 1 Vpp hasta 14,5 Vpp \pm 0,5 Vpp ajustable
Tiempo de subida o caída	\leq 120 ns	\leq 120 ns
6. Salida TTL		
Nivel	\geq 3 Vpp	\geq 3 Vpp
Salida en abanico	20 carga TTL	20 carga TTL
Tiempo de subida o caída	\leq 25 ns	\leq 25 ns
7. VCF		
Tensión de entrada	0 a 10 V \pm 1 V (100:1)	0 a 10 V \pm 1 V (100:1)
Impedancia de entrada	10 k Ω \pm 10%	10 k Ω \pm 10%
8. GCV		
Tensión de salida	N/A	Para establecer la tensión entre 0 y 2 como por frecuencia distinta

FG2C**FG3C****9. Barrido**

Barrido/Manual	N/A	Selector
Barrido/Tasa	N/A	100:1 de máxima y ajustable
Barrido/Tiempo	N/A	0,5 a 30 s ajustable
Barrido/Modo	N/A	selector Lin/Log

10. Modulación de amplitud

Profundidad	N/A	0 a 100%
Frecuencia de modulación	N/A	400 Hz (INT), CC a 1 MHz (EXT)
Ancho de banda de portadora	N/A	100 Hz a 3 MHz (-3 dB)
Sensibilidad EXT	N/A	≤ 10 Vpp para modulación 100

11. Modulación de frecuencia

Desviación	N/A	0 a ±5%
Frecuencia de modulación	N/A	400 Hz (INT), CC a 20 kHz (EXT)
Sensibilidad EXT	N/A	≤ 10 Vpp para modulación 10%

12. Contador de frecuencias

Int./Ext.	N/A	Selector
Rango	N/A	0,3Hz a 3MHz (5Hz a 150MHz EXT)
Precisión	N/A	Precisión basada tiempo ±1 unidad de cuenta
Base temporal	N/A	±20 ppm (23° C ±5° C) tras 30 min de calentamiento
Resolución	N/A	La resolución máxima es 10 nHz para 1 Hz y 1 kHz para 100 MHz
Impedancia de entrada	N/A	1 MΩ/150 pF
Sensibilidad	N/A	≤ 35 m Vrms (5 Hz a 100 MHz) ≤ 45 m Vrms (100 MHz a 150 MHz)

13. Generales

Pantalla LED	N/A	6 dígitos; 7,6 mm (0,3 pulgadas) de altura
Fuente de alimentación	115, 230 V CA ±15%, 50/60Hz	115, 230 V CA ±15%, 50/60Hz
Entorno de funcionamiento	Uso en interiores. Altitud máxima: 2000 m. Temperatura ambiente: 0° a 40° C. Humedad relativa 80% (máxima). EN61010-1, Categoría de instalación II, Grado de polución 2	
Temperatura y humedad de almacenamiento:	-10 a +70°C con una H.R. del 70% (máxima)	
Accesorios	1 cada RTL-1, Manual de instrucciones. Fusible de repuesto	2 cada RTL-1, Manual de instrucciones, Fusible de repuesto
Dimensiones	243 (largo) x 93 (alto) x 292 (fondo) mm	
Peso	2,0 kg, aprox.	2,2 kg, aprox.
Seguridad:	Cumple la norma EN61010-1:1993. Categoría de instalación II Grado de polución 2.	



EMC: Este producto cumple los requisitos de las siguientes Directivas de la Comunidad Europea: 89/336/EEC (Compatibilidad electromagnética) y 73/23/EEC (Baja tensión) y de acuerdo con las modificaciones introducidas por 93/68/EEC (Señales CE). En cualquier caso, la existencia de ruido eléctrico o de campos electromagnéticos intensos cerca del equipo pueden afectar al circuito de medición. Los instrumentos de medición también responderán a señales no deseadas que pueden estar presentes dentro del circuito de medición. Los usuarios deberían tener cuidado y tomar las precauciones necesarias para evitar resultados que puedan llevar a error al realizar las mediciones en presencia de interferencias eléctricas.

Générateur de Fonctions FG2C/FG3C

GARANTIE

Les Générateurs de Fonctions FG2C et FG3C sont garantis contre tout défaut de matériaux et de fabrication pour une période de un (1) an à partir de la date d'achat du générateur de fonctions par le premier utilisateur. Tout générateur de fonctions nécessitant une réparation pendant la période de garantie doit être renvoyé à un centre de services autorisé Wavetek ou le point de vente Wavetek où l'appareil a été acheté. Voir la section "Réparation & Maintenance" pour détails. Toutes les garanties résultant de l'achat d'un générateur de fonctions Wavetek, y inclus, mais non limité à sa mercantabilité ou la possibilité de son utilisation pour un usage particulier sont limitées en durée à une période d'un (1) an. Wavetek n'est pas responsable pour la perte d'utilisation du générateur de fonctions ou autres préjudices conséquencielis, dépenses ou perte économique. Certains états n'acceptent pas une limitation dans la durée des garanties impliquées ou l'exclusion ou la limitation des dommages conséquencielis, et donc certaines de ces restrictions peuvent ne pas s'appliquer à vous. Cette garantie vous donne des droits spécifiques, et vous pouvez avoir d'autres droits, qui varient de pays à pays ou d'état à état.

CERTIFICATIONS ET PRÉCAUTIONS

Cet instrument est certifié EN61010-1:1993, catégorie d'installation II, degré de pollution II. Toutes les entrées sont protégées contre des conditions de surcharge continue jusqu'à la limite indiquée pour chaque fonction (voir spécifications). Ne dépassez jamais ces limites ou les limites marquées sur l'appareil. Vérifiez votre générateur de fonctions, les cordons de test et les accessoires avant chaque utilisation. N'utilisez pas l'appareil si vous détectez une anomalie (cordon de test rompu ou endommagé, fissure dans le boîtier, absence d'affichage, etc.) Ne touchez pas le potentiel de terre (tuyaux, conducteurs, accessoires) quand vous prenez une mesure. Isolez-vous (chaussures, tapis isolant, etc). N'utilisez pas l'appareil dans une atmosphère explosive (gaz, fumées, poussière inflammables). N'utilisez pas cet appareil ou tout autre appareil de mesure sans formation adéquate.



DANGER Haute Tension



ATTENTION: Afin d'éviter des chocs électriques, connectez le conducteur de terre du cordon d'alimentation à la masse.



ATTENTION Référez vous au manual



ATTENTION: Afin d'éviter des dégâts à l'appareil, ne l'utilisez pas à des températures dépassant les 40°C.



Borne pour conducteur de protection



ATTENTION: Afin d'éviter des dégâts à l'appareil, n'appliquez pas plus de 15Vcc à l'entrée VCF.



Borne de cadre ou de châssis



ATTENTION: Afin d'éviter des dégâts à l'appareil, n'appliquez pas plus que 150Vca au compteur de fréquence (FG3C uniquement).



ATTENTION: Afin d'éviter des dégâts à l'appareil, n'appliquez pas plus que 10Vcc pendant une modulation EXT (FG3C uniquement).

TABLE DE MATIÈRES

	Page		Page
Garantie	31	Description des contrôles	35
Certifications et précautions	31	Utilisation du générateur de fonctions	36
Information de sécurité	31	Maintenance et réparation	39
Introduction	32	Spécifications	39

PRÉPARATIFS – DÉBALLAGE

La boîte d'emballage devrait contenir: le générateur de fonctions, un câble de 1m – BNC vers pinces crocodile, un câble d'alimentation, un fusible de réserve, et ce manuel. Si une pièce manque ou est endommagée, retournez à votre point de vente pour un échange.

INTRODUCTION

Les générateurs de fonctions FG2C et FG3C sont des instruments stables, à faible distortion, qui génèrent des formes d'ondes sinusoïdales, triangulaires et carrées à des fréquences jusqu'à 3 MHz. Le FG2C possède des contrôles d'amplitude, de décalage et de rapport de cycle. Les sorties sont Principale (Main) (50 Ω) et logique (TTL et CMOS). Le FG3C a les mêmes fonctions que le FG2C, plus balayage interne (Log/Linear), modulation (AM/FM), VCF/MOD externe, des entrées de compteur et sortie GCV. Le compteur peut être utilisé pour mesurer et afficher la fréquence d'un signal externe jusqu'à 150 MHz.

TABLE DE COMPARAISON DES MODÈLES:

CHARACTÉRISTIQUE / MODÈLE	FG2C	FG3C
Modulation AM/FM	na	X
Contrôle de Balayage	na	X
Entrée Compteur	na	X
Sortie GCV	na	X
Sortie TTL/CMOS	X	X
Entrée VCF	X	X
Contrôle dy rapport de cycle	X	X

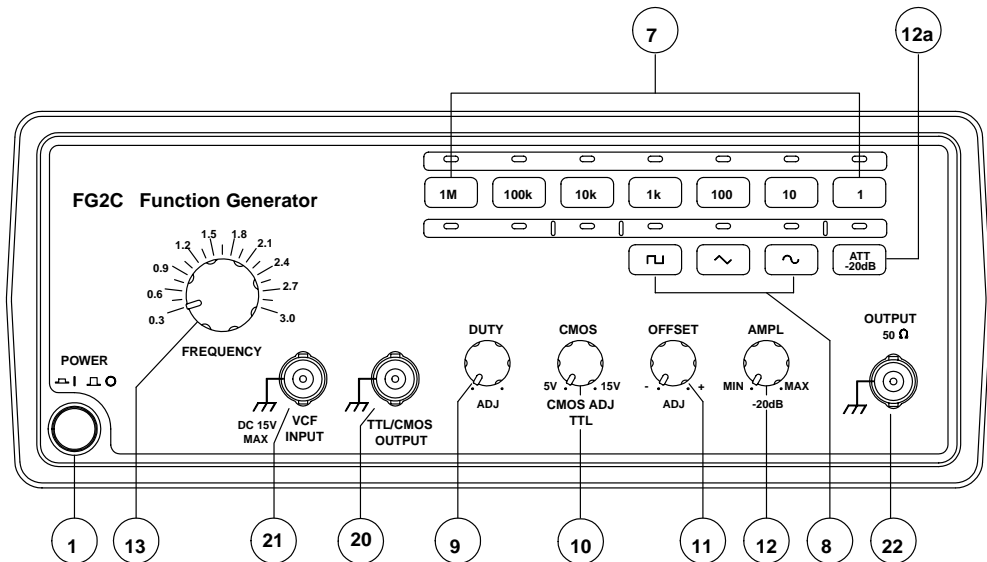


Fig. 1 Panneau avant FG2C

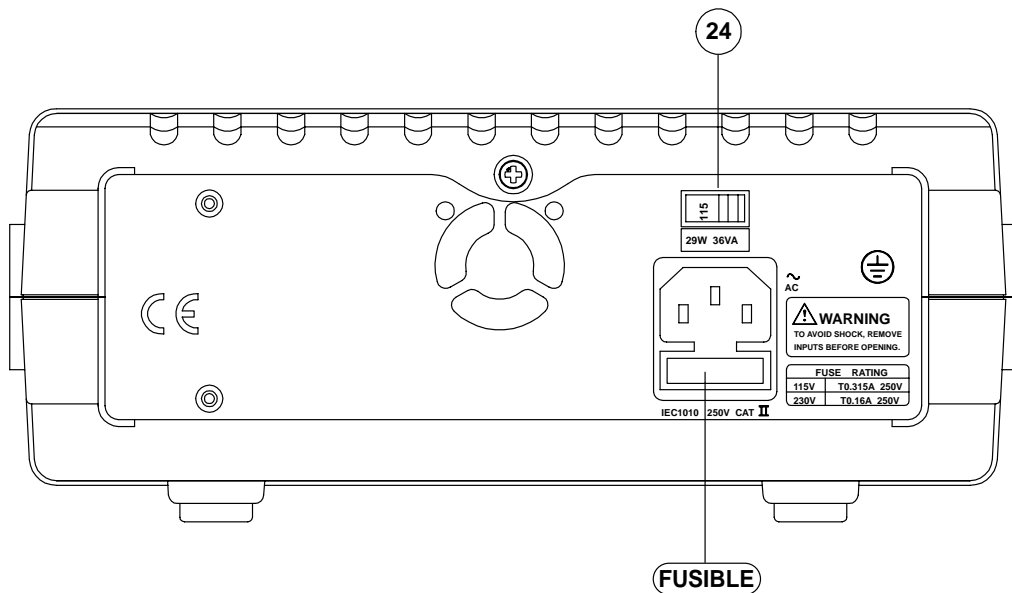


Fig. 2 Panneau arrière FG2C

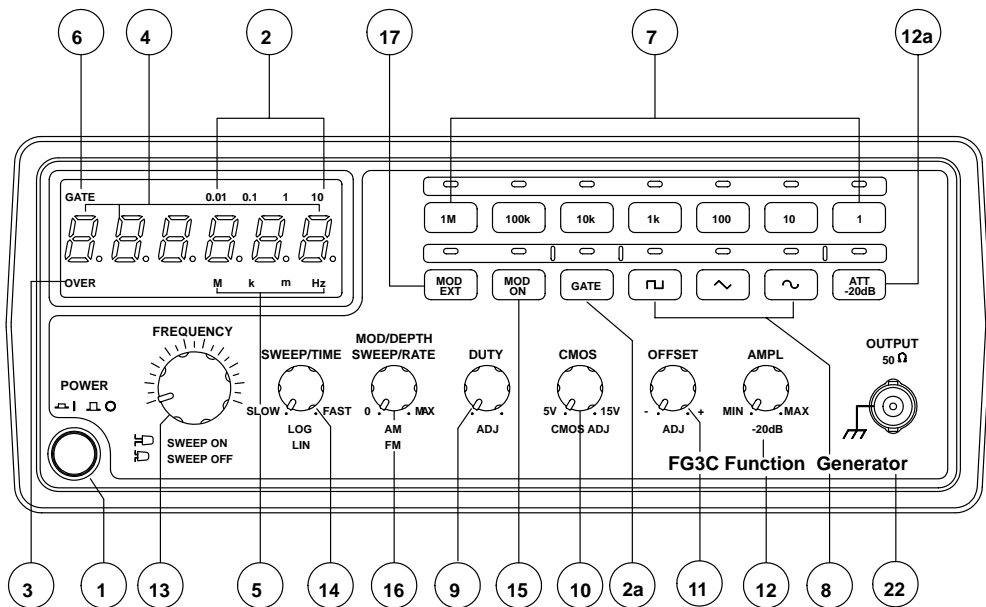


Fig. 3 Panneau Avant FG3C

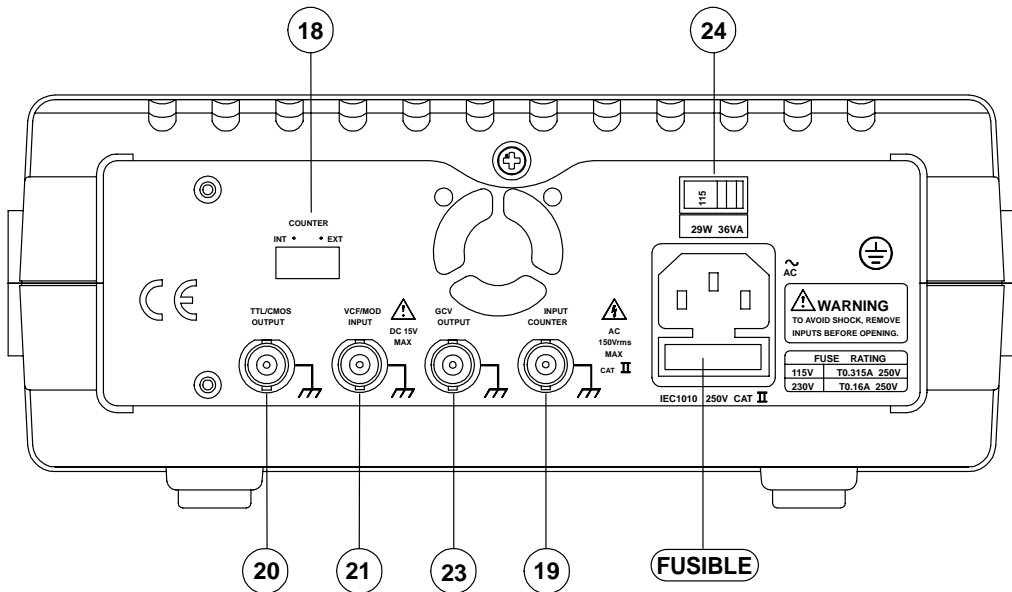


Fig. 4 Panneau Arrière FG3C

DESCRIPTION DES CONTRÔLES

PANNEAU AVANT

1. **Interrupteur**
Met l'appareil sous tension.
2. **Indicateur d'Intervalle**
Indicateur d'intervalle de porte (l'intervalle de porte du compteur interne est de 0.01 seconde).
- 2a. **Sélecteur du Temps de Porte**
Pressez ce bouton pour changer le temps de porte quand vous utilisez le mode Compteur Externe (EXternal). Vous pouvez sélectionner 0.01s, 0.1s, 1s, ou 10s en pressant ce bouton.
3. **Indicateur de Dépassement de Gamme**
Dans le mode Compteur Externe, ce voyant est illuminé quand la fréquence appliquée dépasse la gamme sélectionnée.
4. **Afficheur**
La fréquence externe est affichée par un affichage vert de six digits, et la fréquence interne par un affichage vert de cinq digits.
5. **Indicateur de Fréquence**
Indique le multiplicateur de la valeur de fréquence en usage.
6. **Indicateur de Temps de Porte**
Clignote au début de chaque intervalle.
7. **Sélecteur de Gamme de Fréquence**
Sélectionnez la gamme de fréquence requise en pressant le bouton adéquat comme indiqué par le tableau 1.

Tableau 1	Bouton	Gamme de Fréquence
	1	0.3Hz à 3Hz
	10	3Hz à 30Hz
	100	30Hz à 300Hz
	1k	300Hz à 3kHz
	10k	3kHz à 30kHz
	100k	30kHz à 300kHz
	1M	300kHz à 3MHz

8. **Sélecteur de Fonctions**
Pressez l'un des trois boutons pour sélectionner la forme d'onde souhaitée.
9. **Rapport de Cycle**
Tirez et tournez ce bouton pour ajuster le rapport de cycle.
10. **Sélecteur TTL/CMOS**
Quand le bouton est enfoncé, une sortie compatible TTL est présente à la **borne BNC (20)**. Si le bouton est tiré, une rotation du bouton ajuste la sortie compatible CMOS (5 -15Vcc) à la **borne BNC (20)**.
11. **Contrôle du Décalage CC**
Tirez le bouton pour sélectionner un niveau CC de la forme d'onde, allant de -10 à +10V. Tournez le bouton dans le sens des aiguilles d'une montre pour un décalage positif et dans le sens contraire des aiguilles d'une montre pour un décalage négatif.
12. **Contrôle de l'Amplitude de Sortie**
Tournez dans le sens des aiguilles d'une montre pour une sortie MAX et dans le sens contraire pour une sortie MIN. Tirez le bouton pour une atténuation supplémentaire de 20dB.
- 12a. **Atténuation de 20dB**
Pressez le bouton pour réduire le niveau de sortie de 20dB .
13. **Sélecteur FREQ/SWEEP (balayage) et Ajustage de Fréquence**
(Balayage actif/non-actif): Tournez le bouton dans le sens des aiguilles d'une montre pour une fréquence MAX et dans le sens contraire pour une fréquence MIN. (Gardez le pointeur du bouton dans le cadran du panneau). Tirez le bouton pour démarrer le fonction Balayage automatique; la fréquence supérieure est déterminée par la position du bouton.

14 Temps de Balayage

Bouton de Contrôle et LIN/LOG:

(1) Tournez le bouton dans le sens des aiguilles d'une montre pour ajuster le temps de balayage vers MAX et dans le sens contraire pour MIN.

(2) Sélectionnez le mode Linéaire en poussant le bouton ou le mode LOG en tirant le bouton.

15. Sélecteur MOD actif/inactif

Pressez le bouton une fois – le voyant s'allume et la sortie est modulée par une onde sinusoïdale interne de 400Hz; pressez le bouton à nouveau – le voyant s'éteint et la sortie est modulée par un signal externe via **VCF/MOD** à la borne **(21)**.

16. MOD/DEPTH (profondeur)

Sélecteur SWEEP RATE (taux de balayage) et AM/FM:

(1) La plage de balayage peut être contrôlée de 0 à 1000.

(2) Ajustez le taux de modulation en tournant le bouton dans le sens des aiguilles d'une montre pour MAX et dans le sens contraire pour MIN.

(3) Sélectionnez le mode AM (modulation amplitude) en poussant le bouton ou le mode FM (modulation de fréquence) en tirant le bouton.

17 Sélecteur MOD EXT

Pressez le bouton une fois – le voyant s'allume et la MODulation EXTerne est sélectionnée. Pressez le bouton à nouveau et la MODulation INTerne est sélectionnée.

PANNEAU AVANT OU PANNEAU ARRIÈRE

18. Sélecteur Compteur INT/EXT

Sélectionnez le mode Compteur Interne (compte la fréquence de la sortie du FG3C) ou compteur EXT pour compter la fréquence d'un signal d'entrée à la borne **BNC (19)**.

19. **Borne d'entrée EXT.**: Sert à connecter des signaux externes pour la mesure de la fréquence.

20. Borne de sortie TTL/CMOS

Sortie de signal compatible TTL/CMOS

21. VCF/MOD

Borne d'entrée de tension pour le contrôle de la fréquence ou pour modulation EXT.

22. Borne de Sortie Principale

Le signal de sortie est calibré pour une charge de 50 Ω .

23. Sortie GCV

La sortie est une tension CC, proportionnelle à la fréquence.

24. Sélecteur 115/230

Permet d'adapter l'appareil à la tension du secteur.

Les fonctions numérotées 2, 2a, 3, 4, 5, 6, 14, 15, 16, 17, 18, 19, et 23 ne s'appliquent pas au modèle FG2C.

PROCEDURES D'UTILISATION

Cette section décrit les procédures à suivre pour utiliser les fonctions de l'appareil.

La meilleure façon d'observer les formes d'onde, est de connecter le générateur de fonctions à un oscilloscope. Ceci vous permet d'observer les effets des différents contrôles sur le forme d'onde affichée quand vous exécutez les procédures décrites ci-après.

Premier Contrôle:

(1) Assurez-vous que le **sélecteur de tension (24)** à l'arrière de l'appareil est bien mis sur la tension qui correspond à la tension du secteur. Raccordez l'appareil au secteur en utilisant le cordon d'alimentation fourni.

(2) Pressez le bouton **PWR (1)**, assurez-vous que tous les boutons rotatifs sont poussés, et tournez le bouton **AMPL (12)** jusqu'au bout dans le sens contraire des aiguilles d'une montre.

(3) Tournez le bouton **FREQ (13)** jusqu'au bout dans le sens contraire des aiguilles d'une montre.

Ondes Triangulaire, Carrée et Sinusoïdale

(1) Sélectionnez **Function (8)**, sélectionnez la gamme **Range (7)**, et tournez le bouton **FREQUENCY (13)** pour ajuster la fréquence souhaitée (suivez la lecture de **l'afficheur (4)**).

(2) Connectez la sortie **Output (22)** à l'oscilloscope pour observer la forme d'onde.

(3) Tournez le bouton **AMPL (12)** pour contrôler l'amplitude du signal.

- (4) Si une atténuation du signal de sortie est requise, tirez le bouton **AMPL (12)** pour obtenir une atténuation de 20dB, ou pressez le bouton **ATT -20dB (12a)** pour une atténuation supplémentaire de 20dB.
- (5) Le rapport de phase du signal de sortie et la forme du signal TTL sont montrés par la figure 5.

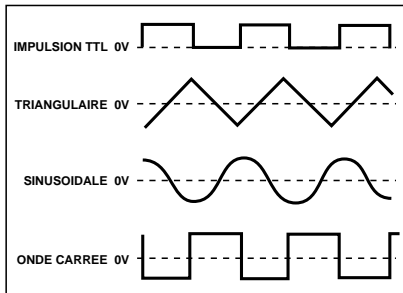


Figure 5

Génération d'Un Signal Carré

- (1) Pressez le bouton **Fonction** \square (**8**), sélectionnez la gamme avec **Range (7)**, et tournez le bouton **FREQUENCY (13)** pour ajuster la fréquence désirée.
- (2) Connectez la borne **OUTPUT (22)** à l'oscilloscope pour observer le signal de sortie.
- (3) Tirez et tournez le bouton **Duty (9)** pour ajuster la largeur de l'onde carrée.
- (4) Tournez le bouton **AMPL (12)** pour régler l'amplitude du signal.
- (5) Tirez le bouton **AMPL (12)** pour atténuer le signal de sortie de 20dB.

Génération d'un Signal en Dents de Scie

- (1) Pressez le bouton de fonctions **Fonction** \wedge (**8**), sélectionnez la gamme avec **Range (7)**, tournez le bouton **FREQUENCY (13)** pour ajuster la fréquence désirée.
- (2) Connectez la borne **OUTPUT (22)** à l'oscilloscope pour observer le signal de sortie.
- (3) Tirez et tournez le bouton **Duty (9)** pour ajuster la rampe du signal.
- (4) Tournez le bouton **AMPL (12)** pour régler l'amplitude du signal.
- (5) Tirez le bouton **AMPL (12)** pour atténuer le signal de sortie de 20dB.

Sortie d'un Signal TTL/CMOS

- (1) Sélectionnez **Range (7)**, et tournez le bouton **FREQUENCY (13)** pour ajuster la fréquence.
- (2) Connectez le connecteur BNC de **TTL/CMOS (20)** à l'oscilloscope pour observer le signal de sortie.
- (3) La sortie est une onde carrée fixée au niveau TTL, compatible avec les circuits intégrés TTL.
- (4) Si un signal de niveau CMOS est requis, tirez le bouton **CMOS (10)** et ajustez le niveau du signal.

Contrôle de la Fréquence par une Tension Externe (VCF)

Ce mode de fonctionnement permet d'ajuster la fréquence générée avec une tension de contrôle CC externe.

- (1) Sélectionnez la **Fonction (8)**, Sélectionnez la gamme **Range (7)**, et tournez le bouton **FREQUENCY (13)** pour ajuster la fréquence de sortie.
- (2) Connectez une tension de contrôle externe ($0 \pm 10V_{cc}$) à la borne **VCF (21)** à moyen d'un câble approprié, et observez le signal de sortie à la **Borne BNC (22)**.
- (3) Autres réglages: ajustez l'amplitude du signal avec le bouton **AMPL (12)**, ou atténuez le signal; changez le niveau de la composante CC avec **Offset (11)**, tournez le bouton **Duty (8)** pour changer le rapport de cycle, etc..

Balayage Auto

- (1) Sélectionnez la fonction avec le bouton **Fonction (8)**, sélectionnez la gamme avec **Range (7)**, et tournez le bouton **FREQUENCY (13)** pour ajuster la fréquence souhaitée.
- (2) Connectez la **borne de sortie (22)** à l'oscilloscope afin d'observer le signal de sortie.
- (3) Tournez le bouton **FREQUENCY (13)** pour ajuster la limite supérieure de la fréquence.
- (4) Tirez le bouton **FREQUENCY (13)** pour activer le mode balayage.
- (5) Tournez les boutons **SWEEP/TIME (14)** et **SWEEP RATE (16)** pour ajuster le temps de balayage et la fréquence de balayage.
- (6) Tirez le bouton **SWEEP/TIME (14)** pour sélectionner le mode LOG.

Note: La largeur de balayage peut être ajustée pendant le cycle de balayage, mais le cycle de balayage ne peut être arrêté.

Fonctionnement AM/FM

- (1) Sélectionnez **Fonction (8)**, sélectionnez la gamme avec **Range (7)**, et tournez le bouton **FREQUENCY (13)** pour ajuster la fréquence.
- (2) Connectez la **Borne (22)** à l'oscilloscope pour observer le signal de sortie.

- (3) Pour une modulation FM, pressez le bouton **MOD (15)** et tirez le bouton **MOD/DEPTH (16)**.
- (4) Pour une modulation AM, pressez le bouton **MOD (15)** et poussez le bouton **MOD/DEPTH (16)**.
- (5) Tournez le bouton **MOD/DEPTH (16)** pour ajuster le rapport de modulation souhaité.

PRÉCAUTIONS

- (1) Le bouton **DC OFFSET (11)** ajoute un niveau de tension CC de $\pm 10V$ (sans charge) ou $\pm 5V$ (avec une charge de 50Ω). Cependant, l'amplitude du signal, y compris la composante CC est limitée à $\pm 20V$ (sans charge) ou à $\pm 10V$ (charge de 50Ω). En cas de dépassement, le signal est tronqué, comme indiqué en figure 6.
- (2) La sortie principale est calibrée pour une charge de 50Ω . L'impédance de source est également de 50Ω . La sortie du générateur peut être connectée à un circuit avec n'importe quelle autre impédance d'entrée, mais la tension de sortie ainsi que l'impédance de sortie ne seront pas calibrées. Pour éviter un phénomène d'oscillation, la borne de sortie doit être connectée à une impédance de 50Ω (spécialement dans le cas d'une onde carrée à haute fréquence), et le câble de connection doit être le plus court possible.
- (3) Quand le bouton DUTY est tourné pleinement dans le sens contraire des aiguilles d'une montre, le rapport de cycle positif par rapport au cycle négatif ne doit pas être inférieur à 80:20. Quand le bouton DUTY est tourné pleinement dans le sens des aiguilles d'une montre, le rapport entre le cycle positif et le cycle négatif ne doit pas être supérieur à 20:80. Des ondes carrées peuvent être modifiées en ondes rectangulaires, des ondes triangulaires en dents de scie, et des ondes sinusoïdales en ondes sinusoïdales déformées. La figure 7 montre l'effet du réglage DUTY sur différentes formes d'onde.

Figure 6

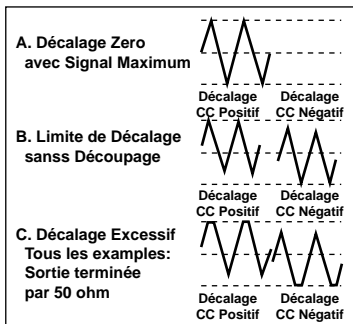
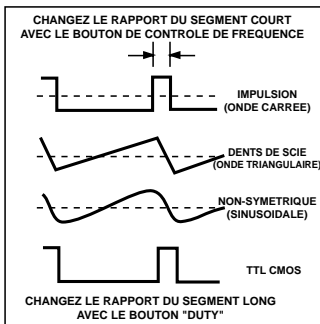


Figure 7



REPLACEMENT DU FUSIBLE (Voir Figures 2 et 4)

Préliminaire: Déconnectez les cordons de mesure du générateur de fonctions. Eteignez l'appareil, et retirez le cordon d'alimentation à l'arrière de l'appareil.

Attention: Ne pas éteindre le générateur de fonctions, et ne pas retirer les cordons de mesure et d'alimentation avant de remplacer le fusible principal, peut endommager l'appareil et blesser l'utilisateur.

Remplacement du fusible: Retirez le fusible en insérant la lame d'un petit tournevis plat dans la fente à la base du connecteur d'alimentation. Glissez le porte-fusible vers l'extérieur. Remplacez le fusible comme indiqué ci-dessous:

115 VAC 50/60 Hz: Fusible T0.315A/250V (5mm x 20mm), I.R. 100kA – Wavetek p/n 2400-05-0069, Littell Fuse p/n 218.315, ou Bussmann p/n. GDC-315mA.

230 VAC 50/60 Hz: Fusible T0.160A/250V (5mm x 20mm), I.R. 100kA – Wavetek p/n 2400-05-0070, Littell Fuse p/n 218.160, ou Bussmann p/n. GDC-160mA.

Attention: Utilisez seulement un fusible équivalent à celui qui est spécifié. L'utilisation d'un fusible incorrect peut entraîner des blessures graves, voir fatales.

Réassemblage: Glissez le porte-fusible dans son logement et branchez le cordon d'alimentation.

MAINTENANCE & RÉPARATION

En cas de mal fonctionnement pendant l'utilisation du générateur, procédez comme suit pour isoler la cause du problème: ① Consultez ce manuel pour voir s'il n'y a pas une erreur de procédure. ② Inspectez et testez les cordons de mesure pour détecter une éventuelle rupture ou un contact intermittent. ③ Inspectez et testez le fusible. Voir "Remplacement du Fusible". A l'exception du remplacement du fusible ou des cordons de mesure, une réparation du générateur de fonctions doit être effectuée par un centre de services agréé ou un technicien qualifié.

Le panneau avant et le boîtier peuvent être nettoyés avec de l'eau et un détergent doux. Appliquez parcimonieusement avec un chiffon doux, et laissez sécher l'appareil complètement avant utilisation.

en U.S.A.
Wavetek Meterman
1420 75th Street SW
Everett, WA 98203
Tel: (877) 596-2680
Fax: (425) 446-6390

en Canada
Wavetek Meterman
400 Britannia Rd. E. Unit #1
Mississauga, ON L4Z 1X9
Tel: (905) 890-7600
Fax: (905) 890-6866

en Europa
Wavetek Meterman
52 Hurricane Way
Norwich, NR6 6JB, U.K.
Tel: int + 44-1603-404824
Fax: int + 44-1603-482409

SPÉCIFICATIONS

	FG2C	FG3C
1. Spécifications Principales		
Gamme de fréquence	0.3 Hz à 3 MHz (7 gammes)	0.3 Hz à 3 MHz (7 gammes)
Amplitude	>10Vcc (dans 50Ω)	>10Vcc (dans 50Ω)
Impédance	50Ω ±10%	50Ω ±10%
Atténuateur	-20dB ±1dB x2	-20dB ±1dB x2
Décalage CC	<-5V à >+5V (dans 50Ω)	<-5V à >+5V (dans 50Ω)
Contrôle de Cycle	80%:20%:80% à 1MHz, en continu	80%:20%:80% à 1MHz, en continu
Affichage LED	N/A	6 chiffres; 7.6mm de haut
Précision de gamme	±5% +1 Hz (position 3.0)	N/A
2. Onde Sinusoïdale		
Distortion	≤1 %, 0.3 Hz à 200 kHz THD ≤35dB sous fondamentale, toutes gammes (Spécification s'applique de MAX. à niveau 1/10)	≤1 %, 0.3 Hz à 200 kHz THD ≤35dB sous fondamentale, toutes gammes (Spécification s'applique de MAX. à niveau 1/10)
Linéarité	< 0.3dB, 0.3 Hz à 300 kHz < 0.5dB, 300 kHz à 3 MHz	< 0.3dB, 0.3 Hz à 300 kHz < 0.5dB, 300 kHz à 3 MHz
3. Onde Triangulaire		
Plage	≥ 98 %, 0.3 Hz à 100 kHz ≥ 95 %, 100 kHz à 3 MHz	≥ 98 %, 0.3 Hz à 100 kHz ≥ 95 %, 100 kHz à 3 MHz
4. Onde Carrée		
Symétrie	±2%, 0.3 Hz à 100 kHz	±2%, 0.3 Hz à 100 kHz
Temps de montée et de descente	≤ 100ns à sortie maximum. (dans 50Ω)	≤ 100ns à sortie maximum. (dans 50Ω)
5. Sortie CMOS		
Niveau	4Vcc ±1Vcc à 14.5Vcc ±0.5Vcc ajustable	4Vcc ±1Vcc à 14.5Vcc ±0.5Vcc ajustable
Temps de montée/descente	≤ 120ns	≤ 120ns
6. Sortie TTL		
Niveau	≥ 3Vcc	≥ 3Vcc
Puissance	20 charges TTL	20 charges TTL
Temps de montée/descente	≤ 25ns	≤ 25ns
7. VCF		
Tension d'entrée	0 à 10V ±1V(100:1)	0 à 10V ±1V(100:1)
Impédance d'entrée	10kΩ ±10%	10kΩ ±10%
8. GCV (Sortie de tension proportionnelle à la fréquence)		
Tension de sortie	N/A	Ajustez la tension entre 0 et 2V
9. Balayage		
Balayage/Manuel	N/A	par sélecteur
Rapport de balayage	N/A	100:1 max., ajustable
Temps de balayage	N/A	0.5 Sec à 30 Sec, ajustable
Mode de balayage	N/A	sélecteur Lin./Log.

FG2C**FG3C****10. Modulation d'Amplitude**

Profondeur	N/A	0 à 100%
Fréquence de modulation	N/A	400 Hz (INT), CC à 1 MHz (EXT)
Onde de base	N/A	100 Hz à 3 MHz (-3dB)
Sensibilité EXT	N/A	≤10Vcc pour modulation 100 %

11. Modulation de Fréquence

Déviation	N/A	0 à ±5%
Fréquence de modulation	N/A	400Hz (INT), DC à 20 kHz (EXT)
Sensibilité EXT	N/A	≤10Vcc pour une modulation de 10%

12. Compteur de Fréquence

Int./Ext.	N/A	Par sélecteur
Gamme	N/A	0.3 Hz à 3 MHz (5 Hz à 150 MHz EXT)
Précision	N/A	Précision de la base de temps ±1 digit
Base de temps	N/A	±20ppm (23°C ±5°C) après un échauffement de 30 minutes
Résolution	N/A	La résolution maximum est 10 nHz pour 1Hz et 1 kHz pour 100MHz
Impédance d'entrée	N/A	1MΩ/150pF
Sensibilité	N/A	≤ 35mVrms (5Hz à 100MHz) ≤ 45m Vrms (100MHz à 150MHz)

13. Général

Afficheur LED	N/A	6 digits; 7.6mm de hauteur
Alimentation	115, 230VAC ±15%, 50/60Hz	115, 230VAC ±15%, 50/60Hz
Environnement d'utilisation	Utilisation intérieure, Altitude jusqu'à 2000m. Température ambiante 0°C à 40°C Humidité relative 80% (maximum). EN61010-1, Catégorie d'installation II, Degré de pollution 2	
Température stockage/humidité	-10 °C à 70°C, 70% H.R. (maximum).	
Accessoires	Un RTL-1, Manuel, Fusible de réserve	2 RTL-1, Manuel, Fusible de réserve
Dimensions	243(L) x 93(H) x 292(P) mm	
Poids	Approx. 2.0 kg	Approx. 2.2 kg
Sécurité	Selon EN61010-1:1993. Catégorie d'installation II, degré de pollution 2.	



EMC: Ce produit est conforme aux exigences des directives suivantes de la Communauté Européenne: 89/336/EEC (Compatibilité Electromagnétique) et 73/23/EEC (Basse Tension), modifiée par 93/68/EEC (CE Marking).

Cependant, du bruit électrique ou des champs électromagnétiques intenses dans la proximité de l'instrument peuvent influencer le circuit de mesure. L'instrument peut également être perturbé par des signaux parasites dans le circuit mesuré. L'utilisateur doit être vigilant et prendre des précautions appropriées pour éviter des résultats erronés quand

les mesures sont prises en présence d'interférences électromagnétiques.



Manual Revision 08/00

Manual Part Number 1566418

Information contained in this manual is proprietary to Wavetek Meterman and is provided solely for instrument operation and maintenance. The information in this document may not be duplicated in any manner without the prior approval in writing from Wavetek Meterman. Specifications subject to change.

Wavetek is a trademark of
Wavetek Wandel Golterman

© Wavetek Meterman, 2000

U.S. Service Center
Wavetek Meterman
1420 75th Street SW
Everett, WA 98203
Tel: (877) 596-2680
Fax: (425) 446-6390

Canadian Service Center
Wavetek Meterman
400 Britannia Rd. E. Unit #1
Mississauga, ON L4Z 1X9
Tel: (905) 890-7600
Fax: (905) 890-6866

European Distribution Center
Wavetek Meterman
52 Hurricane Way
Norwich, NR6 6JB, England
Tel: (44) 1603-404-824
Fax: (44) 1603-482-409