

6

5

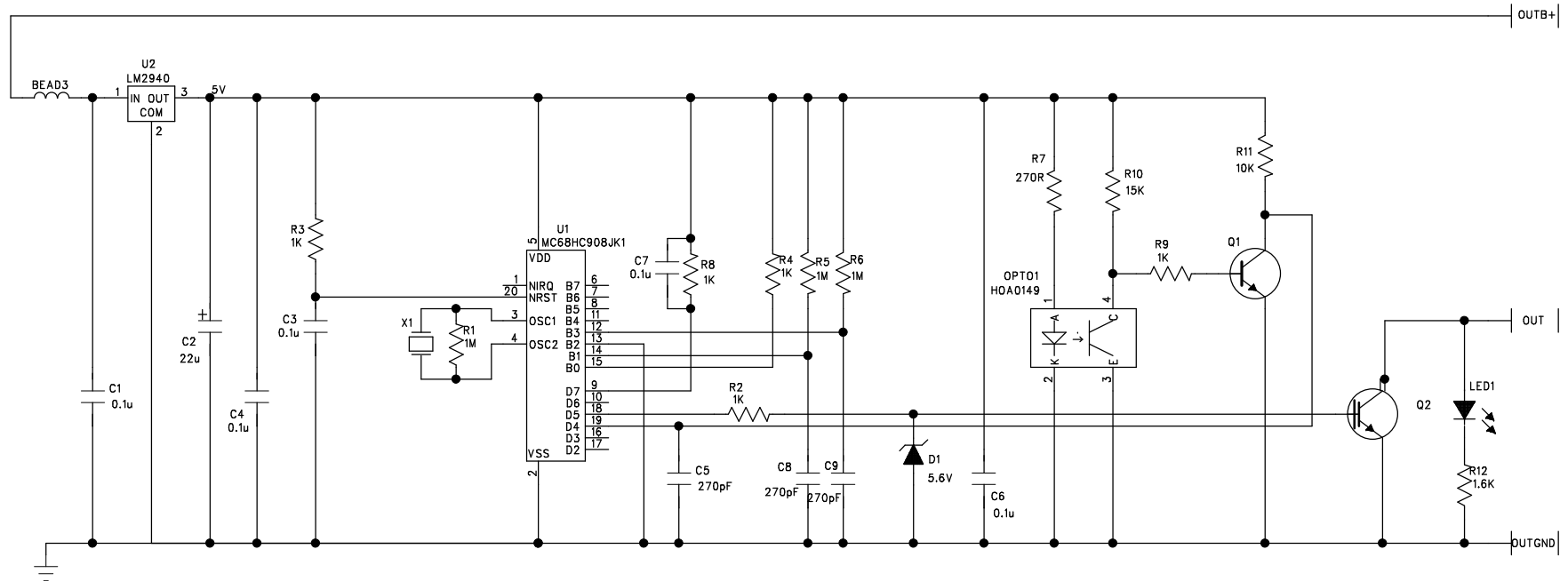
4

3

2

1

REVISION RECORD			
LTR	ECO NO:	APPROVED:	DATE:



COMPANY:			
TITLE: JK-based Pulse Delay Circuit with power integrated			
February 2013			
CODE:	SIZE:	DRAWING NO:	REV: 4
SCALE:		SHEET: OF	