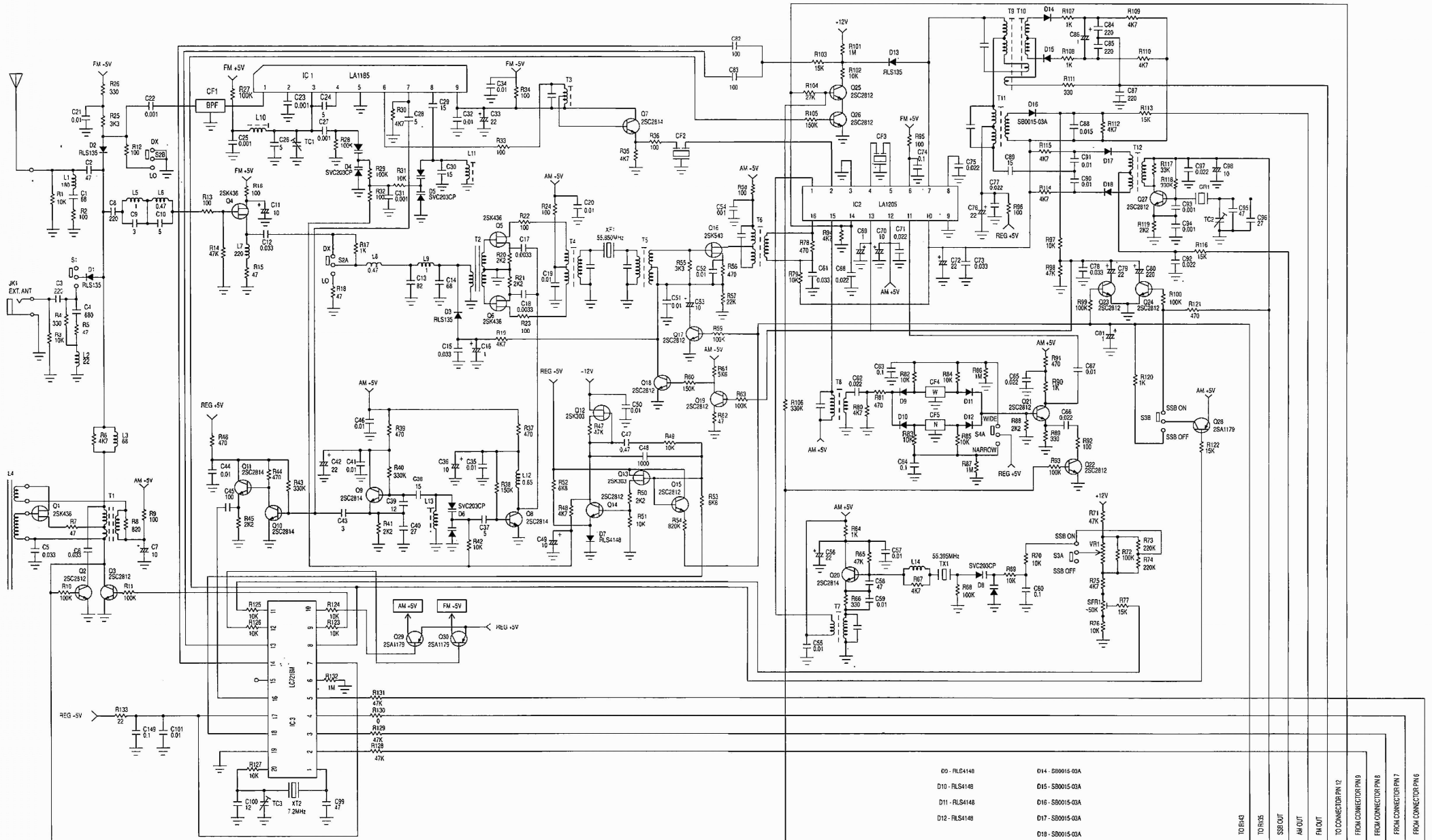


Schaltplan HF-Teil / Circuit Diagram RF Part



- D0 - RLS4148
 - D10 - RLS4148
 - D11 - RLS4148
 - D12 - RLS4148
 - D14 - SB9015-03A
 - D15 - SB9015-03A
 - D16 - SB9015-03A
 - D17 - SB9015-03A
 - D18 - SB9015-03A
- TO RH4
TO BUS
SSB OUT
AM OUT
FM OUT
TO CONNECTOR PM 12
FROM CONNECTOR PM 9
FROM CONNECTOR PM 8
FROM CONNECTOR PM 7
FROM CONNECTOR PM 6

zu S. 3-4 / to p. 3-4

Schaltplan NF-Teil, Bedienteil und Spannungsversorgung/Circuit Diagram AF Part, Operating Part and Power Supply

zu S. 3-2 / to p. 3-2

