

RTV servis Horvat

Kešinci, 31402 Semeljci

031-856-139

031-856-637

098-788-319

rtv-servis-horvat@os.tel.hr

Croatia

1

2

3

4

5

6

7

A

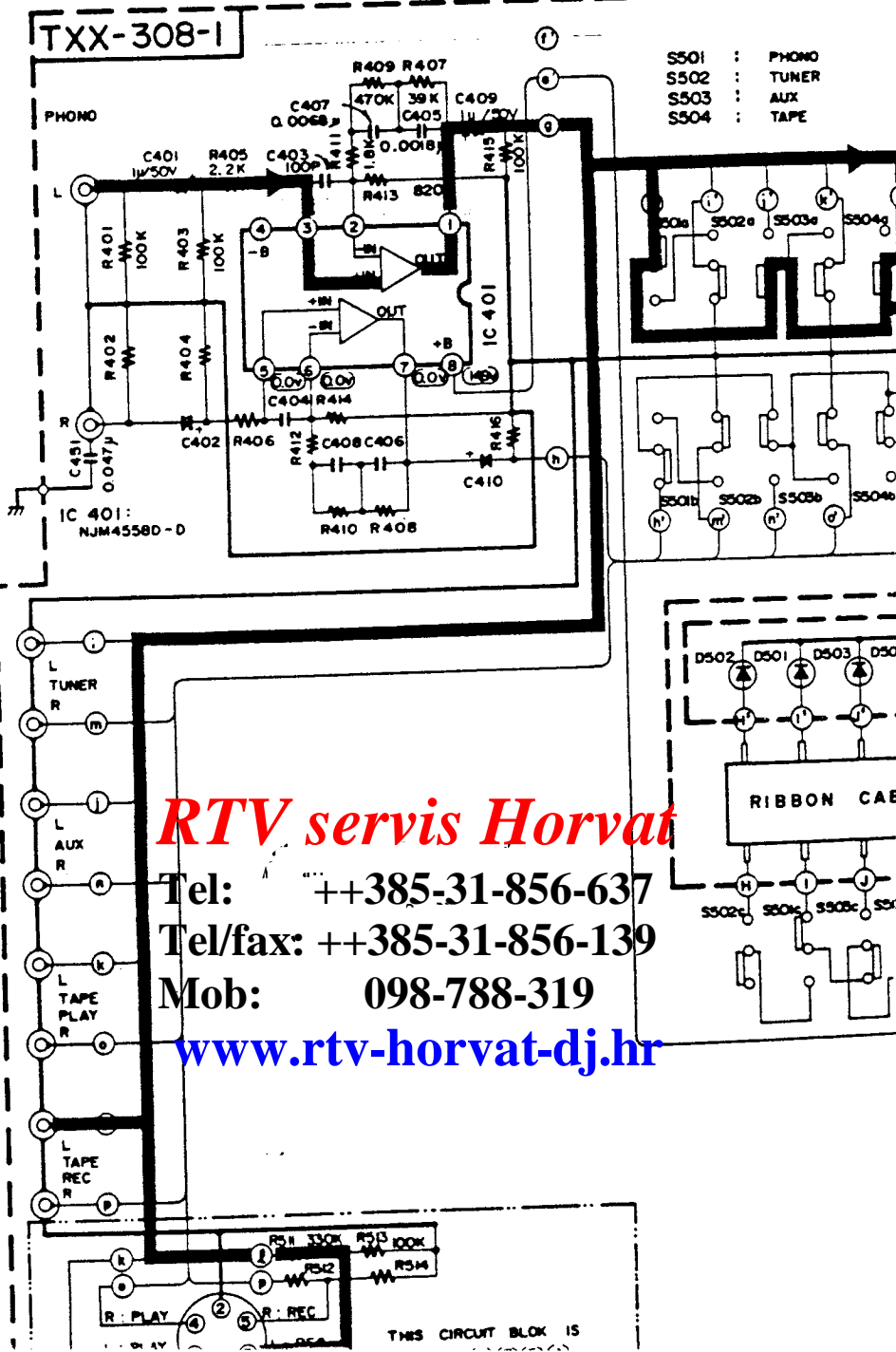
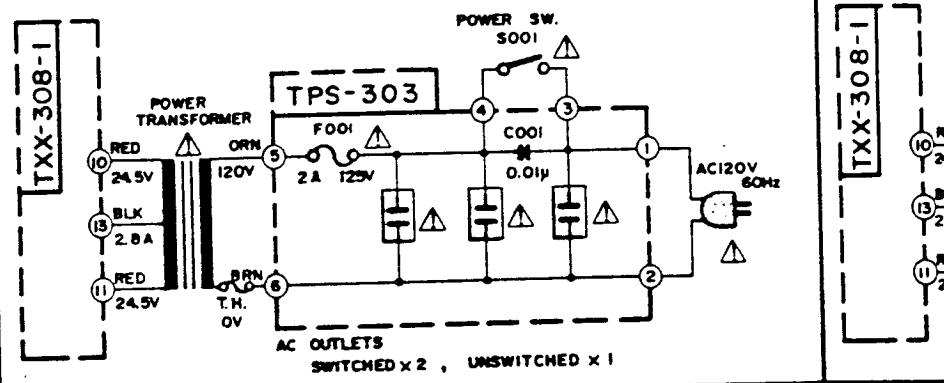
B

C

D

E

(J) FOR U.S.A. (C) FOR CANADA AC 120V 60Hz (E) FOR



RTV servis Horvat

Tel: ++385-31-856-637

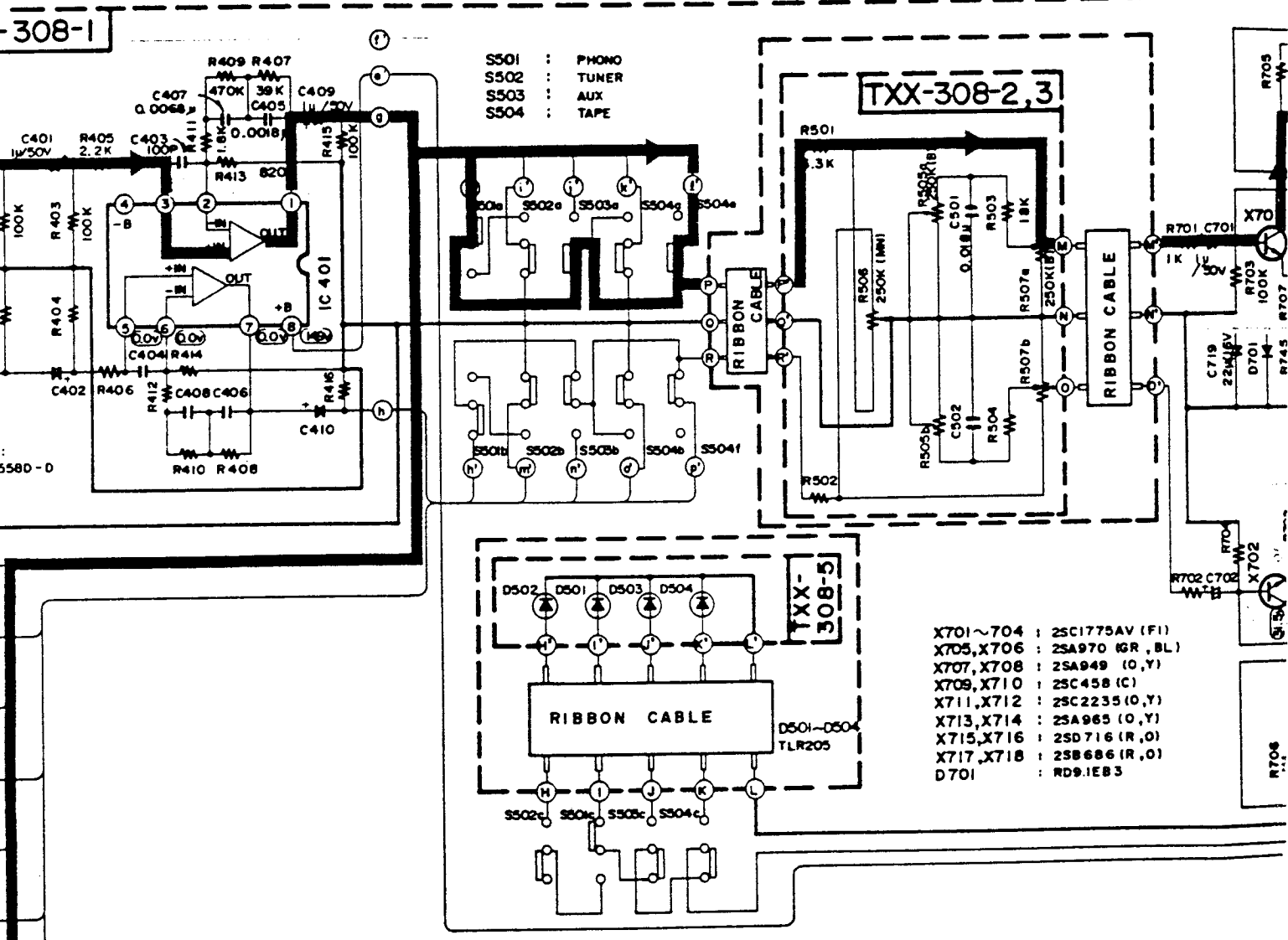
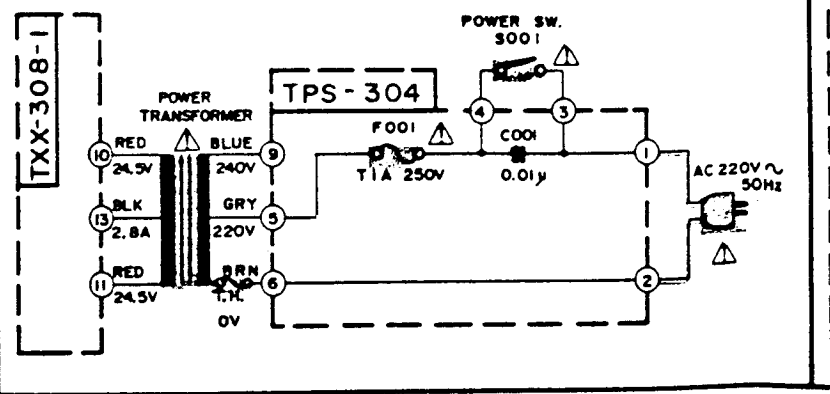
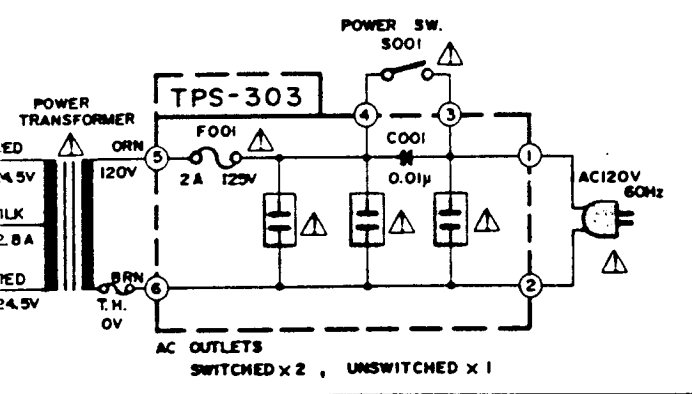
Tel/fax: ++385-31-856-139

Mob: 098-788-319

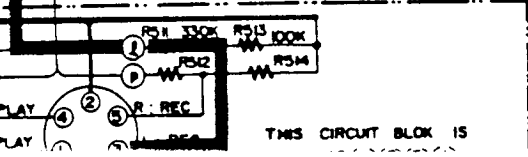
www.rtv-horvat-dj.hr

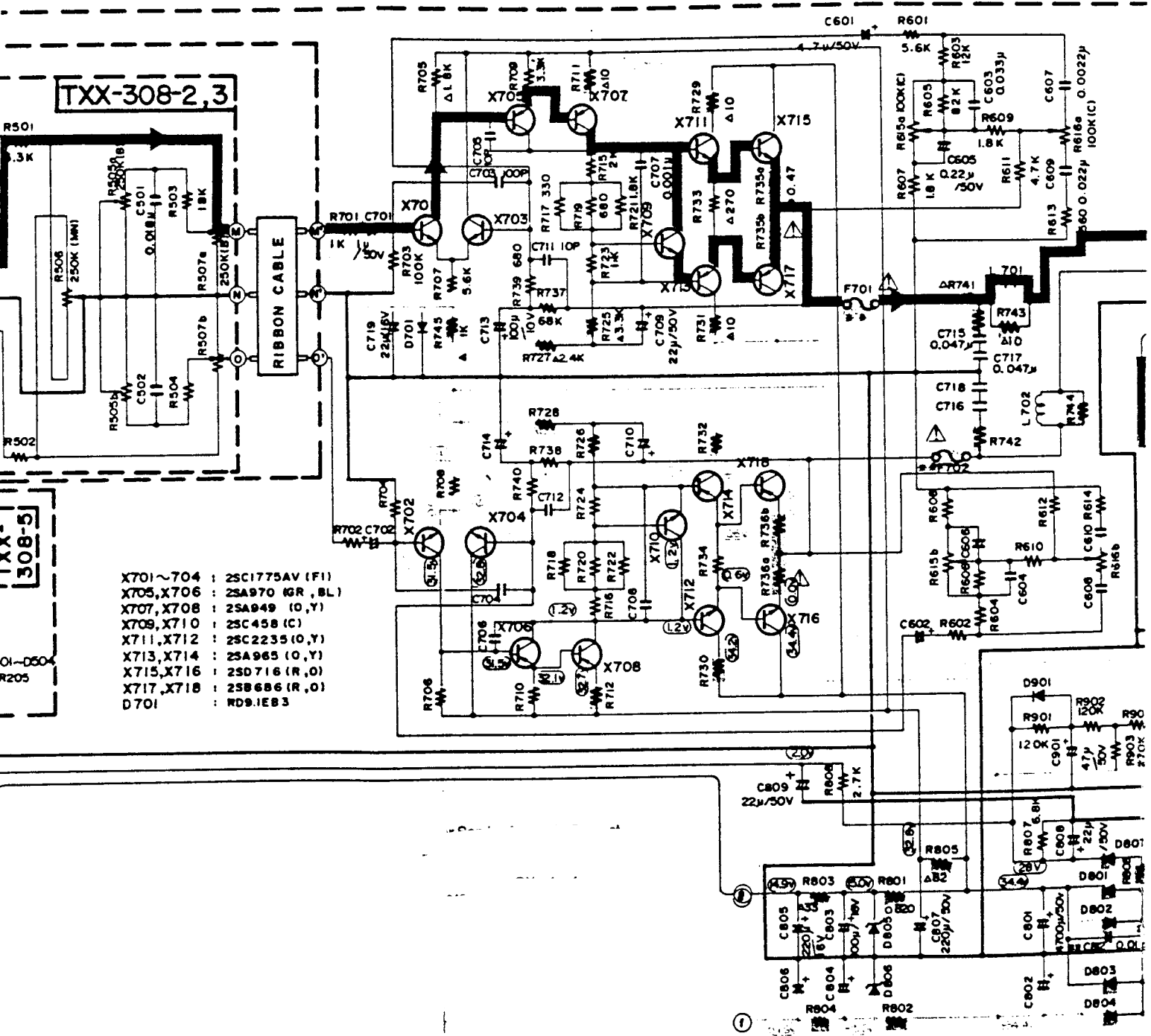
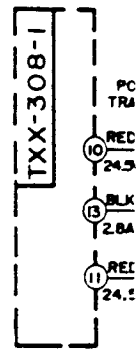
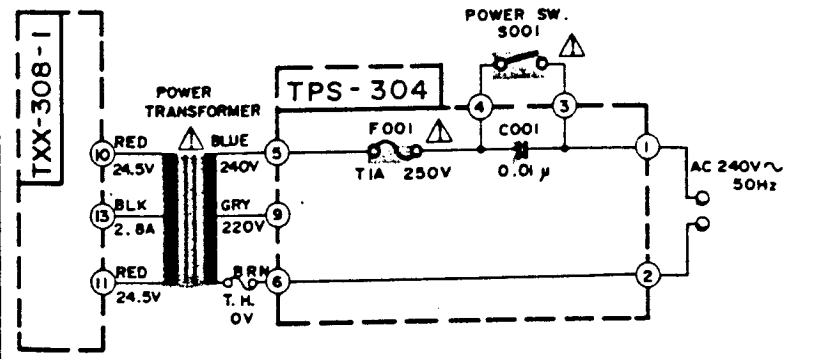
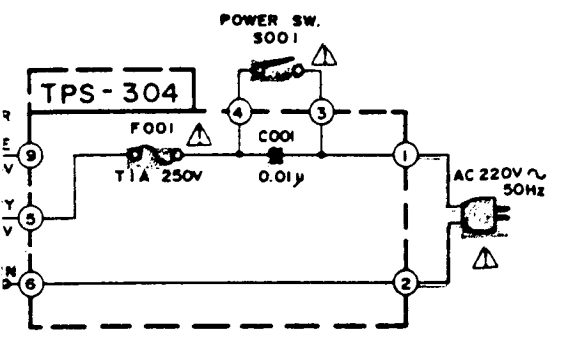
THIS CIRCUIT BLOCK IS

B C D E F G
 U.S.A. (C) FOR CANADA AC120V 60Hz (E) FOR CONTINENTAL EUROPE AC220V ~ 50Hz

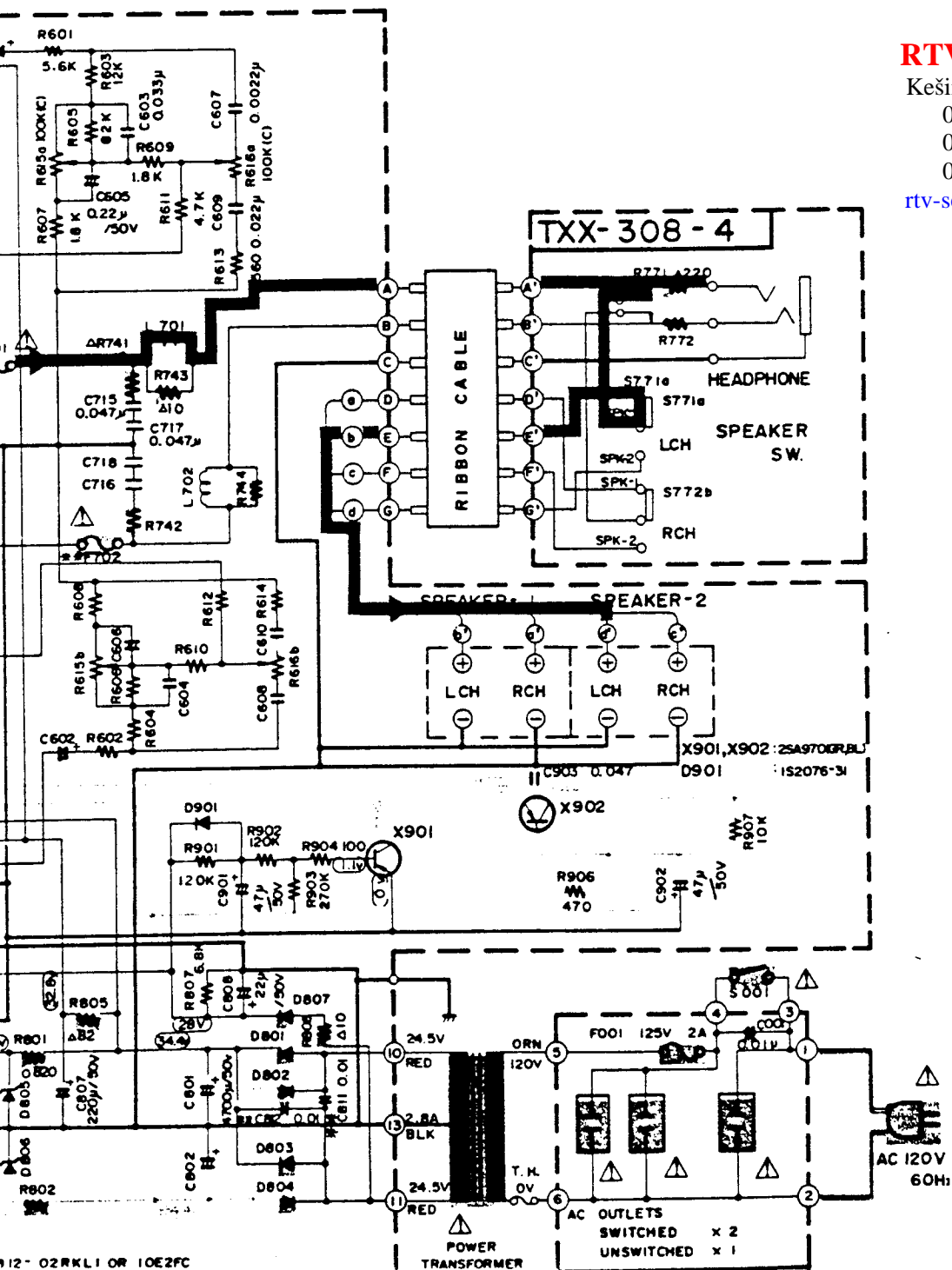
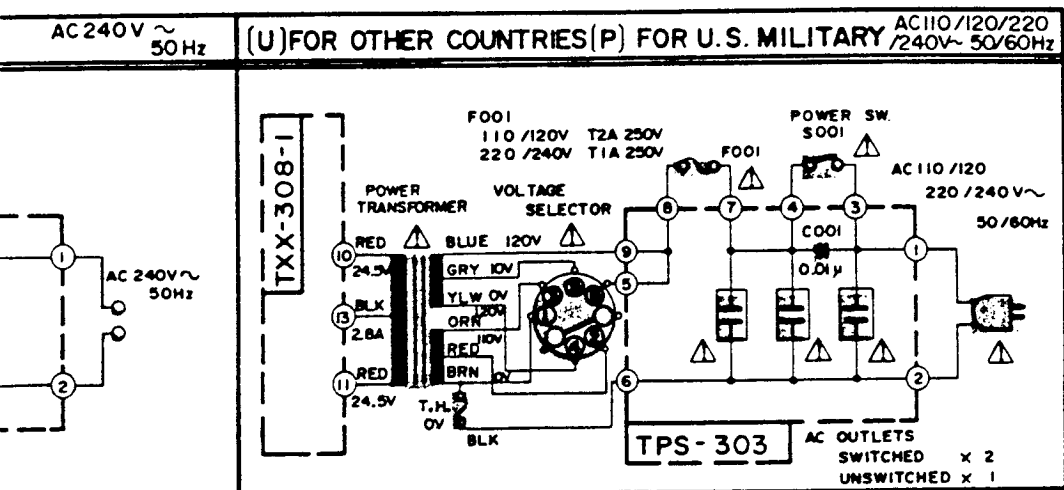


- X701~704 : 25C1775AV (F1)
- X705, X706 : 25A970 (GR, BL)
- X707, X708 : 25A949 (O, Y)
- X709, X710 : 25C458 (C)
- X711, X712 : 25C2235 (O, Y)
- X713, X714 : 25A965 (O, Y)
- X715, X716 : 25D716 (R, O)
- X717, X718 : 25B686 (R, O)
- D701 : RD9.1EB3





K L M N



RTV servis Horvat

Kešinci, 31402 Semeljci

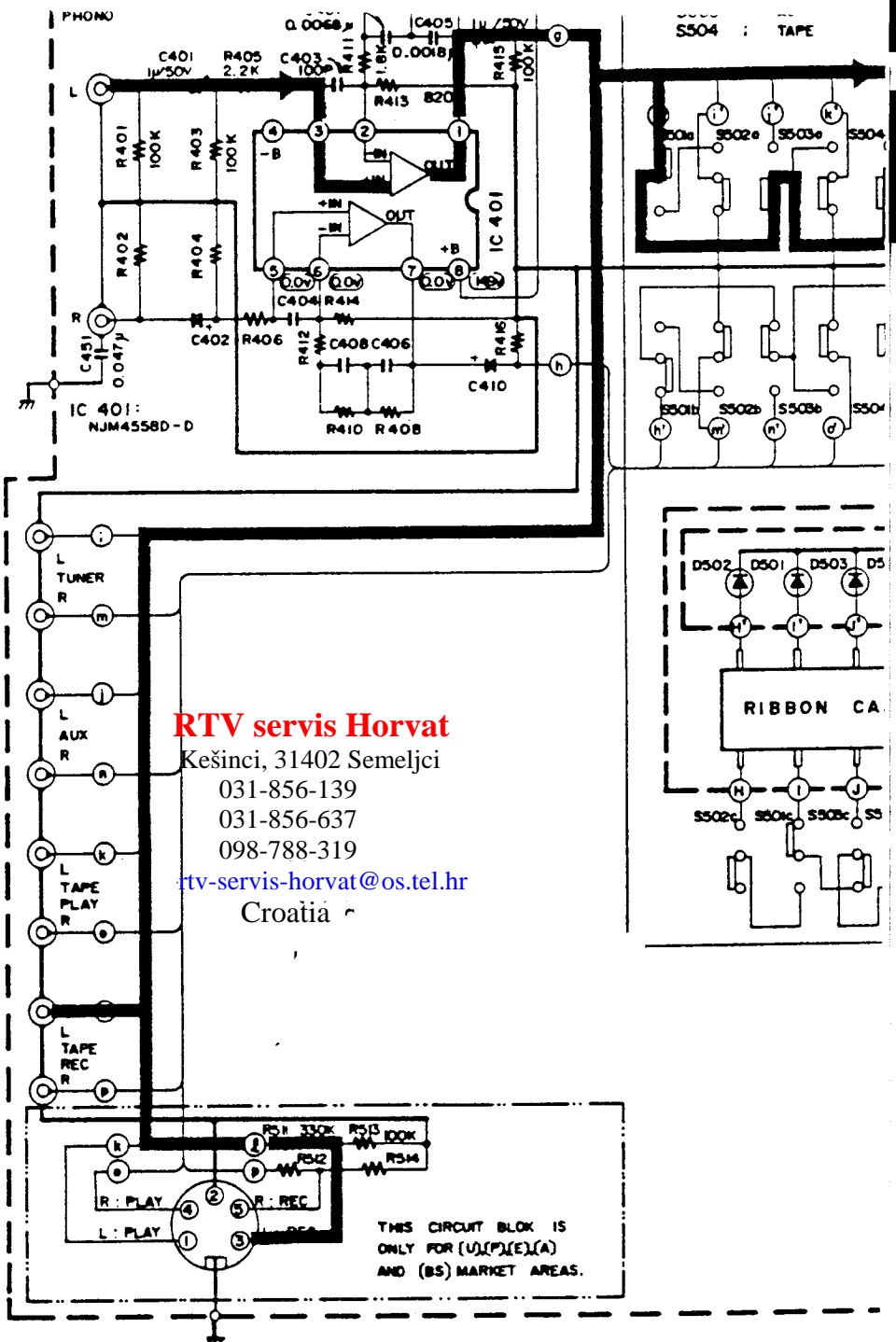
031-856-139

031-856-637

098-788-319

rtv-servis-horvat@os.tel.hr

Croatia



RTV servis Horvat

Kešinci, 31402 Semeljci

031-856-139

031-856-637

098-788-319

rtv-servis-horvat@os.tel.hr

Croatia

* * : RATING IS DIFFERENCE IN EACH MARKET AREA REFER TO THE FOLLOWING TABLES

	J.C	U.P	F.A,BS	J.C	U
F701, F702	3.3A-125V	T3.15A-250V	T3.15A-250V	C811, C812	0.01μ 0.

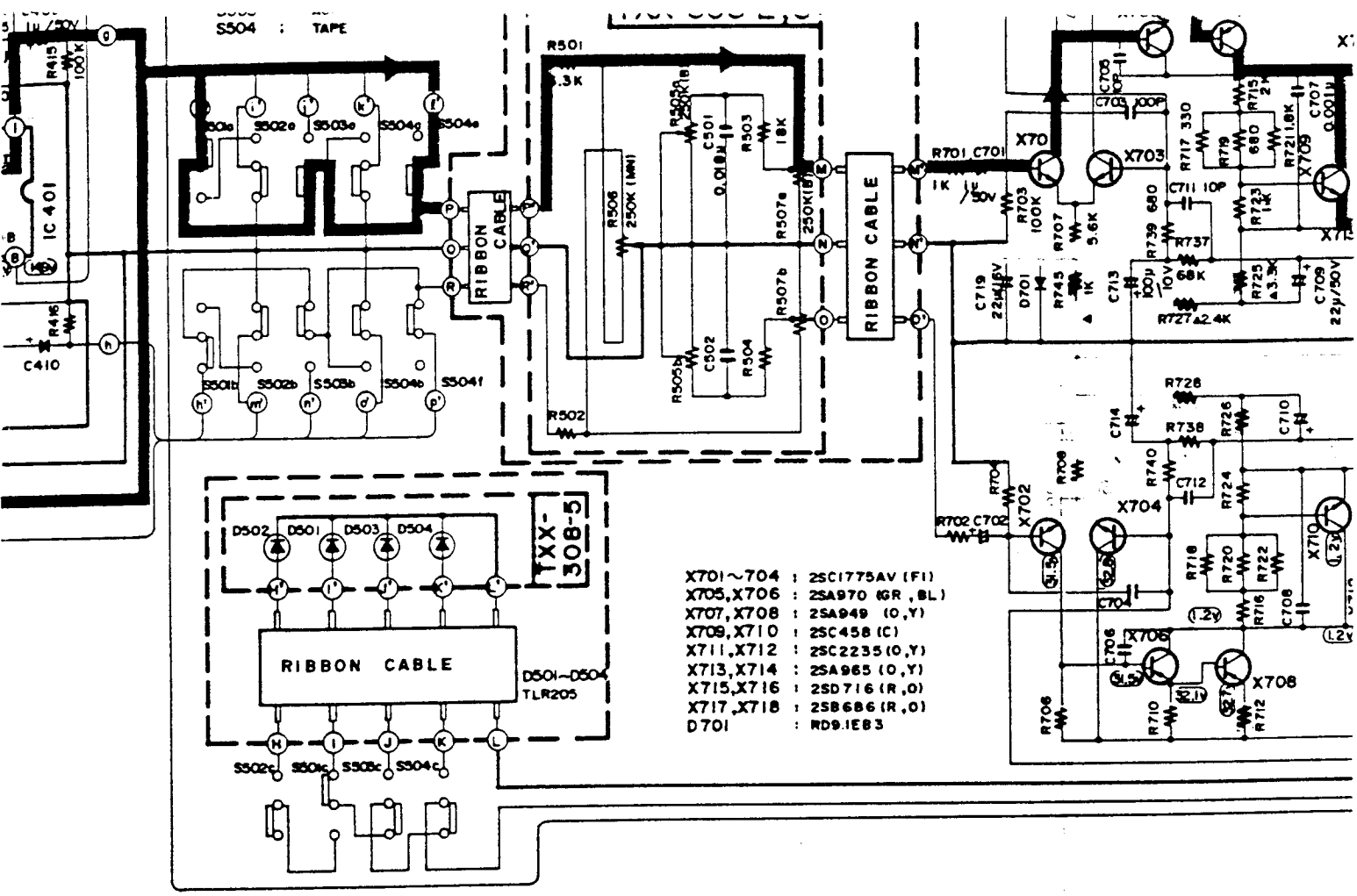
- △ : UNINFLAMMABLE CARBON RESISTOR (1/4 w)
- ▲ : UNINFLAMMABLE CARBON RESISTOR (1/2 w)
- : OXIDE METAL RESISTOR (1 w)
- : METAL PLATE RESISTOR (TWIN TYPE) (3 w)
- N.P. : NONPOLARIZED ELECTROLYTIC CAPACITOR

Notes:

1. Voltage values in ○ are positive.
2. Voltage values in ⊖ are negative.
3. — indicates positive B power supply.
4. — indicates negative B power supply.
5. ■ indicates signal path.
6. When replacing the parts in the darkened area (■) and those marked with △, be sure to use the designated parts to ensure safety.

7. Parts in red indicate tra
8. This is the standard circ
The design and conte
notice.

10



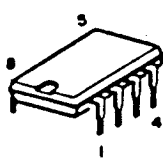
- X701~704 : 2SC1775AV (F1)
- X705,X706 : 2SA970 (GR, BL)
- X707,X708 : 2SA949 (O, Y)
- X709,X710 : 2SC458 (C)
- X711,X712 : 2SC2235 (O, Y)
- X713,X714 : 2SA965 (O, Y)
- X715,X716 : 2SD716 (R, O)
- X717,X718 : 2SB686 (R, O)
- D701 : RD9.1E83

CIRCUIT BLOCK IS
 (U)(P)(E)(A)
 MARKET AREAS.

MARKET AREA TABLES

E.A. BS	J.C	U.P	E.A. BS
V T3.15A-250V	CB11, CB12	0.01μ	0.1μ

- RESISTOR (1/4 w)
- RESISTOR (1/2 w)
- (1 w)
- (IN TYPE) (3 w)
- IC CAPACITOR



IC 401
 NJM45580-D



X701~704
 2SC1775AV (F1)
 X709,X710
 2SC458 (C)
 X701,X702
 2SA970(R, BL)



X707,X708
 2SA949 (O, Y)
 X711,X712
 2SC2235(O, Y)
 X713,X714
 2SA965 (O, Y)

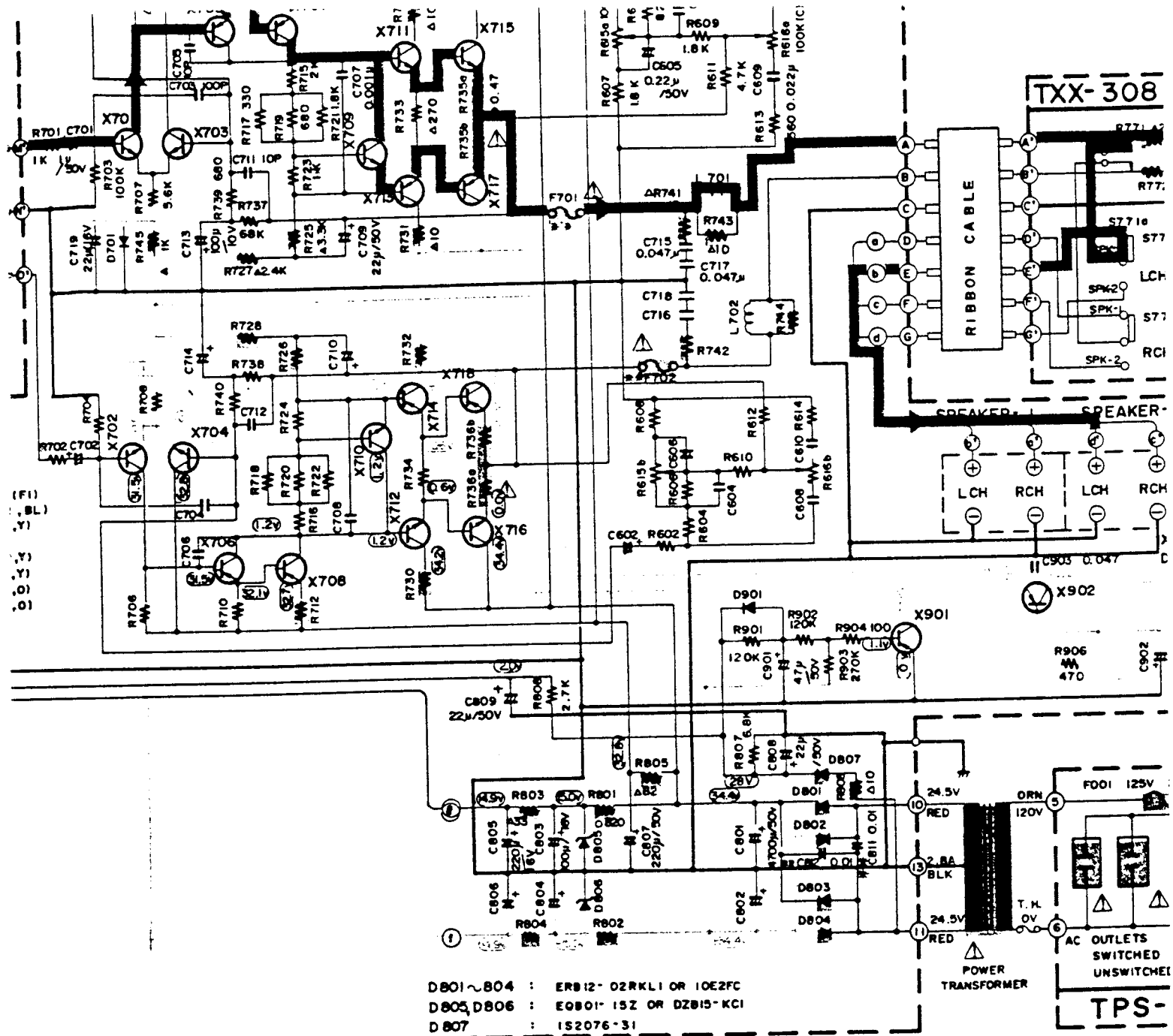


X715,X716
 2SD716 (R, O)
 X717,X718
 2SB686 (R, O)

7. Parts in red indicate transistors or ICs.
8. This is the standard circuit diagram.
 The design and contents are subject to change without notice.

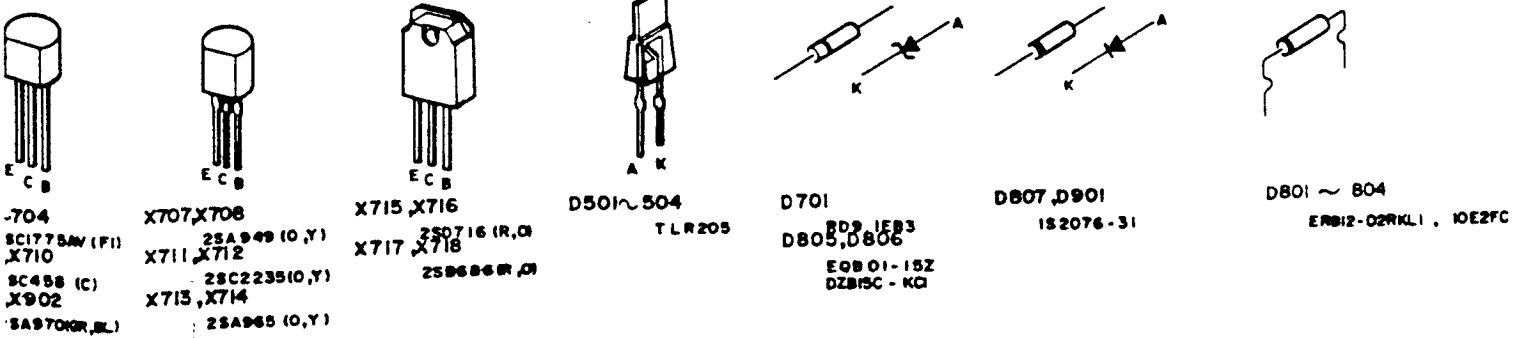
and parts

TXX-308

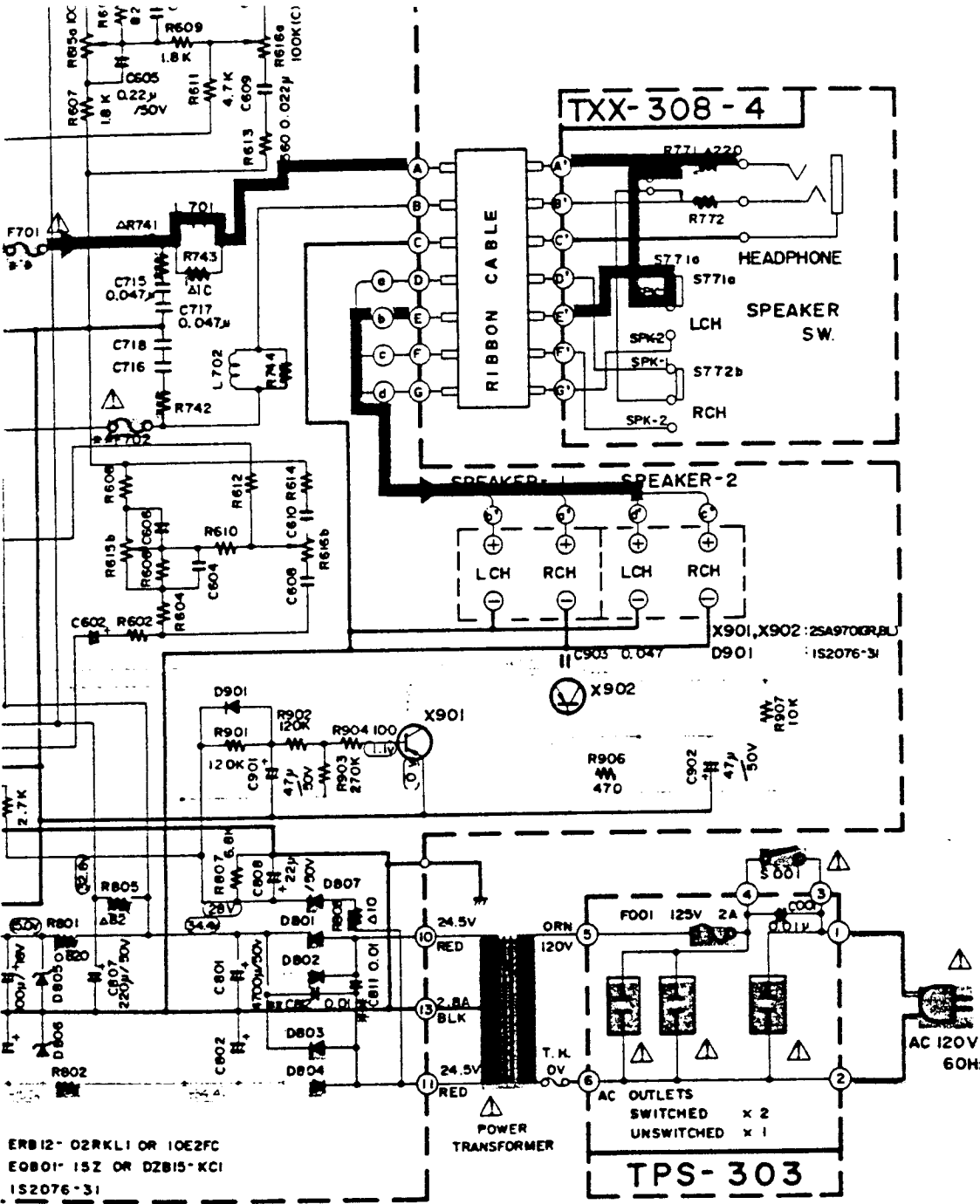


D801~804 : ERB12-02RKL1 OR 10E2FC
 D805,D806 : E0801-15Z OR D2B15-KC1
 D807 : 1S2076-31

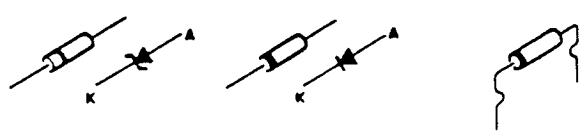
*POWER SUPPLY BLK IN EACH MARKET



- 704 SC1775AW (F1)
- X710 25A949 (O,Y)
- SC458 (C) 25C223510,Y
- X902 25A965 (O,Y)
- SA870GR, (L)
- X707,X708 25A949 (O,Y)
- X711,X712 25C223510,Y
- X713,X714 25A965 (O,Y)
- X715,X716 250716 (R,O)
- X717,X718 259686 (R,O)
- D501~504 TLR205
- D701 8D91E83
- D805,D806 E0801-15Z
- D2B15C-KC1
- D807,D901 1S2076-31
- D801~804 ERB12-02RKL1, 10E2FC



*POWER SUPPLY BLOCK IS DIFFERENCE IN EACH MARKET AREA.



- D701: RD9 IE93, EQB01-15Z, DZBISC - KC
- D807, D901: IS2076-31
- DBO1 ~ B04: ERB12-02RKL1, IOE2FC

RTV servis Horvat

Kešinci, 31402 Semeljci
 031-856-139
 031-856-637
 098-788-319

rtv-servis-horvat@os.tel.hr
 Croatia