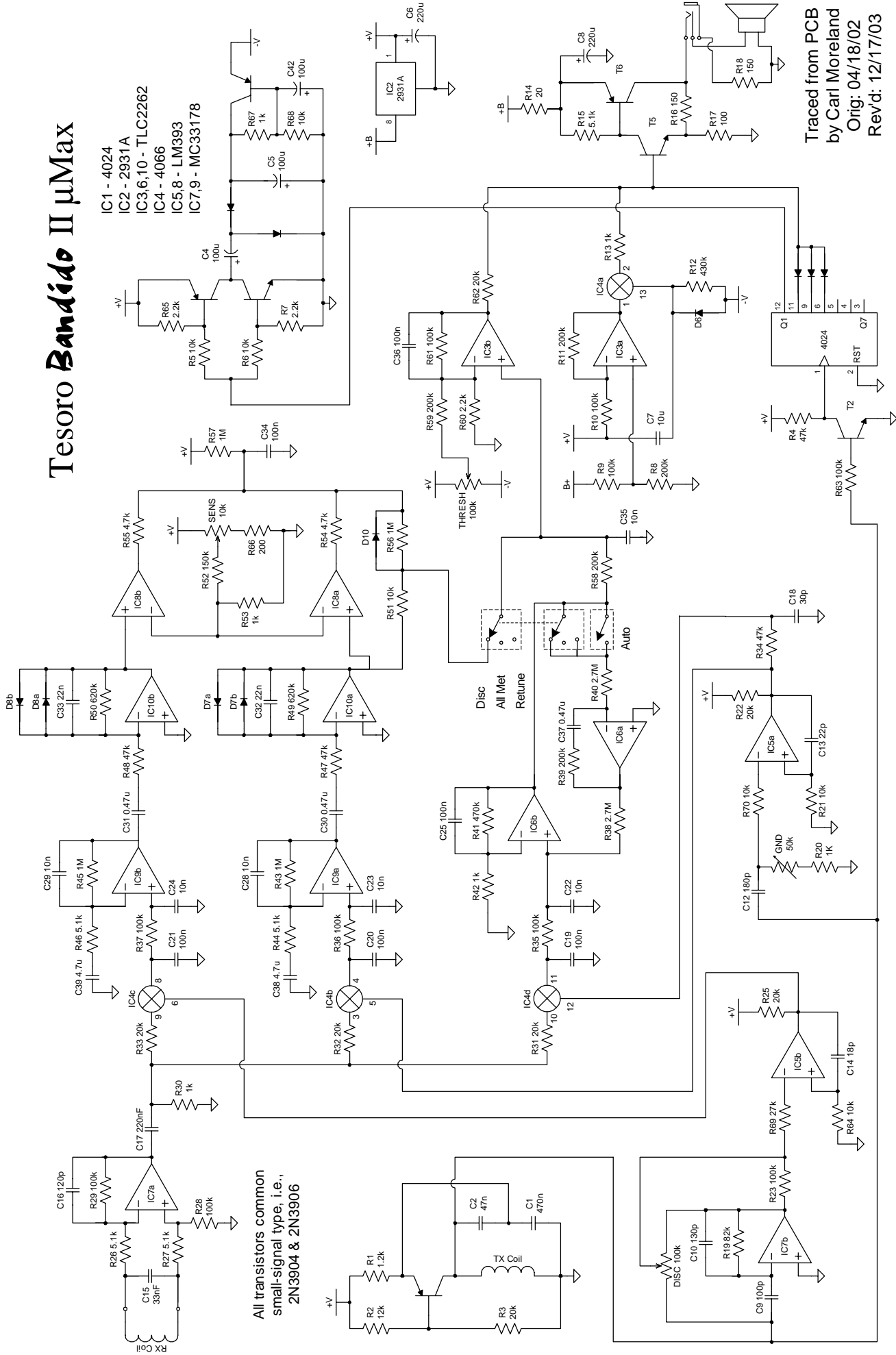


Tesoro Bandido II μ Max

- IC1 - 4024
- IC2 - 2931A
- IC3,6,10 - TLC2262
- IC4 - 4066
- IC5,8 - LM393
- IC7,9 - MC33178



All transistors common
small-signal type, i.e.,
2N3904 & 2N3906

Traced from PCB
by Carl Moreland
Orig: 04/18/02
Rev'd: 12/17/03