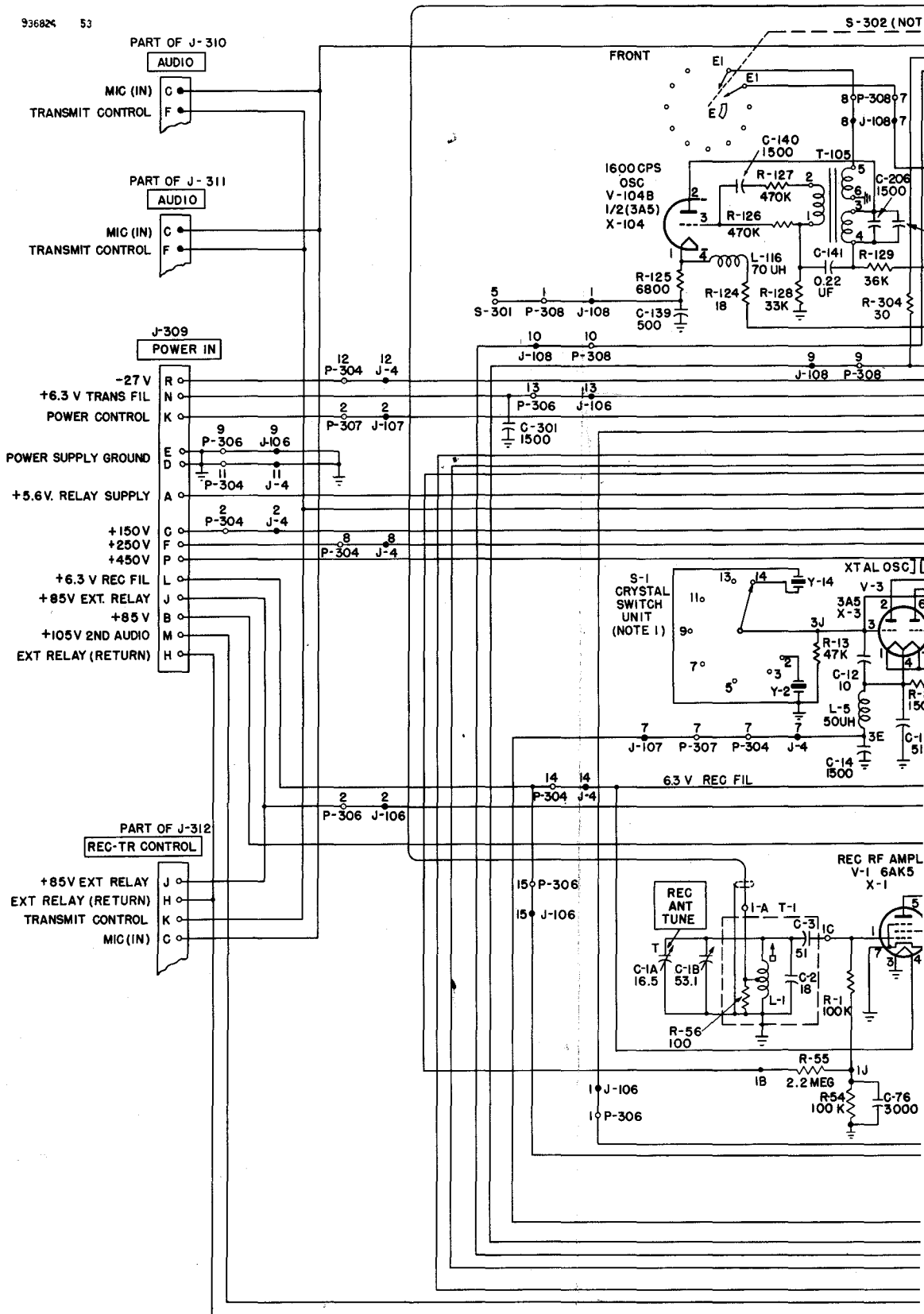
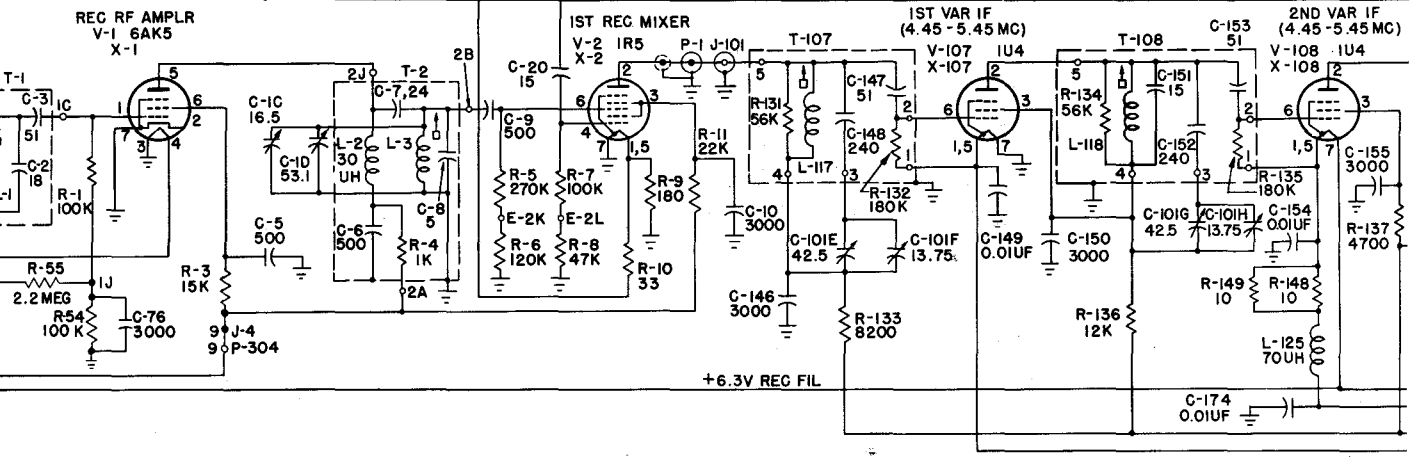
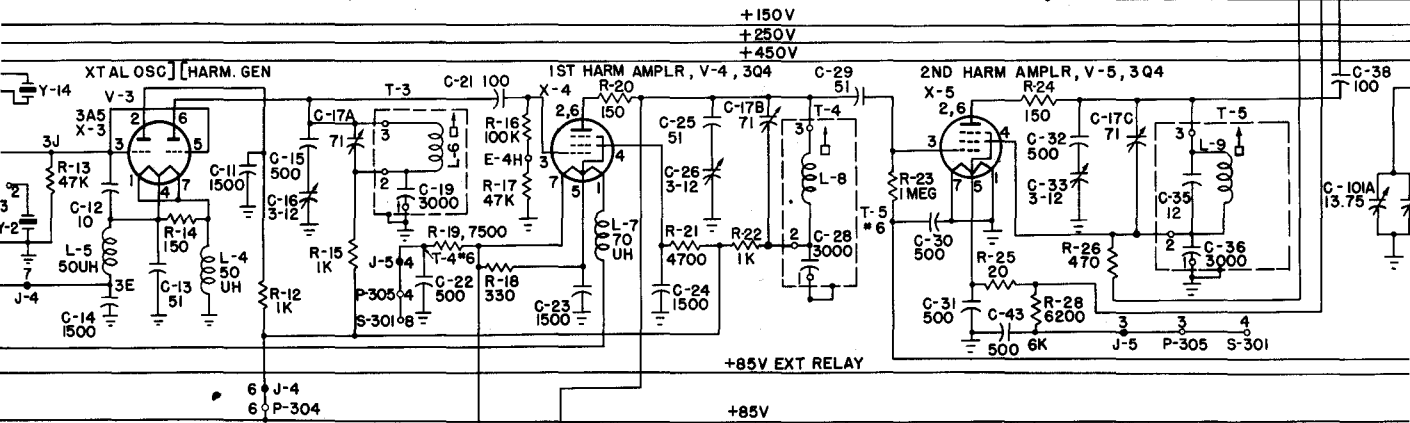
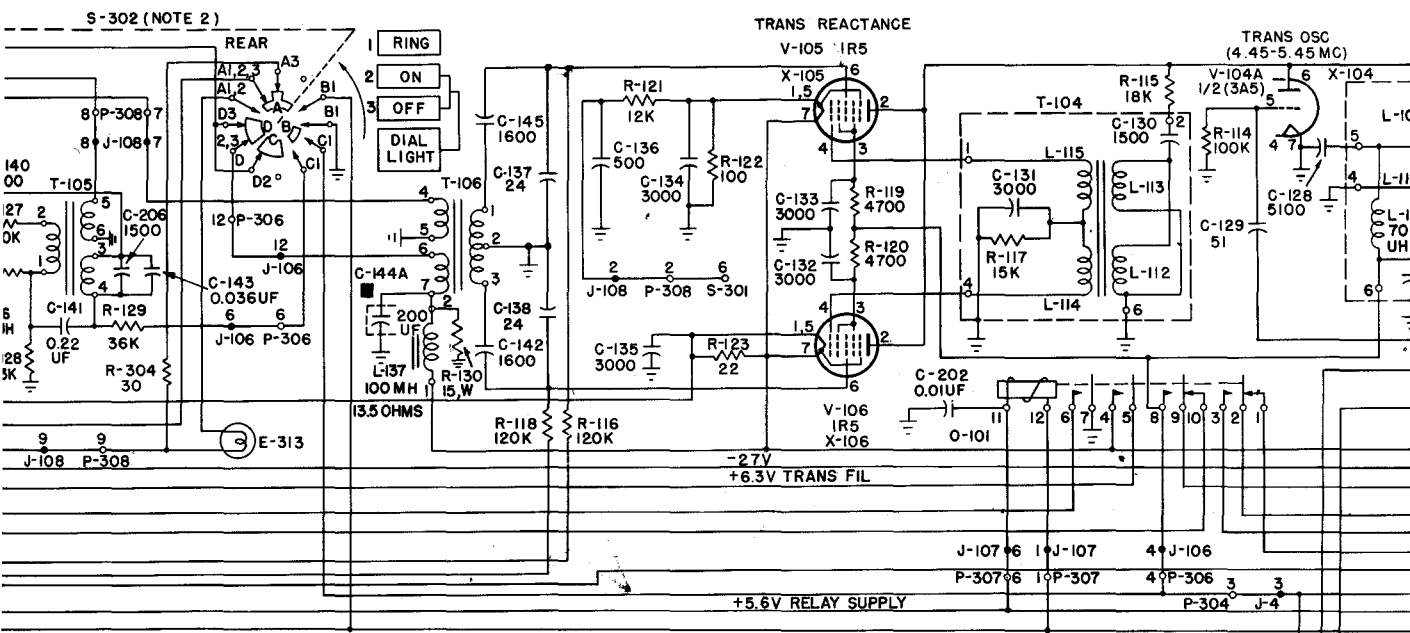


Figure 53





+105V 2ND AUDIO

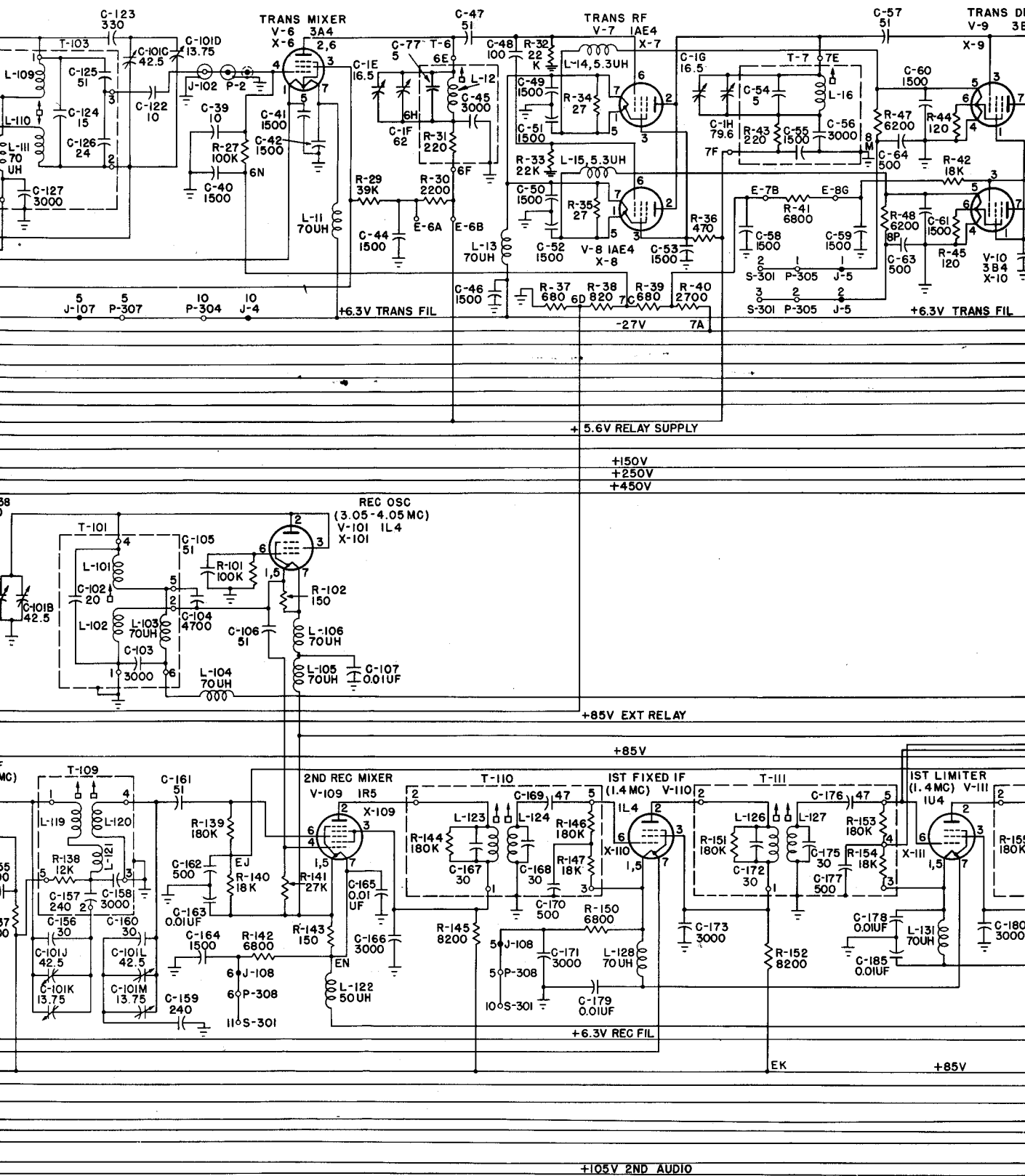
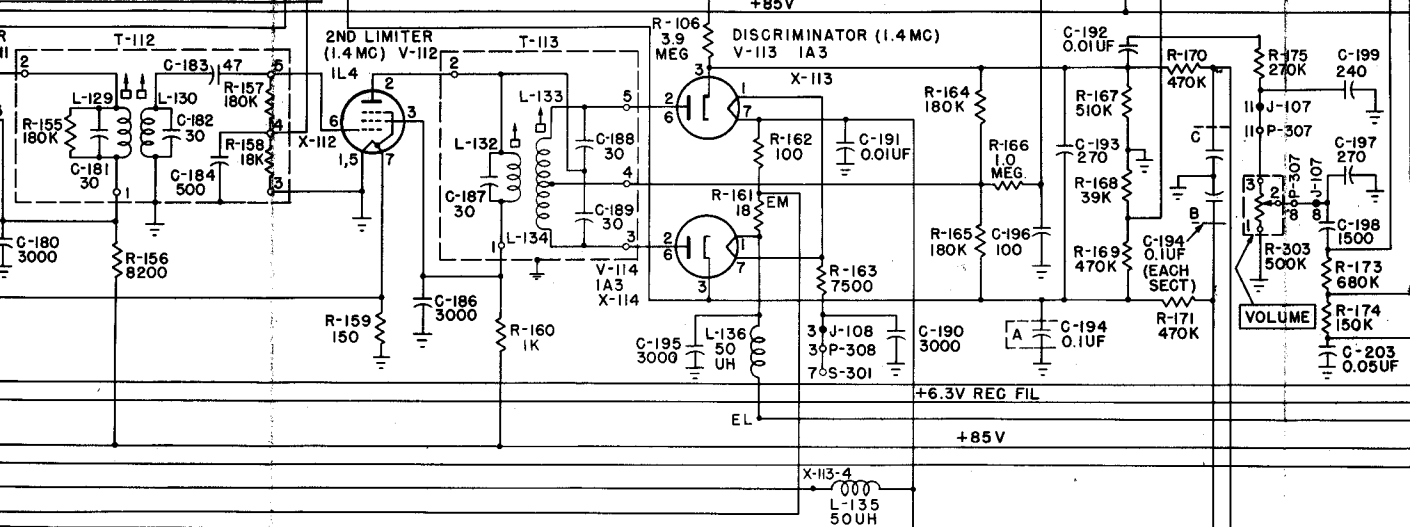
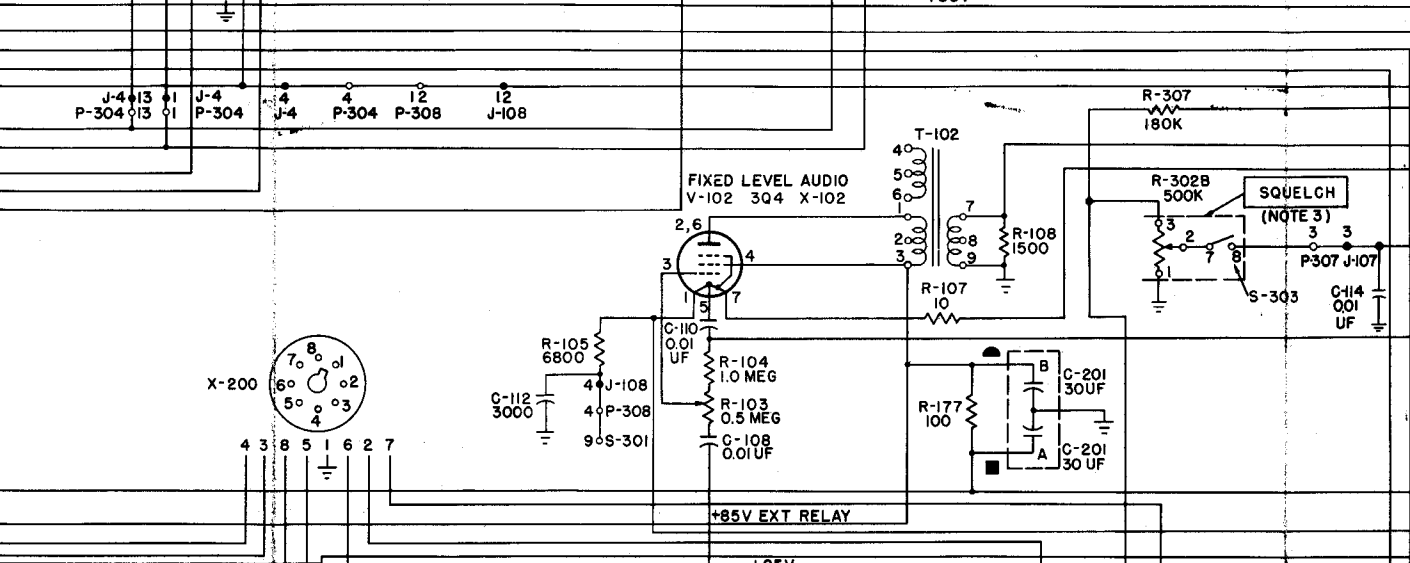
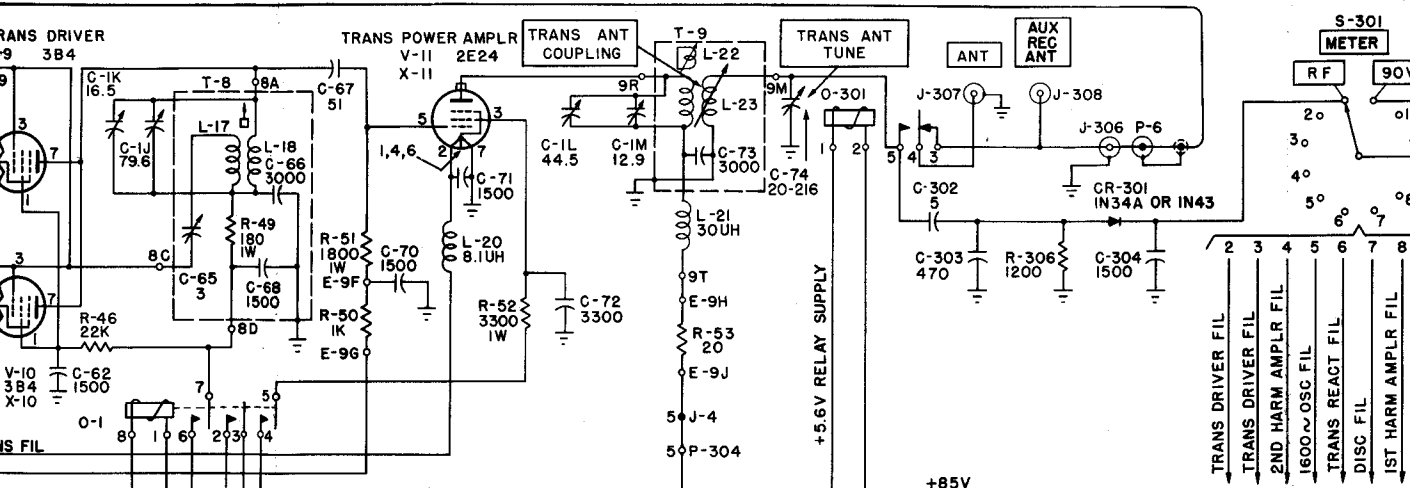
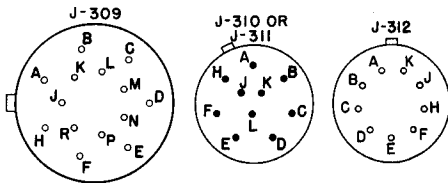
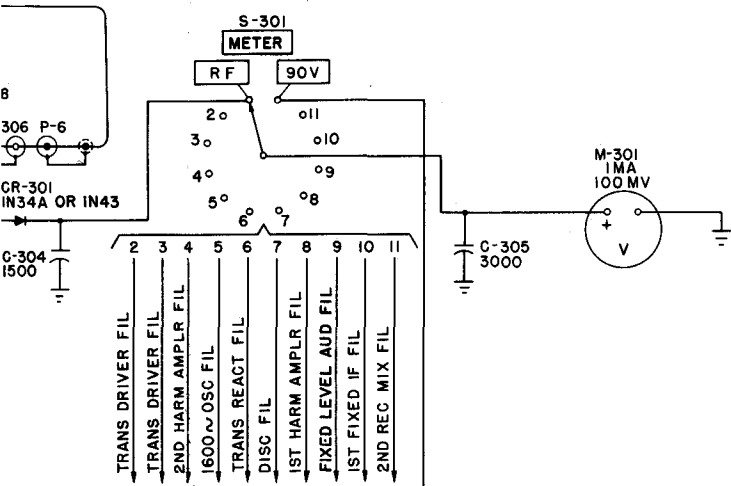
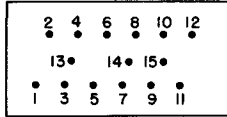


Figure 53. Receiver-Transmitter RT-66/GRC, schematic diagram.

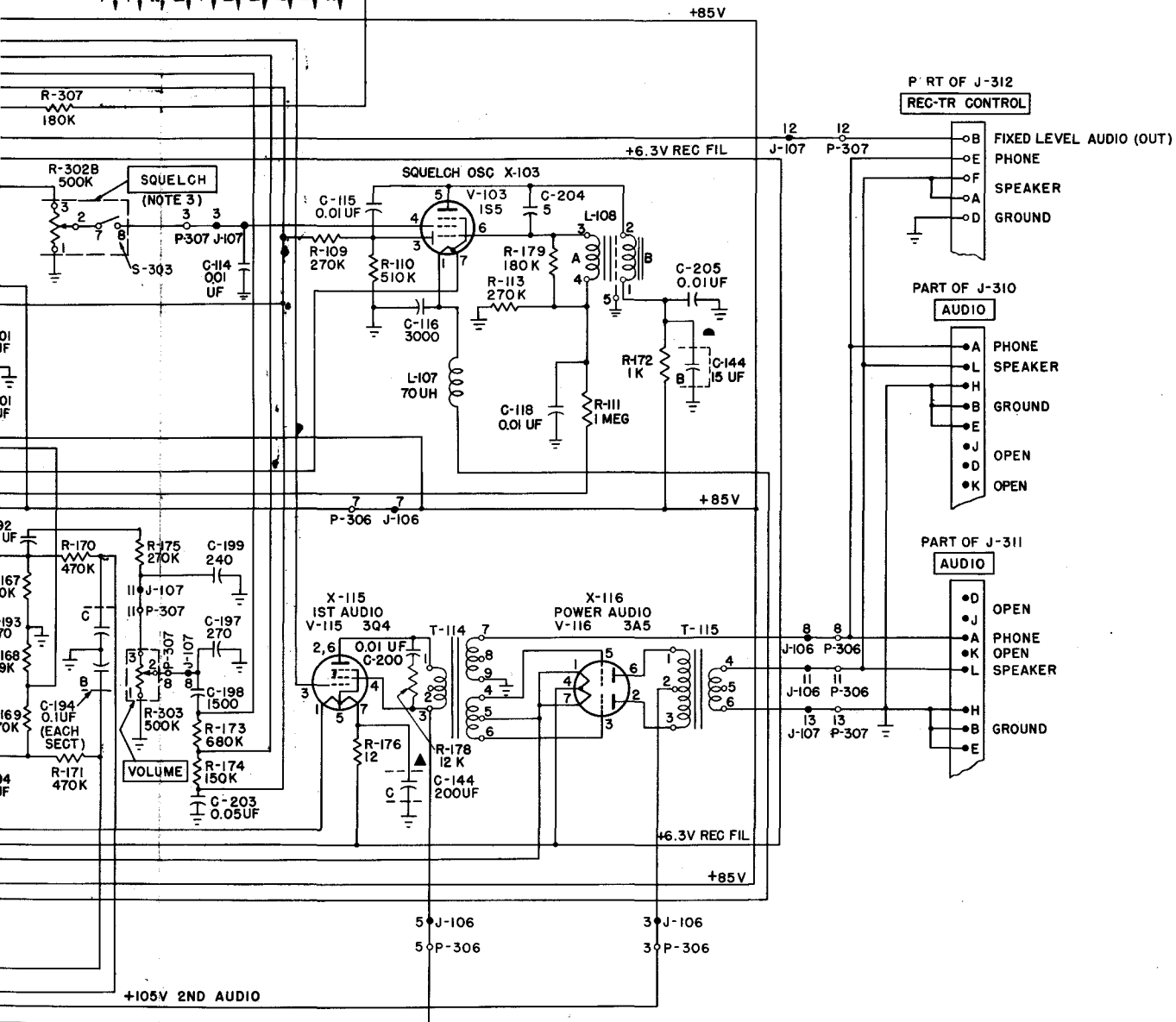
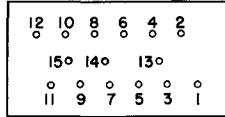




J-106, J-107, J-108, J-4, & J-5



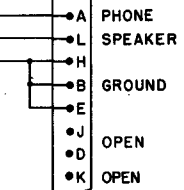
P-304 TO P-308



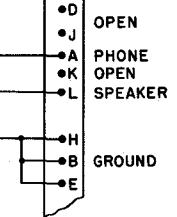
P RT OF J-312  
REC-TR CONTROL



PART OF J-310  
AUDIO



PART OF J-311  
AUDIO



5 J-106  
5 P-306  
3 J-106  
3 P-306