

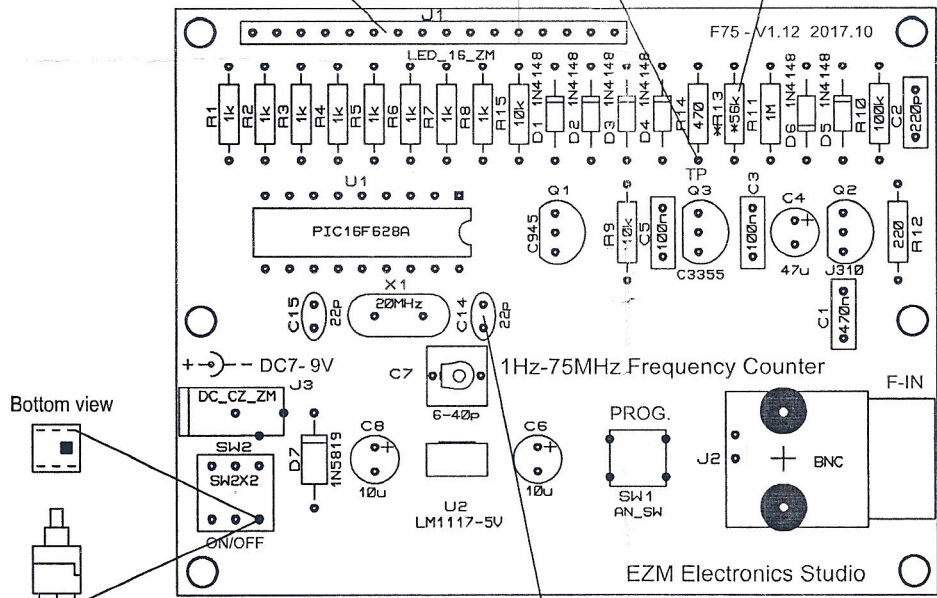
50(75)MHz Frequency Counter

Bill Of Materials

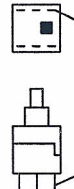
QTY	PART-REFS	VALUE	NOTE
-----	-----	-----	-----
Resistors (0.25W,1%)			
8	R1-R8	1k	
2	R9,R15	10k	
1	R10	100k	
1	R11	1M	
1	R12	220	
1	R13	56k	* According to the different batches of C3355, the resistance may change
1	R14	470	
Capacitors			
1	C1	470n	Ceramic
1	C2	100p	Ceramic
2	C3,C5	100n	Ceramic
1	C4	47u	Electrolytic
2	C6,C8	10u	Electrolytic
1	C7	6-40p	Variable
2	C14,C15	22p	Ceramic
Integrated Circuits			
1	U1	PIC16F628A (Programmed) + 18pin IC socket	
1	U2	LM1117-5V SMD	
Transistors			
1	Q1	C945	
1	Q2	J310	
1	Q3	C3355	
Diodes			
6	D1-D6	1N4148	
1	D7	1N5819	
Miscellaneous			
1	J1	16Pin SIL Socket & header	
1	J2	BNC Socket	
1	J3	DC_CZ_ZM DC adapter socket	
1	SW1	AN_SW Push button switch	
1	SW2	SW2X2 Push button switch	
1	X1	Crystal 20MHz	
2	SG1-SG2	Red 2digit common cathode 7-segment display	
1	SG3	Red 1digit common cathode 7-segment display	
1	Main PCB		
1	Display PCB		
2	Copper Pillar +Screw +Spring Washer		

The DC voltage at the TP should almost equal 2.2v. if not, adjust * R13 resistor.

16-Pin SIL socket



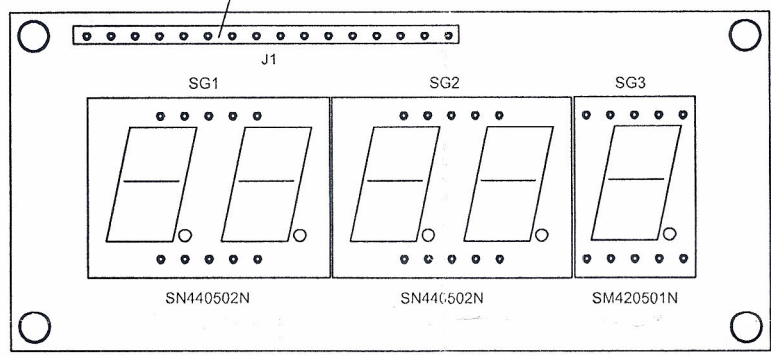
Bottom view



Pay attention to the direction of the switch

C14 do not weld.

16-Pin SIL header



Thanks to the original author

For more information, please visit the original author's web page

<http://www.qsl.net/dl4yhf/index.html>

<http://kc7zow.tripod.com/hamradio/id6.html>