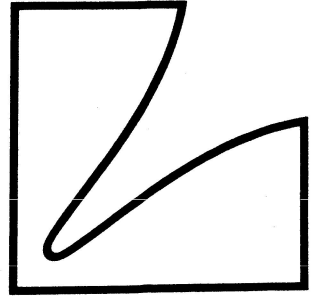
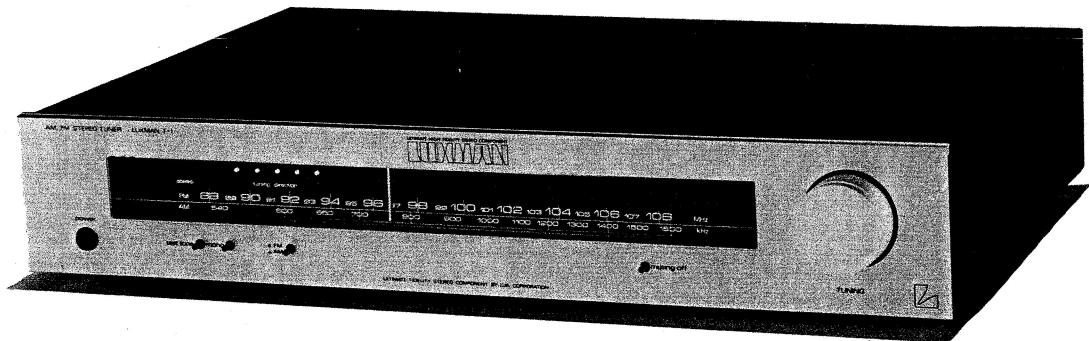


SERVICE MANUAL

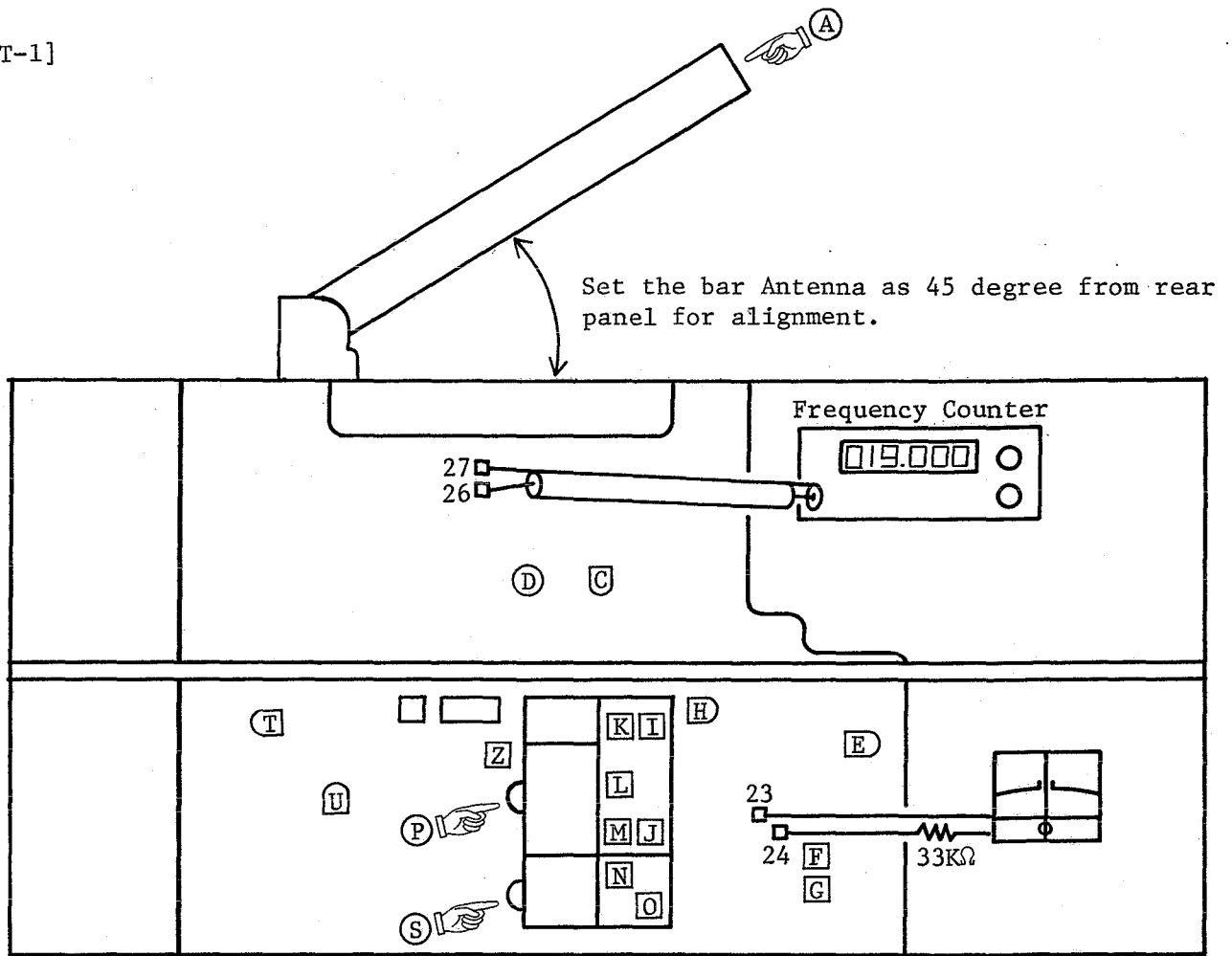


AM/FM
STEREO TUNER

T-1
(T-1L)

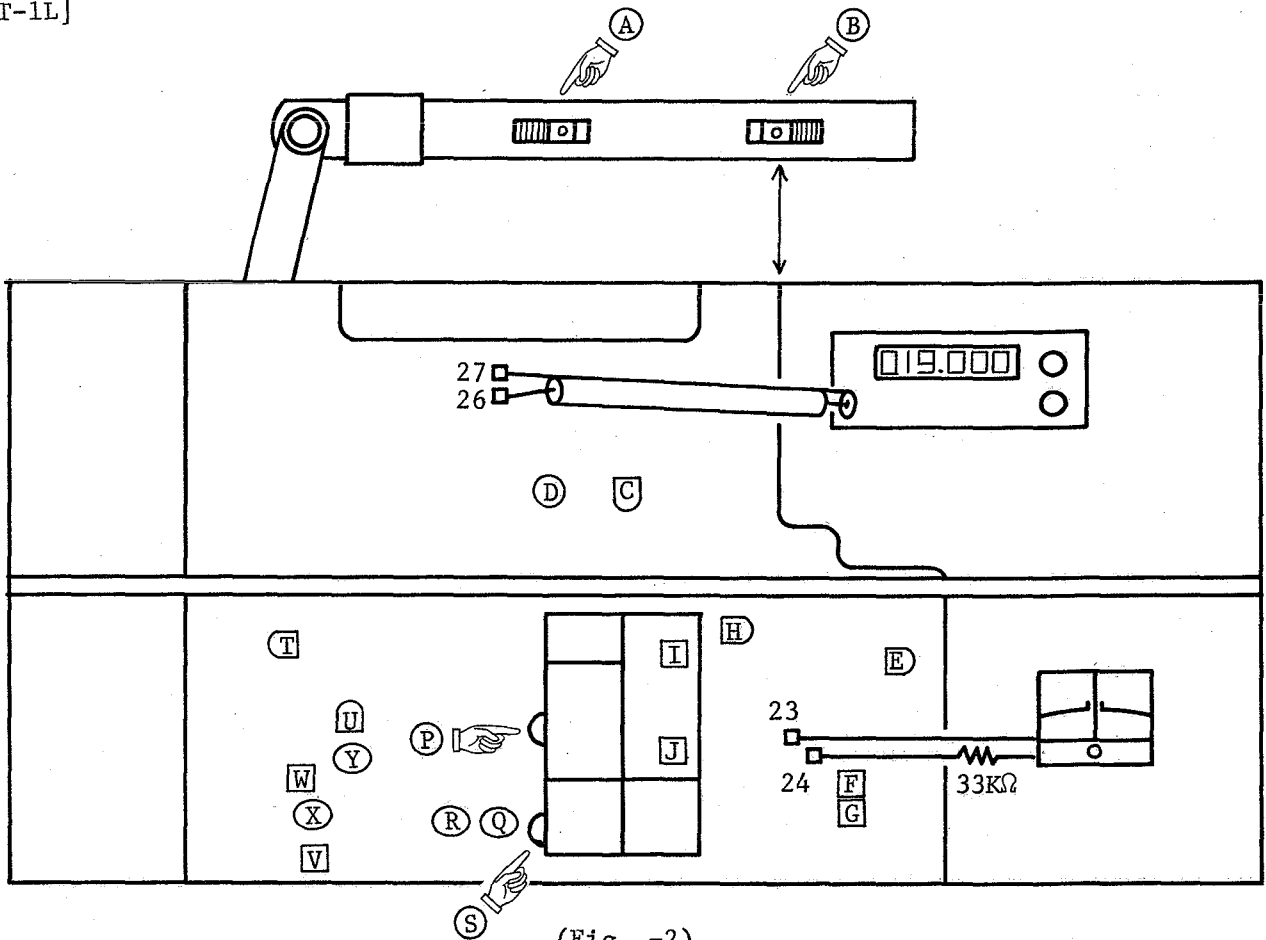


[T-1]



(Fig. - 1)

[T-1L]



(Fig. -2)

ALIGNMENT PROCEDURES

[Test Equipment Required]

- 1) Oscilloscope
- 2) AC Volt Meter
- 3) Distortion Analyzer
- 4) FM Signal Generator (hereinafter referred to as FMSG)
- 5) Multiplex Generator
- 6) AM Signal Generator (hereinafter referred to as AMSG)
- 7) Frequency Counter
- 8) Galvanometer (-100uA, hereinafter referred to as GM)

[Connection Method of Test Equipment]

Oscilloscope	
AC Volt Meter	----- Connect to output terminal.
Distortion Analyzer	
FMSG	----- Connect to antenna terminal through matching network.
AMSG	----- Connect to loop stick antenna.

[Setup of Tuner]

Power Switch	----- Pushed on Position
Test Tone Switch	----- Pushed back Position
Mono/Stereo Switch	----- Pushed back Position
AM/FM Switch	----- Pushed back Position
Muting Switch	----- Pushed on Position
Tuning Knob	----- Check endmost starting point and tune to 108MHz.
GM (+100uA)	----- Connect Resistor 33k ohms in series to Print Terminals "23" and "24" on PB1322.

FM SECTION

[FM Tracking Adjustment]

This adjustment is necessary only in case of frontend change as all units are perfectly aligned before delivery.

1) Setup of FMSG

FMSG	108MHz
Output Level	Minimum
Modulation	+75kHz

- 2) Tune receiving frequency to 108MHz and confirm nothing is received.
- 3) Adjust "F" (T101) to let pointer of GM indicate center.
- 4) Set output level of FM SG at 2uV and tune frequency to 108MHz.
- 5) Adjust "I" of frontend to let pointer of GM indicate center.
- 6) Adjust "P" and "S" to make noise minimum.
- 7) Set FMSG at 89MHz.
- 8) Set receiving frequency of this unit in the vicinity of 89MHz and tune to let pointer of GM indicate center on receiving signal of FMSG.
- 9) In this case confirm that pointer is within plus or minus 2 calibrations on dial scale of GM.
- 10) If pointer would indicate more than plus or minus 2 calibrations, move and

adjust coil "K" of frontend to let it indicate center.

11) Move and adjust coils "M" and "O" to make noise minimum.

12) Repeat steps 1 - 11 to obtain correct tuning on dial scale.

[Muting Threshold Level]

1) Setup of FMSG

Frequency	98MHz
Output Level	6uV

2) Adjust "H" (VR101) to let output power disappear at position of muting switch pushed.

[T.H. Distortion]

1) Setup of FMSG.

Frequency	98MHz
Output Level	1mV

2) Adjust "G" (T102) to make T.H.D. minimum.

[Test Tone Output Level]

1) Setup of FMSG

Frequency	98MHz
Output Level	1mV

2) Record tuner output level.

3) Push tone switch and adjust "T" (VR105) to make output level at -6dB.

[MPX]

1) Setup of FMSG

Frequency	98MHz
Output Level	1mV
Modulation	Audio: 65.5kHz (90%) Pilot: 7.5kHz (10%)

2) Make modulation of FMSG off.

Connect Frequency Counter to Pin "26" on PB1322 and "27" (GND) and adjust "D" (VR103) to make frequency 19kHz +0Hz to -10Hz.

3) Disconnect Frequency Counter.

4) Give rated modulation to FMSG.

5) Adjust "C" (VR104) to obtain the maximum balanced separation between right and left channels.

AM SECTION

[AM - MW]

1) Setup of AMSG

Frequency	1400kHz
Output Level	50 - 70dB
Modulation	30% at 400Hz

2) Setup of TUNER

AM Bar Antenna Take out at 45 degrees from Rear Panel
AM/FM Selector
 Switch Push

[AM - MW Tracking]

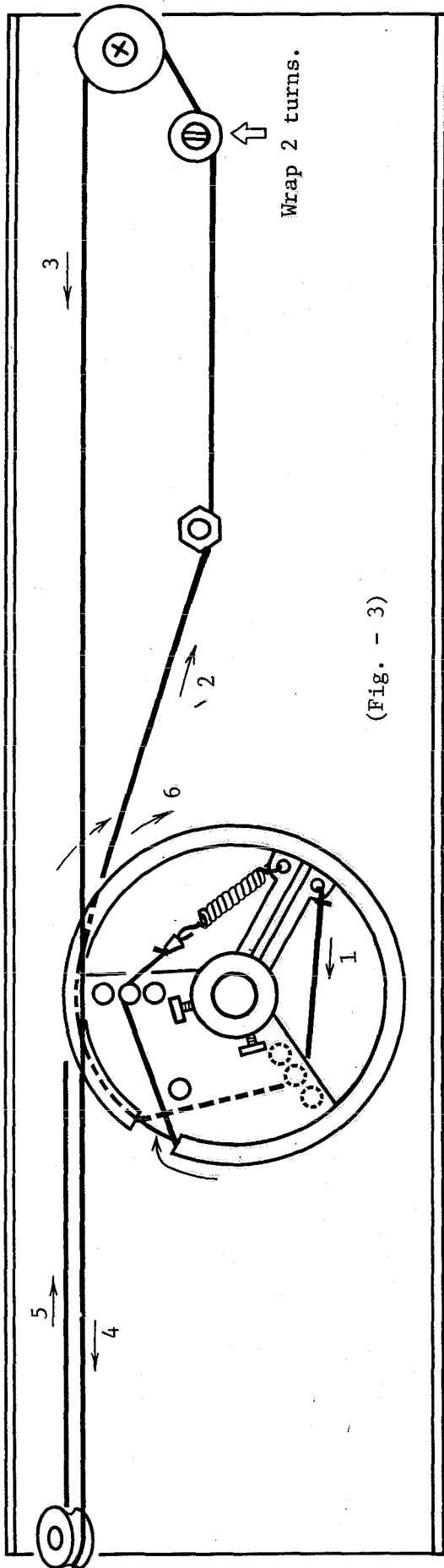
- 1) Set frequency on AMSG and receiving frequency on Tuner both at 1400kHz.
- 2) Adjust "L" and "Z" on Fig. 1 to make noise minimum when Tuner receives signal of SG.
- 3) Set frequency of AMSG at 600kHz.
- 4) Adjust "A" and "N" on Fig. 1 to make noise minimum when Tuner receives signal of SG.
- 5) Repeat above steps 1 - 4 to obtain correct tuning on dial scale.

[Signal Strength Indication Adjustment]

- 1) Set frequency on AMSG at 1,000kHz and output level at 80dB.
- 2) Adjust "U" (VR106) on Fig. 1 to make 5 pcs. of Signal Strength Indicator LED light.

[AM - LW Tracking Adjustment --- T-1L only]

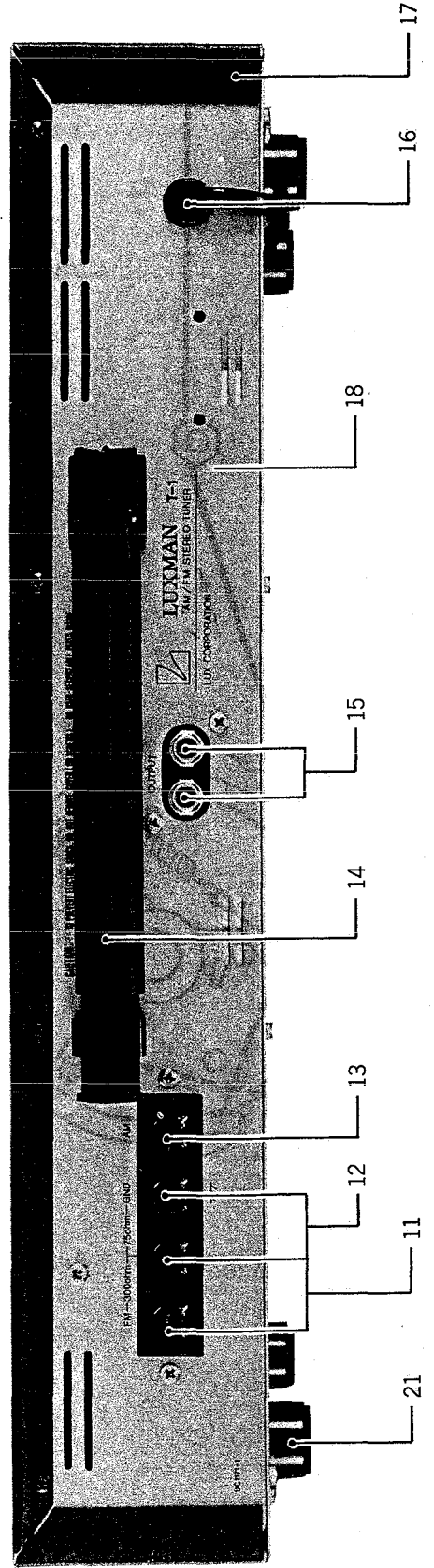
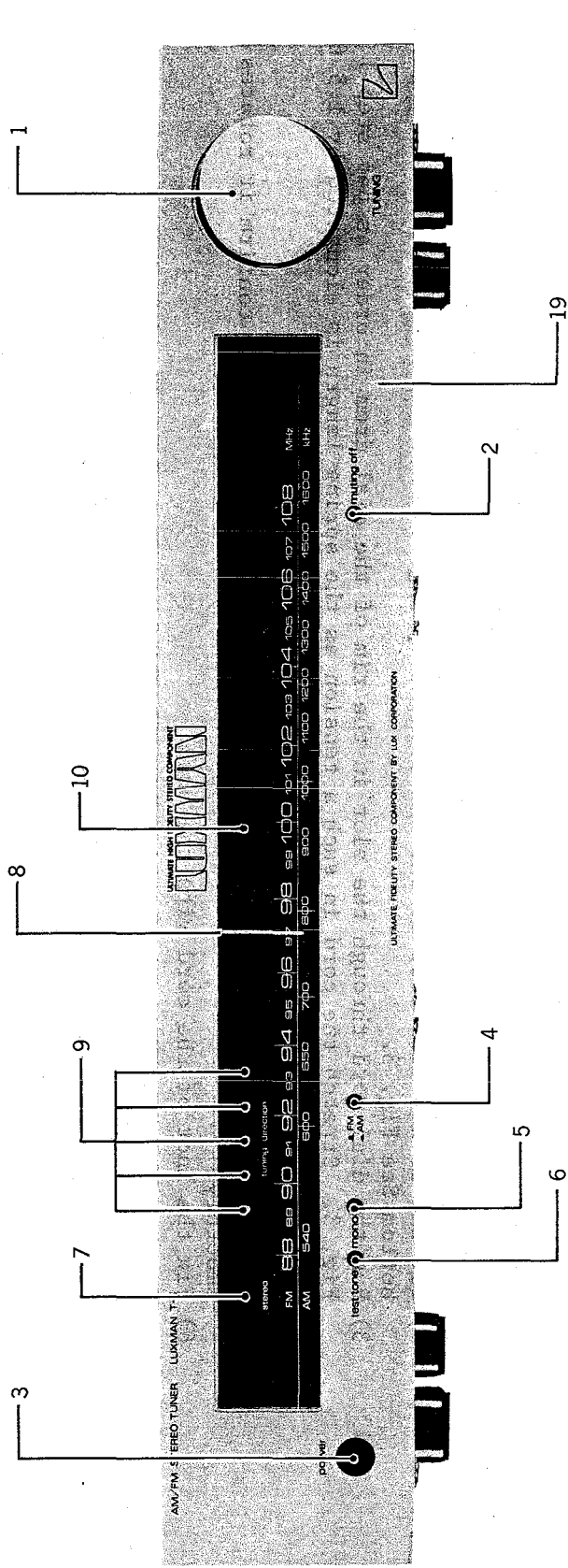
- 1) Set bar antenna of Tuner as per Fig. 2.
- 2) Set frequency of AMSG at 300kHz and modulation at 30%.
- 3) Set receiving frequency of Tuner at 300kHz.
- 4) Adjust "V" (TC503) and "Q" (TC501) to make noise minimum when Tuner receives signal of SG.
- 5) Set frequency of AMSG at 180kHz and receiving frequency of Tuner at 180kHz.
- 6) Adjust "B" and "W" (T501) to make noise minimum when Tuner receives signal of SG.
- 7) Repeat above steps 2 - 6 to obtain correct tuning on dial scale.
- 8) After adjustment, fix coil of bar antenna by adhesive, etc.



DIAL STRINGING PROCEDURES

- 1) Bring the variable capacitor into a state where the drum is turned to its maximum clockwise.
- 2) Tie end of new dial cord to one end of dial spring. Connect other end of dial spring of bottom See Fig. 3.
- 3) Run the dial cord through the slot in the rim of the dial drum in order as per step 1 - 8 in Fig. 3. Stretch the cord in such a tension as the spring length is elongated by 1.5 times that of the original state.
- 4) Crush eyelet and make knot. Then, cut cord leaving 5mm.
- 5) Turn the dial drum 2 or 3 times clockwise and counter-clockwise to confirm it rotates smoothly.
- 6) Fix the knot of the cord with the bond.

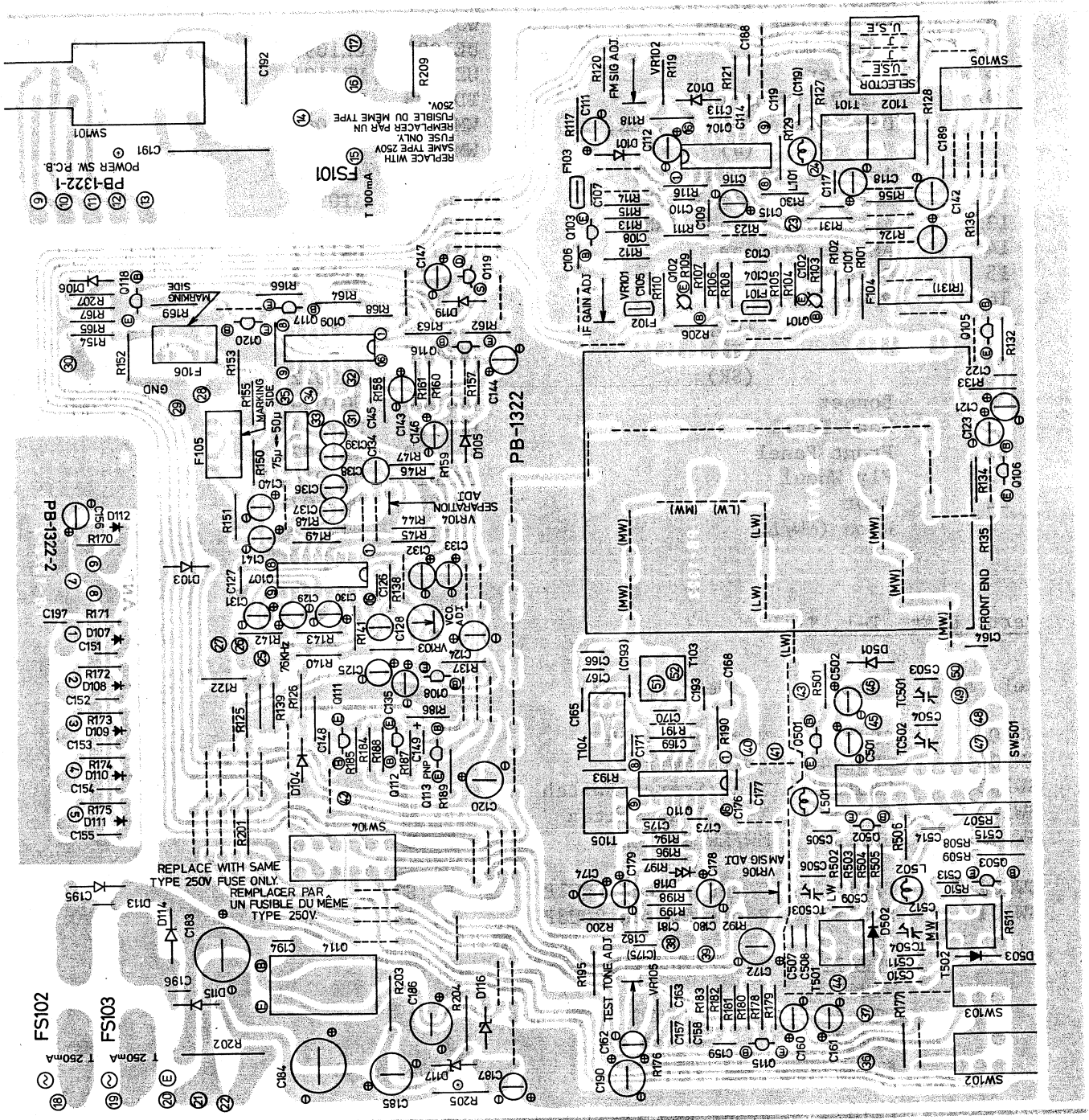




Replacement Parts List

SYMBOL NO.	PARTS NO.	DESCRIPTION AND SPECIFICATION		
C101	CK0155	Capacitor	0.01 μ F	50WV Ceramic HE70
C102	CK0157	Capacitor	0.04 μ F	25WV Ceramic C10
C103	CK0157	Capacitor	0.04 μ F	25WV Ceramic C10
C104	CK0155	Capacitor	0.01 μ F	50WV Ceramic HE70
C105	CC0038	Capacitor	5pF	50WV Ceramic HE40
C106	CK0155	Capacitor	0.01 μ F	50WV Ceramic HE70
C107	CK0155	Capacitor	0.01 μ F	50WV Ceramic HE70
C108	CK0157	Capacitor	0.04 μ F	25WV Ceramic C10
C109	CK0157	Capacitor	0.04 μ F	25WV Ceramic C10
C110	CK0157	Capacitor	0.04 μ F	25WV Ceramic C10
C111	CE0851	Capacitor	2.2 μ F	50WV U-electrolytic Radial
C112	CE0817	Capacitor	10 μ F	16WV U-electrolytic Radial
C113	CK0157	Capacitor	0.04 μ F	25WV Ceramic C10
C114	CK0157	Capacitor	0.04 μ F	25WV Ceramic C10
C115	CE0851	Capacitor	2.2 μ F	50WV U-electrolytic Radial
C116	CC0007	Capacitor	100pF	50WV Ceramic HE50
C117	CK0157	Capacitor	0.4 μ F	25WV Ceramic C10
C118	CE0849	Capacitor	0.47 μ F	50WV U-electrolytic Radial
C119	CK0157	Capacitor	0.04 μ F	25WV Ceramic C10
(C119)	CK0157	Capacitor	0.04 μ F	25WV Ceramic C10
C120	CE0821	Capacitor	100 μ F	16WV U-electrolytic Radial
C121S	CE0818	Capacitor	22 μ F	16WV U-electrolytic Radial
C122S	CK0109	Capacitor	470pF	50WV Ceramic HE40
C123	CE0818	Capacitor	22 μ F	16WV U-electrolytic Radial
C124	CE0819	Capacitor	33 μ F	16WV U-electrolytic Radial
C125	CE0818	Capacitor	22 μ F	16WV U-electrolytic Radial
C126	CK0155	Capacitor	0.01 μ F	50WV Ceramic HE70
C127	CQ0009	Capacitor	0.047 μ F	50WV Mylar YM92
C128	CQ0170	Capacitor	470pF	50WV styrol CQ09 Radial +/-5%
C129	CE0852	Capacitor	3.3 μ F	50WV U-electrolytic Radial
C130	CE0850	Capacitor	1 μ F	50WV U-electrolytic Radial
C131	CS0019	Capacitor	0.22 μ F	35WV Tantalum CS15
C132	CE0817	Capacitor	10 μ F	16WV U-electrolytic Radial
C133	CE0817	Capacitor	10 μ F	16WV U-electrolytic Radial
C134	CQ0269	Capacitor	120pF	50WV Styrol CQ09 Radial +/-5%
C135	CE0817	Capacitor	10 F	16WV U-electrolytic Radial
C136	CQ0067	Capacitor	1200pF	50WV Styrol CQ09 Radial +/-5%
C137	CQ0067	Capacitor	1200pF	50WV Styrol CQ09 Radial +/-5%
C138	^U _{EZ} CQ0210	Capacitor	620pF	50WV Styrol CQ09 Radial +/-5%
C139	^U _{EZ} CQ0210	Capacitor	620pF	50WV Styrol CQ09 Radial +/-5%
C140	CE0851	Capacitor	2.2 μ F	50WV U-electrolytic Radial
C141	CE0851	Capacitor	2.2 μ F	50WV U-electrolytic Radial
C142	CE0852	Capacitor	3.3 μ F	50WV U-electrolytic Radial
C143	CE0850	Capacitor	1 μ F	50WV U-electrolytic Radial
C144	CE0852	Capacitor	3.3 μ F	50WV U-electrolytic Radial
C145	CK0157	Capacitor	0.04 μ F	25WV Ceramic C10
C146	CE0852	Capacitor	3.3 μ F	50WV U-electrolytic Radial
C147	CE0817	Capacitor	10 μ F	16WV U-electrolytic Radial
C148	CK0155	Capacitor	0.01 μ F	50WV Ceramic HE70
C149	CK0155	Capacitor	0.01 μ F	50WV Ceramic HE70
C151	CK0157	Capacitor	0.04 μ F	25WV Ceramic C10
C152	CK0157	Capacitor	0.04 μ F	25WV Ceramic C10
C153	CK0157	Capacitor	0.04 μ F	25WV Ceramic C10
C154	CK0157	Capacitor	0.04 μ F	25WV Ceramic C10
C155	CK0157	Capacitor	0.04 μ F	25WV Ceramic C10
C156	CE0817	Capacitor	10 μ F	16WV U-electrolytic Radial
C157	CQ0013	Capacitor	0.022 μ F	50WV Mylar YM92

SYMBOL NO.	PARTS NO.	DESCRIPTION AND SPECIFICATION		
C158	CQ0013	Capacitor	0.022 μ F	50WV Mylar YM92
C159	CQ0013	Capacitor	0.022 μ F	50WV Mylar YM92
C160	CE0817	Capacitor	10 μ F	16WV U-electrolitic Radial
C161	CE0817	Capacitor	10 μ F	16WV U-electrolitic Radial
C162	CE0817	Capacitor	10 μ F	16WV U-electrolitic Radial
C163	CQ0013	Capacitor	0.022 μ F	50WV Mylar YM92
C164	CC0038	Capacitor	5pF	50WV Ceramic HE40
C165	CC0080	Capacitor	15pF	50WV Ceramic HE40
C166	CC0004	Capacitor	22pF	50WV Ceramic HE40
C167	CQ0172	Capacitor	330pF	50WV Styrol CQ09 Radial +/-5%
C168	CK0156	Capacitor	0.022 μ F	25WV Ceramic HE75
C169	CK0156	Capacitor	0.022 μ F	25WV Ceramic HE75
C170	CK0156	Capacitor	0.022 μ F	25WV Ceramic HE75
C171	CK0156	Capacitor	0.022 μ F	25WV Ceramic HE75
C172	CE0821	Capacitor	100 μ F	16WV U-electrolitic Radial
C173	CK0113	Capacitor	1000pF	50WV Ceramic HE50
C174	CE0817	Capacitor	10 μ F	16WV U-electrolitic Radial
C175	CK0155	Capacitor	0.01 μ F	50WV Ceramic HE70
C176	CK0157	Capacitor	0.04 μ F	25WV Ceramic C10
C177	CK0157	Capacitor	0.04 μ F	25WV Ceramic C10
C178	CE0817	Capacitor	10 μ F	16WV U-electrolitic Radial
C179	CE0852	Capacitor	3.3 μ F	50WV U-electrolitic Radial
C180	CK0155	Capacitor	0.01 μ F	50WV Ceramic HE70
C181	CK0130	Capacitor	4700pF	50WV Ceramic HE80
C182	CK0157	Capacitor	0.04 μ F	25WV Ceramic C10
C183	CE0836	Capacitor	1000 μ F	25WV U-electrolitic Radial
C184	CE0846	Capacitor	470 μ F	35WV U-electrolitic Radial
C185	CE0833	Capacitor	220 μ F	25WV U-electrolitic Radial
C186	CE0821	Capacitor	100 μ F	16WV U-electrolitic Radial
C187	CE0817	Capacitor	10 μ F	16WV U-electrolitic Radial
C189	CK0157	Capacitor	0.04 μ F	25WV Ceramic C10
C191E	CU0033	Capacitor	0.022 μ F	250WV Linepass PME
C191S	CU0041	Capacitor	0.022 μ F	250WV Linepass PME
C191U	CU0076			
C192E	CU0033	Capacitor	0.022 μ F	250WV Linepass PME
C192S	CU0041	Capacitor	0.022 μ F	250WV Linepass PME
C193	CK0157	Capacitor	0.04 μ F	25WV Ceramic C10
C194	CK0155	Capacitor	0.01 μ F	50WV Ceramic HE70
C195	CK0155	Capacitor	0.01 μ F	50WV Ceramic HE70
C196	CK0155	Capacitor	0.01 μ F	50WV Ceramic HE70
C197	CK0157	Capacitor	0.04 μ F	25WV Ceramic C10
D101	TD0197	Diode	US1070	
D102	TD0197	Diode	US1070	
D103	TD0197	Diode	US1070	
D104	TD0197	Diode	US1070	
D105	TD0197	Diode	US1070	
D106	TD0197	Diode	US1070	
D107	TD0203	LED SEL1112R		
D108	TD0203	LED SEL1112R		
D109	TD0203	LED SEL1112R		
D110	TD0203	LED SEL1112R		
D111	TD0203	LED SEL1112R		
D112	TD0203	LED SEL1112R		
D113	TD0168	D SISY-20		
D114	TD0168	D SISY-20		
D115	TD0197	Diode	US1070	
D116	TD0079	Diode Zener	WZ140	14V
D117	TD0079	Diode Zener	WZ140	14V
D118	TV0030	Diode Varistor	KB265-C4	
D119	TD0197	Diode	US1070	



PB-1322-1
 POWER SW P.C.B.
 C191
 SW101

FS101
 T 100mA
 REPLACE WITH
 SAME TYPE 250V
 FUSE ONLY.
 REMPLACER PAR UN
 FUSIBLE DU MEME TYPE
 250V.

PB-1322-2
 C196
 R170
 C197
 R171
 C198
 R172
 D108
 C199
 R173
 D109
 C200
 R174
 C201
 R175
 D110
 C202
 R176
 D111
 C203
 R177
 D112
 C204
 R178
 D113
 C205
 R179
 D114
 C206
 R180
 D115
 C207
 R181
 D116
 C208
 R182
 D117
 C209
 R183
 D118
 C210
 R184
 D119
 C211
 R185
 D120
 C212
 R186
 D121
 C213
 R187
 D122
 C214
 R188
 D123
 C215
 R189
 D124
 C216
 R190
 D125
 C217
 R191
 D126
 C218
 R192
 D127
 C219
 R193
 D128
 C220
 R194
 D129
 C221
 R195
 D130
 C222
 R196
 D131
 C223
 R197
 D132
 C224
 R198
 D133
 C225
 R199
 D134
 C226
 R200
 D135
 C227
 R201
 D136
 C228
 R202
 D137
 C229
 R203
 D138
 C230
 R204
 D139
 C231
 R205
 D140
 C232
 R206
 D141
 C233
 R207
 D142
 C234
 R208
 D143
 C235
 R209
 D144
 C236
 R210
 D145
 C237
 R211
 D146
 C238
 R212
 D147
 C239
 R213
 D148
 C240
 R214
 D149
 C241
 R215
 D150
 C242
 R216
 D151
 C243
 R217
 D152
 C244
 R218
 D153
 C245
 R219
 D154
 C246
 R220
 D155
 C247
 R221
 D156
 C248
 R222
 D157
 C249
 R223
 D158
 C250
 R224
 D159
 C251
 R225
 D160
 C252
 R226
 D161
 C253
 R227
 D162
 C254
 R228
 D163
 C255
 R229
 D164
 C256
 R230
 D165
 C257
 R231
 D166
 C258
 R232
 D167
 C259
 R233
 D168
 C260
 R234
 D169
 C261
 R235
 D170
 C262
 R236
 D171
 C263
 R237
 D172
 C264
 R238
 D173
 C265
 R239
 D174
 C266
 R240
 D175
 C267
 R241
 D176
 C268
 R242
 D177
 C269
 R243
 D178
 C270
 R244
 D179
 C271
 R245
 D180
 C272
 R246
 D181
 C273
 R247
 D182
 C274
 R248
 D183
 C275
 R249
 D184
 C276
 R250
 D185
 C277
 R251
 D186
 C278
 R252
 D187
 C279
 R253
 D188
 C280
 R254
 D189
 C281
 R255
 D190
 C282
 R256
 D191
 C283
 R257
 D192
 C284
 R258
 D193
 C285
 R259
 D194
 C286
 R260
 D195
 C287
 R261
 D196
 C288
 R262
 D197
 C289
 R263
 D198
 C290
 R264
 D199
 C291
 R265
 D200
 C292
 R266
 D201
 C293
 R267
 D202
 C294
 R268
 D203
 C295
 R269
 D204
 C296
 R270
 D205
 C297
 R271
 D206
 C298
 R272
 D207
 C299
 R273
 D208
 C300
 R274
 D209
 C301
 R275
 D210
 C302
 R276
 D211
 C303
 R277
 D212
 C304
 R278
 D213
 C305
 R279
 D214
 C306
 R280
 D215
 C307
 R281
 D216
 C308
 R282
 D217
 C309
 R283
 D218
 C310
 R284
 D219
 C311
 R285
 D220
 C312
 R286
 D221
 C313
 R287
 D222
 C314
 R288
 D223
 C315
 R289
 D224
 C316
 R290
 D225
 C317
 R291
 D226
 C318
 R292
 D227
 C319
 R293
 D228
 C320
 R294
 D229
 C321
 R295
 D230
 C322
 R296
 D231
 C323
 R297
 D232
 C324
 R298
 D233
 C325
 R299
 D234
 C326
 R300
 D235
 C327
 R301
 D236
 C328
 R302
 D237
 C329
 R303
 D238
 C330
 R304
 D239
 C331
 R305
 D240
 C332
 R306
 D241
 C333
 R307
 D242
 C334
 R308
 D243
 C335
 R309
 D244
 C336
 R310
 D245
 C337
 R311
 D246
 C338
 R312
 D247
 C339
 R313
 D248
 C340
 R314
 D249
 C341
 R315
 D250
 C342
 R316
 D251
 C343
 R317
 D252
 C344
 R318
 D253
 C345
 R319
 D254
 C346
 R320
 D255
 C347
 R321
 D256
 C348
 R322
 D257
 C349
 R323
 D258
 C350
 R324
 D259
 C351
 R325
 D260
 C352
 R326
 D261
 C353
 R327
 D262
 C354
 R328
 D263
 C355
 R329
 D264
 C356
 R330
 D265
 C357
 R331
 D266
 C358
 R332
 D267
 C359
 R333
 D268
 C360
 R334
 D269
 C361
 R335
 D270
 C362
 R336
 D271
 C363
 R337
 D272
 C364
 R338
 D273
 C365
 R339
 D274
 C366
 R340
 D275
 C367
 R341
 D276
 C368
 R342
 D277
 C369
 R343
 D278
 C370
 R344
 D279
 C371
 R345
 D280
 C372
 R346
 D281
 C373
 R347
 D282
 C374
 R348
 D283
 C375
 R349
 D284
 C376
 R350
 D285
 C377
 R351
 D286
 C378
 R352
 D287
 C379
 R353
 D288
 C380
 R354
 D289
 C381
 R355
 D290
 C382
 R356
 D291
 C383
 R357
 D292
 C384
 R358
 D293
 C385
 R359
 D294
 C386
 R360
 D295
 C387
 R361
 D296
 C388
 R362
 D297
 C389
 R363
 D298
 C390
 R364
 D299
 C391
 R365
 D300
 C392
 R366
 D301
 C393
 R367
 D302
 C394
 R368
 D303
 C395
 R369
 D304
 C396
 R370
 D305
 C397
 R371
 D306
 C398
 R372
 D307
 C399
 R373
 D308
 C400
 R374
 D309
 C401
 R375
 D310
 C402
 R376
 D311
 C403
 R377
 D312
 C404
 R378
 D313
 C405
 R379
 D314
 C406
 R380
 D315
 C407
 R381
 D316
 C408
 R382
 D317
 C409
 R383
 D318
 C410
 R384
 D319
 C411
 R385
 D320
 C412
 R386
 D321
 C413
 R387
 D322
 C414
 R388
 D323
 C415
 R389
 D324
 C416
 R390
 D325
 C417
 R391
 D326
 C418
 R392
 D327
 C419
 R393
 D328
 C420
 R394
 D329
 C421
 R395
 D330
 C422
 R396
 D331
 C423
 R397
 D332
 C424
 R398
 D333
 C425
 R399
 D334
 C426
 R400
 D335
 C427
 R401
 D336
 C428
 R402
 D337
 C429
 R403
 D338
 C430
 R404
 D339
 C431
 R405
 D340
 C432
 R406
 D341
 C433
 R407
 D342
 C434
 R408
 D343
 C435
 R409
 D344
 C436
 R410
 D345
 C437
 R411
 D346
 C438
 R412
 D347
 C439
 R413
 D348
 C440
 R414
 D349
 C441
 R415
 D350
 C442
 R416
 D351
 C443
 R417
 D352
 C444
 R418
 D353
 C445
 R419
 D354
 C446
 R420
 D355
 C447
 R421
 D356
 C448
 R422
 D357
 C449
 R423
 D358
 C450
 R424
 D359
 C451
 R425
 D360
 C452
 R426
 D361
 C453
 R427
 D362
 C454
 R428
 D363
 C455
 R429
 D364
 C456
 R430
 D365
 C457
 R431
 D366
 C458
 R432
 D367
 C459
 R433
 D368
 C460
 R434
 D369
 C461
 R435
 D370
 C462
 R436
 D371
 C463
 R437
 D372
 C464
 R438
 D373
 C465
 R439
 D374
 C466
 R440
 D375
 C467
 R441
 D376
 C468
 R442
 D377
 C469
 R443
 D378
 C470
 R444
 D379
 C471
 R445
 D380
 C472
 R446
 D381
 C473
 R447
 D382
 C474
 R448
 D383
 C475
 R449
 D384
 C476
 R450
 D385
 C477
 R451
 D386
 C478
 R452
 D387
 C479
 R453
 D388
 C480
 R454
 D389
 C481
 R455
 D390
 C482
 R456
 D391
 C483
 R457
 D392
 C484
 R458
 D393
 C485
 R459
 D394
 C486
 R460
 D395
 C487
 R461
 D396
 C488
 R462
 D397
 C489
 R463
 D398
 C490
 R464
 D399
 C491
 R465
 D400
 C492
 R466
 D401
 C493
 R467
 D402
 C494
 R468
 D403
 C495
 R469
 D404
 C496
 R470
 D405
 C497
 R471
 D406
 C498
 R472
 D407
 C499
 R473
 D408
 C500
 R474
 D409
 C501
 R475
 D410
 C502
 R476
 D411
 C503
 R477
 D412
 C504
 R478
 D413
 C505
 R479
 D414
 C506
 R480
 D415
 C507
 R481
 D416
 C508
 R482
 D417
 C509
 R483
 D418
 C510
 R484
 D419
 C511
 R485
 D420
 C512
 R486
 D421
 C513
 R487
 D422
 C514
 R488
 D423
 C515
 R489
 D424
 C516
 R490
 D425
 C517
 R491
 D426
 C518
 R492
 D427
 C519
 R493
 D428
 C520
 R494
 D429
 C521
 R495
 D430
 C522
 R496
 D431
 C523
 R497
 D432
 C524
 R498
 D433
 C525
 R499
 D434
 C526
 R500
 D435
 C527
 R501
 D436
 C528
 R502
 D437
 C529
 R503
 D438
 C530
 R504
 D439
 C531
 R505
 D440
 C532
 R506
 D441
 C533
 R507
 D442
 C534
 R508
 D443
 C535
 R509
 D444
 C536
 R510
 D445
 C537
 R511
 D446
 C538
 R512
 D447
 C539
 R513
 D448
 C540
 R514
 D449
 C541
 R515
 D450
 C542
 R516
 D451
 C543
 R517
 D452
 C544
 R518
 D453
 C545
 R519
 D454
 C546
 R520
 D455
 C547
 R521
 D456
 C548
 R522
 D457
 C549
 R523
 D458
 C550
 R524
 D459
 C551
 R525
 D460
 C552
 R526
 D461
 C553
 R527
 D462
 C554
 R528
 D463
 C555
 R529
 D464
 C556
 R530
 D465
 C557
 R531
 D466
 C558
 R532
 D467
 C559
 R533
 D468
 C560
 R534
 D469
 C561
 R535
 D470
 C562
 R536
 D471
 C563
 R537
 D472
 C564
 R538
 D473
 C565
 R539
 D474
 C566
 R540
 D475
 C567
 R541
 D476
 C568
 R542
 D477
 C569
 R543
 D478
 C570
 R544
 D479
 C571
 R545
 D480
 C572
 R546
 D481
 C573
 R547
 D482
 C574
 R548
 D483
 C575
 R549
 D484
 C576
 R550
 D485
 C577
 R551
 D486
 C578
 R552
 D487
 C579
 R553
 D488
 C580
 R554
 D489
 C581
 R555
 D490
 C582
 R556
 D491
 C583
 R557
 D492
 C584
 R558
 D493
 C585
 R559
 D494
 C586
 R560
 D495
 C587
 R561
 D496
 C588
 R562
 D497
 C589
 R563
 D498
 C590
 R564
 D499
 C591
 R565
 D500
 C592
 R566
 D501
 C593
 R567
 D502
 C594
 R568
 D503
 C595
 R569
 D504
 C596
 R570
 D505
 C597
 R571
 D506
 C598
 R572
 D507
 C599
 R573
 D508
 C600
 R574
 D509
 C601
 R575
 D510
 C602
 R576
 D511
 C603
 R577
 D512
 C604
 R578
 D513
 C605
 R579
 D514
 C606
 R580
 D515
 C607
 R581
 D516
 C608
 R582
 D517
 C609
 R583
 D518
 C610
 R584
 D519
 C611
 R585
 D520
 C612
 R586
 D521
 C613
 R587
 D522
 C614
 R588
 D523
 C615
 R589
 D524
 C616
 R590
 D525
 C617
 R591
 D526
 C618
 R592
 D527
 C619
 R593
 D528
 C620
 R594
 D529
 C621
 R595
 D530
 C622
 R596
 D531
 C623
 R597
 D532
 C624
 R598
 D533
 C625
 R599
 D534
 C626
 R600
 D535
 C627
 R601
 D536
 C628
 R602
 D537
 C629
 R603
 D538
 C630
 R604
 D539
 C631
 R605
 D540
 C632
 R606
 D541
 C633
 R607
 D542
 C634
 R608
 D543
 C635
 R609
 D544
 C636
 R610
 D545
 C637
 R611
 D546
 C638
 R612
 D547
 C639
 R613
 D548
 C640
 R614
 D549
 C641
 R615
 D550
 C642
 R616
 D551
 C643
 R617
 D552
 C644
 R618
 D553
 C645
 R619
 D554
 C646
 R620
 D555
 C647
 R621
 D556
 C648
 R622
 D557
 C649
 R623
 D558
 C650
 R624
 D559
 C651
 R625
 D560
 C652
 R626
 D561
 C653
 R627
 D562
 C654
 R628
 D563
 C655
 R629
 D564
 C656
 R630
 D565
 C657
 R631
 D566
 C658
 R632
 D567
 C659
 R633
 D568
 C660
 R634
 D569
 C661
 R635
 D570
 C662
 R636
 D571
 C663
 R637
 D572
 C664
 R638
 D573
 C665
 R639
 D574
 C666
 R640
 D575
 C667
 R641
 D576
 C668
 R642
 D577
 C669
 R643
 D578
 C670
 R644
 D579
 C671
 R645
 D580
 C672
 R646
 D581
 C673
 R647
 D582
 C674
 R648
 D583
 C675
 R649
 D584
 C676
 R650
 D585
 C677
 R651
 D586
 C678
 R652
 D587
 C679
 R653
 D588
 C680
 R654
 D589
 C681
 R655
 D590
 C682
 R656
 D591
 C683
 R657
 D592
 C684
 R658
 D593
 C685
 R659
 D594
 C686
 R660
 D595
 C687
 R661
 D596
 C688
 R662
 D597
 C689
 R663
 D598
 C690
 R664
 D599
 C691
 R665
 D600
 C692
 R666
 D601
 C693
 R667
 D602

Parts List

Ref. No.	Description	T-1	T-1L
1	Knob (tuning) (UC, UZ, EK, SK) (J)	WH1104 WH1103	WH1104 -
2	Knob (Muting)	WJ1140	WJ1140
3	Knob (Power)	WJ1133	WJ1133
4	Knob (AM/FM)	WJ1140	WJ1140
5	Knob (Mono/Stereo)	WJ1140	WJ1140
6	Knob (test tone)	WJ1140	WJ1140
7	Protector	UE1093	UE1093
8	Pointer	UZ1191	UZ1191
9	L.E.D. (SEL1112R)	TD0203	TD0203
10	Dial Scale (UC, UZ, EK, SK) (J)	WM1061 WM1060	WM1062 -
11	Antenna terminal (FM)	AT0121	AT0121
12	Antenna terminal (FM)	AT0121	AT0121
13	Antenna terminal (AM)	AT0121	AT0121
14	AM Bar Antenna	LA1129	LA1117
15	Output terminal	AT5017	AT5017
16	Power Cord (J) (UC, UZ) (EK) (SK)	BK0015 BK0018 BK0022 BK0022	- - - BK0022
17	Bonnet	UG1024	UG1024
18	Rear Panel	UC1171	UC1173
19	Front Panel	WA1200	WA1202
20	Fly Wheel	UX1014	UX1014
21	Foot	WN0007	WN0007
4'	Knob (MW/LW)	-	WJ1140

Parts List T-1, T-1L

Ref. No.	Code	Description	Remarks
SW105	SP0162	Muting Switch	
SW104	SP0164	AM/FM Switch	
SW103	SP0163	Mono/Stereo Switch	
SW102	SP0163	Test Tone Switch	
SWa ~ f	SP0150	MW/LW Switch	T-1L
SW101	SP0151	Power Switch SDU1P	E, S
SW101	SP0152	Power Switch SDU3P	U, J
	PT2472	Power Trans Former	U
	PT2473	"	S
	PT2474	"	E
	PT2471	"	J
	PT2519	"	(220V only)
	LA1923	Front End (FF111U22)	E, S, U
	LA1922	" (FF111J15)	J
PL	AL0039	Lamp	

SYMBOL NO.	PARTS NO.	DESCRIPTION AND SPECIFICATION			
F104S	LA1192	Anti-bardie Filter	Lux-1192		
F105	LA1196	Low-pass Filter	BL-30HJ		
F106	LA1196	Low-pass Filter	BL-30HJ		
L101	LA1173	CHOKe Coil	S-220J		
Q101	TR0092	Transistor	2SC1674		
Q102	TR0019	Transistor	2SC1923		
Q103	TR0019	Transistor	2SC1923		
Q104	TC0099	IC	LA1231NS		
Q105	TR0198	Transistor	2SC1815		
Q106	TR0198	Transistor	2SC1815		
Q107	TC0094	IC	UPC1161C		
Q108	TR0198	Transistor	2SC1815		
Q109	TC0173	IC	BA685		
Q110	TC0021	IC	HA1197		
Q111	TR0198	Transistor	2SC1815		
Q112	TR0198	Transistor	2SC1815		
Q113	TR0087	Transistor	2SA1015		
Q114	TR5012	Transistor	2SD880		
Q115	TR0198	Transistor	2SC1815		
Q116	TR0198	Transistor	2SC1815		
Q117	TR0198	Transistor	2SC1815		
Q118	TR0198	Transistor	2SC1815		
Q119	TF0030	FET	2SK117Y		
Q120	TR0198	Transistor	2SC1815		
R101	RB0364	Resistor	470 OHM	0.25W +/-5%	Carbon RD25S
R102	RB0390	Resistor	5.6K OHM	0.25W +/-5%	Carbon RD25S
R103	RB0344	Resistor	68 OHM	0.25W +/-5%	Carbon RD25S
R104	RB0360	Resistor	330 OHM	0.25W +/-5%	Carbon RD25S
R105	RB0348	Resistor	100 OHM	0.25W +/-5%	Carbon RD25S
R106	RB0348	Resistor	100 OHM	0.25W +/-5%	Carbon RD25S
R107	RB0364	Resistor	470 OHM	0.25W +/-5%	Carbon RD25S
R108	RB0382	Resistor	2.7K OHM	0.25W +/-5%	Carbon RD25S
R108	RB0364	Resistor	470 OHM	0.25W +/-5%	Carbon RD25S
R110	RB0360	Resistor	330 OHM	0.25W +/-5%	Carbon RD25S
R111	RB0348	Resistor	100 OHM	0.25W +/-5%	Carbon RD25S
R112	RB0388	Resistor	4.7K OHM	0.25W +/-5%	Carbon RD25S
R113	RB0414	Resistor	56K OHM	0.25W +/-5%	Carbon RD25S
R114	RB0344	Resistor	68 OHM	0.25W +/-5%	Carbon RD25S
R115	RB0360	Resistor	330 OHM	0.25W +/-5%	Carbon RD25S
R116	RB0364	Resistor	470 OHM	0.25W +/-5%	Carbon RD25S
R117	RB0416	Resistor	68K OHM	0.25W +/-5%	Carbon RD25S
R118	RB0400	Resistor	15K OHM	0.25W +/-5%	Carbon RD25S
R119	RB0406	Resistor	27K OHM	0.25W +/-5%	Carbon RD25S
R120	RB0412	Resistor	47K OHM	0.25W +/-5%	Carbon RD25S
R121	RB0348	Resistor	100 OHM	0.25W +/-5%	Carbon RD25S
R122	RB0396	Resistor	10K OHM	0.25W +/-5%	Carbon RD25S
R123	RB0414	Resistor	56K OHM	0.25W +/-5%	Carbon RD25S
R124	RB0404	Resistor	22K OHM	0.25W +/-5%	Carbon RD25S
R125	RB0396	Resistor	10K OHM	0.25W +/-5%	Carbon RD25S
R126	RB0396	Resistor	10K OHM	0.25W +/-5%	Carbon RD25S
R127	RB0394	Resistor	8.2K OHM	0.25W +/-5%	Carbon RD25S
R128	RB0378	Resistor	1.8K OHM	0.25W +/-5%	Carbon RD25S
R129	RB0356	Resistor	220 OHM	0.25W +/-5%	Carbon RD25S
R130	RB0406	Resistor	27K OHM	0.25W +/-5%	Carbon RD25S
R131E	RB0364	Resistor	470 OHM	0.25W +/-5%	Carbon RD25S
R131J	RB0364	Resistor	470 OHM	0.25W +/-5%	Carbon RD25S
R131S	RB0396	Resistor	10K OHM	0.25W +/-5%	Carbon RD25S
R131U	RB0364	Resistor	470 OHM	0.25W +/-5%	Carbon RD25S

SYMBOL NO.	PARTS NO.	DESCRIPTION AND SPECIFICATION			
R132S	RB0396	Resistor	10K OHM	0.25W +/-5% Carbon	RD25S
R133	RB0388	Resistor	4.7K OHM	0.25W +/-5% Carbon	RD25S
R134E	RB0402	Resistor	18K OHM	0.25W +/-5% Carbon	RD25S
R134J	RB0402	Resistor	18K OHM	0.25W +/-5% Carbon	RD25S
R134S	RB0392	Resistor	6.8K OHM	0.25W +/-5% Carbon	RD25S
R134U	RB0402	Resistor	18K OHM	0.25W +/-5% Carbon	RD25S
R135E	RB0406	Resistor	27K OHM	0.25W +/-5% Carbon	RD25S
R135J	RB0406	Resistor	27K OHM	0.25W +/-5% Carbon	RD25S
R135S	RB0408	Resistor	33K OHM	0.25W +/-5% Carbon	RD25S
R135U	RB0406	Resistor	27K OHM	0.25W +/-5% Carbon	RD25S
R136	RB0396	Resistor	10K OHM	0.25W +/-5% Carbon	RD25S
R137	RB0384	Resistor	3.3K OHM	0.25W +/-5% Carbon	RD25S
R138E	RB0404	Resistor	22K OHM	0.25W +/-5% Carbon	RD25S
R138J	RB0404	Resistor	22K OHM	0.25W +/-5% Carbon	RD25S
R138S	RB0400	Resistor	15K OHM	0.25W +/-5% Carbon	RD25S
R138U	RB0404	Resistor	22K OHM	0.25W +/-5% Carbon	RD25S
R141	RB0400	Resistor	15K OHM	0.25W +/-5% Carbon	RD25S
R142	RB0378	Resistor	1.8K OHM	0.25W +/-5% Carbon	RD25S
R143	RB0372	Resistor	1K OHM	0.25W +/-5% Carbon	RD25S
R144	RB0404	Resistor	22K OHM	0.25W +/-5% Carbon	RD25S
R145	RB0404	Resistor	22K OHM	0.25W +/-5% Carbon	RD25S
R146	RB0390	Resistor	5.6K OHM	0.25W +/-5% Carbon	RD25S
R147	RB0390	Resistor	5.6K OHM	0.25W +/-5% Carbon	RD25S
R148	RB0412	Resistor	47K OHM	0.25W +/-5% Carbon	RD25S
R149	RB0412	Resistor	47K OHM	0.25W +/-5% Carbon	RD25S
R150	RB0384	Resistor	3.3K OHM	0.25W +/-5% Carbon	RD25S
R151	RB0384	Resistor	3.3K OHM	0.25W +/-5% Carbon	RD25S
R152	RB0384	Resistor	3.3K OHM	0.25W +/-5% Carbon	RD25S
R153	RB0384	Resistor	3.3K OHM	0.25W +/-5% Carbon	RD25S
R154	RB0356	Resistor	220 OHM	0.25W +/-5% Carbon	RD25S
R155	RB0356	Resistor	220 OHM	0.25W +/-5% Carbon	RD25S
R156	RB0398	Resistor	12K OHM	0.25W +/-5% Carbon	RD25S
R157	RB0388	Resistor	4.7K OHM	0.25W +/-5% Carbon	RD25S
R158	RB0412	Resistor	47K OHM	0.25W +/-5% Carbon	RD25S
R159	RB0388	Resistor	4.7K OHM	0.25W +/-5% Carbon	RD25S
R160	RB0412	Resistor	47K OHM	0.25W +/-5% Carbon	RD25S
R161	RB0412	Resistor	47K OHM	0.25W +/-5% Carbon	RD25S
R162	RB0412	Resistor	47K OHM	0.25W +/-5% Carbon	RD25S
R163	RB0412	Resistor	47K OHM	0.25W +/-5% Carbon	RD25S
R164	RB0412	Resistor	47K OHM	0.25W +/-5% Carbon	RD25S
R165	RB0396	Resistor	10K OHM	0.25W +/-5% Carbon	RD25S
R166	RB0412	Resistor	47K OHM	0.25W +/-5% Carbon	RD25S
R167	RB0436	Resistor	470K OHM	0.25W +/-5% Carbon	RD25S
R168	RB0364	Resistor	470 OHM	0.25W +/-5% Carbon	RD25S
R169	RB0410	Resistor	39K OHM	0.25W +/-5% Carbon	RD25S
R170	RB0396	Resistor	10K OHM	0.25W +/-5% Carbon	RD25S
R171	RB0378	Resistor	1.8K OHM	0.25W +/-5% Carbon	RD25S
R172	RB0378	Resistor	1.8K OHM	0.25W +/-5% Carbon	RD25S
R173	RB0378	Resistor	1.8K OHM	0.25W +/-5% Carbon	RD25S
R174	RB0378	Resistor	1.8K OHM	0.25W +/-5% Carbon	RD25S
R175	RB0378	Resistor	1.8K OHM	0.25W +/-5% Carbon	RD25S
R176	RB0414	Resistor	56K OHM	0.25W +/-5% Carbon	RD25S
R177	RB0372	Resistor	1K OHM	0.25W +/-5% Carbon	RD25S
R178	RB0388	Resistor	4.7K OHM	0.25W +/-5% Carbon	RD25S
R179	RB0372	Resistor	1K OHM	0.25W +/-5% Carbon	RD25S
R180	RB0418	Resistor	82K OHM	0.25W +/-5% Carbon	RD25S
R181	RB0398	Resistor	12K OHM	0.25W +/-5% Carbon	RD25S
R182	RB0388	Resistor	4.7K OHM	0.25W +/-5% Carbon	RD25S
R183	RB0388	Resistor	4.7K OHM	0.25W +/-5% Carbon	RD25S
R184	RB0392	Resistor	6.8K OHM	0.25W +/-5% Carbon	RD25S
R185	RB0416	Resistor	68K OHM	0.25W +/-5% Carbon	RD25S

SYMBOL NO.	PARTS NO.	DESCRIPTION AND SPECIFICATION			
R186	RB0386	Resistor	3.9K OHM	0.25W +/-5%	Carbon RD25S
R187	RB0420	Resistor	100K OHM	0.25W +/-5%	Carbon RD25S
R188	RB0348	Resistor	100 OHM	0.25W +/-5%	Carbon RD25S
R189	RB0388	Resistor	4.7K OHM	0.25W +/-5%	Carbon RD25S
R190	RB0324	Resistor	10 OHM	0.25W +/-5%	Carbon RD25S
R191	RB0376	Resistor	1.5K OHM	0.25W +/-5%	Carbon RD25S
R192	RB0356	Resistor	220 OHM	0.25W +/-5%	Carbon RD25S
R193	RB0390	Resistor	5.6K OHM	0.25W +/-5%	Carbon RD25S
R194	RB0360	Resistor	330 OHM	0.25W +/-5%	Carbon RD25S
R195	RB0348	Resistor	100 OHM	0.25W +/-5%	Carbon RD25S
R196	RB0396	Resistor	10K OHM	0.25W +/-5%	Carbon RD25S
R197	RB0396	Resistor	10K OHM	0.25W +/-5%	Carbon RD25S
R198	RB0382	Resistor	2.7K OHM	0.25W +/-5%	Carbon RD25S
R199	RB0400	Resistor	15K OHM	0.25W +/-5%	Carbon RD25S
R200E	RB0392	Resistor	6.8K OHM	0.25W +/-5%	Carbon RD25S
R200J	RB0392	Resistor	6.8K OHM	0.25W +/-5%	Carbon RD25S
R200S	RB0386	Resistor	3.9K OHM	0.25W +/-5%	Carbon RD25S
R200U	RB0392	Resistor	6.8K OHM	0.25W +/-5%	Carbon RD25S
R201	RB0372	Resistor	1K OHM	0.25W +/-5%	Carbon RD25S
R202	RS3069	Resistor	82 OHM	1W +/-5%	FLAME PROOF
R203	RD2574	Resistor	470 OHM	0.5W +/-5%	Carbon RD1/2
R204	RD0470	Resistor	470 OHM	0.25W +/-5%	Carbon RD1/4S
R205	RD2574	Resistor	470 OHM	0.5W +/-5%	Carbon RD1/2
R206	RB0348	Resistor	100 OHM	0.25W +/-5%	Carbon RD25S
R207	RB0412	Resistor	47K OHM	0.25W +/-5%	Carbon RD25S
R209	RD0100	Resistor	2.2M OHM	0.25W +/-5%	Carbon RD1/2
T101	LA5021	FM Transformer	LUX5021		
T102	LA5022	FM Transformer	LUX5022		
T103	LA1073	AM Transformer	LUX-1073		
T104	LA1098	AM Transformer	FSN-1067		
T105	LA1100	AM Transformer	LA-1100		
VR101	RT0054	SEMI Fixed Resistor	300 OHM B		KVSF8-7PNFX
VR102	RT0052	SEMI Fixed Resistor	20K OHM B		KVSF8-7PNFX
VR103	RT0025	SEMI Fixed Resistor	4.7K OHM B		SR19R
VR104	RT0109	SEMI Fixed Resistor	500K OHM B		KVSF8-7PNFX
VR105	RT0086	SEMI Fixed Resistor	10K OHM B		KVSF8-7PNFX
VR106	RT0051	SEMI Fixed Resistor	5K OHM B		KVSF8-7PNFX

	FS101	FS102	FS103
S	T 100mA	T 250mA	T 250mA
J	0.2A	0.5A	0.5A
U	0.2A	0.5A	0.5A
E	EK: 0.1A EZ: 0.2A	0.5A	0.5A

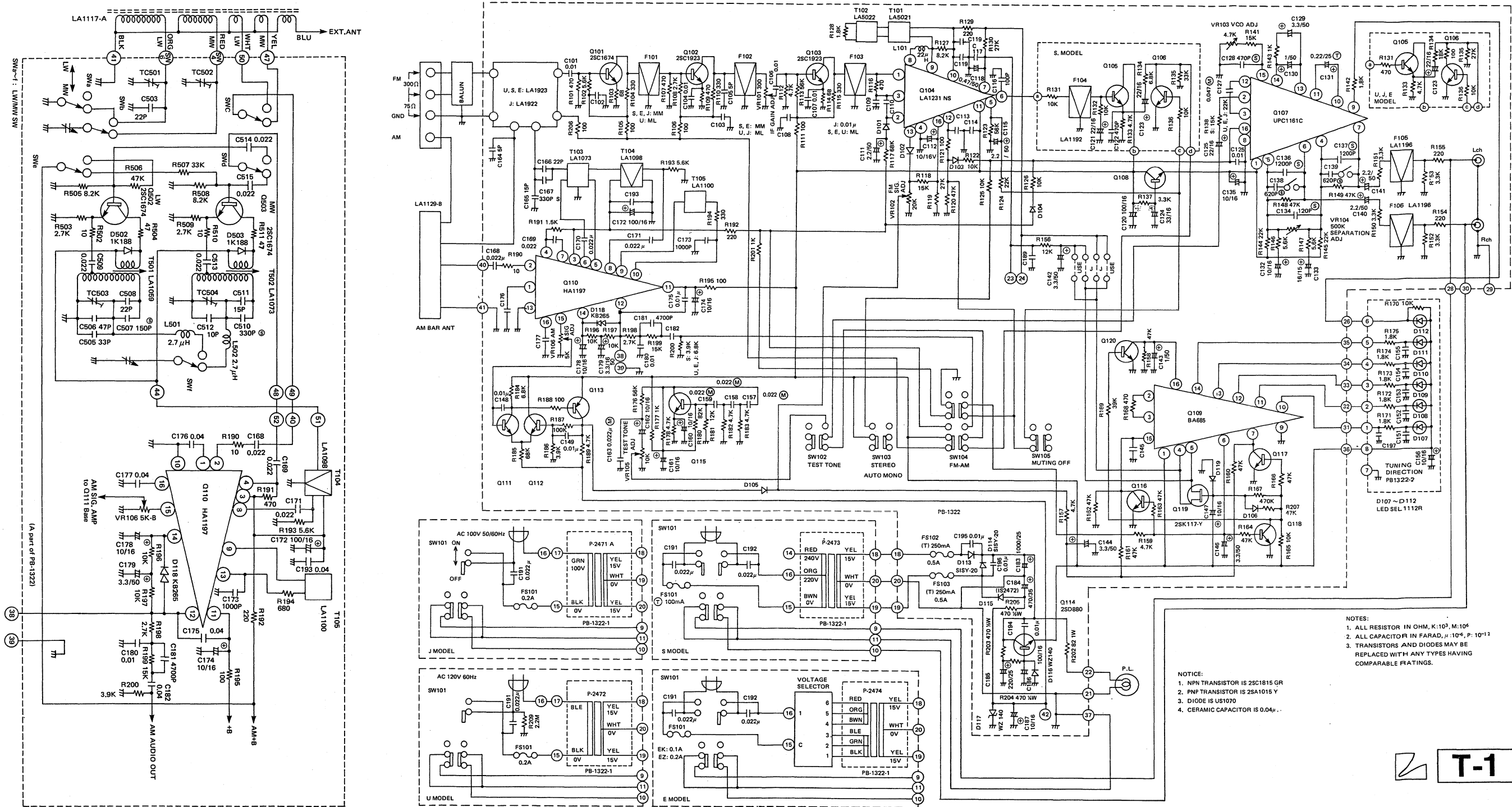
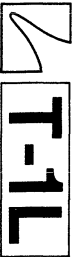
Parts List T1-L Only

Ref. No.	Code	Description
C503	CC0004	22pF 50V ± 10%
C505	CC0005	33pF 50V ± 10%
C506	CC0006	47pF 50V ± 10%
C507	CQ0205	150pF 50V ± 5%
C508	CC0004	22pF 50V ± 10%
C509	CC0156	0.022μF 25V
C510	CQ0172	330pF 50V ± 5%
C511	CC0080	15pF 50V ± 10%
C512	CC0012	10pF 50V ± 10%
C513	CK0156	0.022μF 25V
C514	CK0156	0.022μF 25V
C515	CK0156	0.022μF 25V
TC501	CT0008	20pF TRIMMER
TC502	CT0008	20pF TRIMMER
TC503	CT0008	20pF TRIMMER
TC504	CT0008	20pF TRIMMER
T501	LA1095	LW TRANS FORMER
T502	LA1073	AM TRANS FORMER
Q502	TR0092	2SC1674
Q503	TR0092	2SC1674
D502	TD0018	1K-188FM
D503	TD0018	1K-188FM
R502	RB0324	10 Ω 1/4w ± 5%
R503	RB0382	2.7K
R504	RB0340	47
R505	RB0394	8.2K
R506	RB0412	47K
R507	RB0408	33K
R508	RB0394	8.2K
R509	RB0382	2.7K
R510	RB0324	10
R511	RB0340	47

SPECIFICATIONS

[FM SECTION](IEEE/IHF Standard)	(MONO)	(STEREO)
Usable Sensitivity:	10.8dBf(1.9μV)	
50dB Quieting Sensitivity:	16.0dBf(3.5μV)	
Signal-to-Noise Ratio at 65dBf:	75dB(IHF A weighted)	
Frequency Response:	-1dB(30Hz-15kHz)	
Distortion at 65dBf:	100Hz	0.15% 0.3%
	1kHz	0.15% 0.3%
	6kHz	0.3% 0.5%
Capture Ratio at 65dBf:	1.4dB	
Adjacent Channel Selectivity:	10dB	
Alternate Channel Selectivity ±400kHz:	75dB	
Spurious Response Ratio:	80dB	
IF Response Ratio:	90dB	
Image Response Ratio:	55dB	
AM Suppression Ratio:	55dB	
Stereo Separation:	100Hz	40dB
	1kHz	45dB(38dB with birdie filter)
	10kHz	38dB

Subcarrier Product Ratio:	62dB
SCA Rejection Ratio:	60dB
Muting Threshold:	5μV
Output Level:	700mV
[AM SECTION]	
Usable Sensitivity at 1MHz, 400Hz 30% mod:	220μV/m
Image Response Ratio at 1MHz:	50dB
IF Response Ratio at 1MHz:	40dB
Signal-to-Noise Ratio at 1MHz, 10mV/m,	
400Hz 30% mod:	50dB
Distortion at 1MHz, 10mV/m, 400Hz 30% mod:	0.5%
[GENERAL]	
Power Consumption:	7W
Dimensions:	438(W)×312(D)×85(H)mm (17-1/4"×12-9/32"×3-11/32")
Weight:	Net 5.0kgs(11.0 lbs). Gross 6.0kgs(13.2 lbs)



NOTES:
 1. ALL RESISTOR IN OHM, K:10³, M:10⁶
 2. ALL CAPACITOR IN FARAD, μ:10⁻⁶, P:10⁻¹²
 3. TRANSISTORS AND DIODES MAY BE REPLACED WITH ANY TYPES HAVING COMPARABLE RATINGS.

NOTICE:
 1. NPN TRANSISTOR IS 2SC1815 GR
 2. PNP TRANSISTOR IS 2SA1015 Y
 3. DIODE IS U51070
 4. CERAMIC CAPACITOR IS 0.04μ

