



EXCLUSIVE LINE
INTEGRATED AMPLIFIER
HIFI 9041

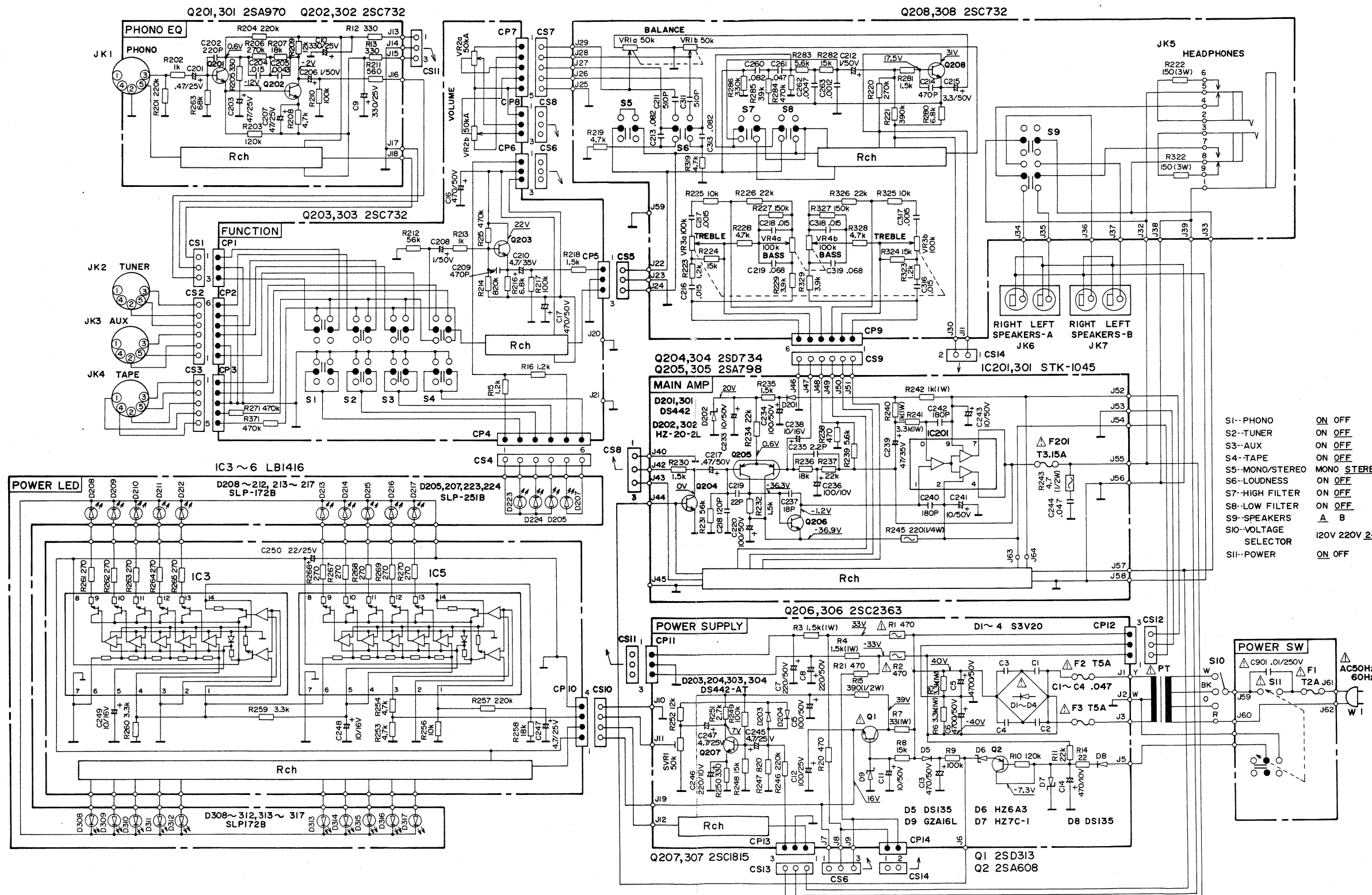
SERVICE-
INFORMATION ①

Schaltbild/Schematic Diagram/Schema Theorique

IC NO.	PIN NO.	1	2	3	4	5	6	7	8	9	10	11	12	13	14	0
IC201,301 (V)		-1.2	-4.0	0	0	0	0	0	0	4.0	0.3	0.3	0.3	0.3	0.3	0.2
IC3, 4 (V)		1.3	0	0	1.3	2.7	0	0	16	0.3	0.3	0.3	0.3	0.3	8	
IC5, 6 (V)		2.5	0	0.8	2.6	2.6	1.3	0	16	0.45	0.45	0.45	0.45	0.45	8	

NOTES

1. ALL RESISTORS ARE 1/4W, UNLESS NOTED OTHERWISE. VALUES ARE IN OHMS. (k=10³, M=10⁶)
2. ALL CAPACITOR VALUES ARE IN μF. (p=10⁻⁶ μF)
3. VOLTAGE READINGS TO COMMON GROUND ARE MEASURED WITH V.T.V.M UNDER NO SIGNAL.
4. THIS SCHEMATIC DIAGRAM MIGHT BE MODIFIED WITH DEVELOPMENT OF TECHNOLOGY.



- S1--PHONO ON OFF
- S2--TUNER ON OFF
- S3--AUX ON OFF
- S4--TAPE ON OFF
- S5--MONO/STEREO MONO STEREO
- S6--LOUDNESS ON OFF
- S7--HIGH FILTER ON OFF
- S8--LOW FILTER ON OFF
- S9--SPEAKERS A B
- S10--VOLTAGE SELECTOR 120V 220V 240V
- S11--POWER ON OFF



EXCLUSIVE LINE
INTEGRATED AMPLIFIER
HIFI 9041

SERVICE-
INFORMATION ②

Druckplatte/Printed Board/Circuit Imprime (lötseite/soldered side/cote soudures)

