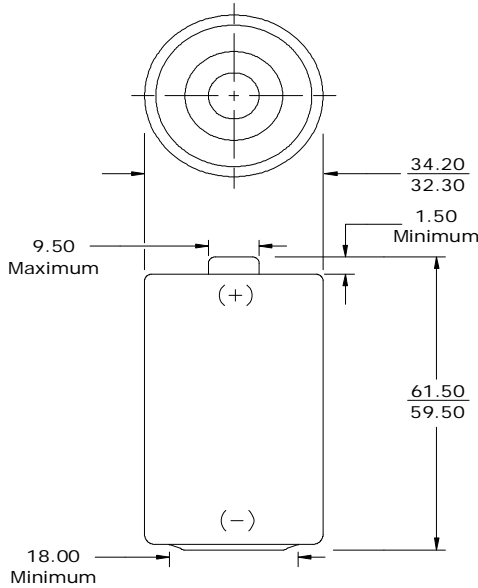


Eveready Silver D (R20)



**Industry Standard Dimensions**  
(millimeters)



**Specifications**

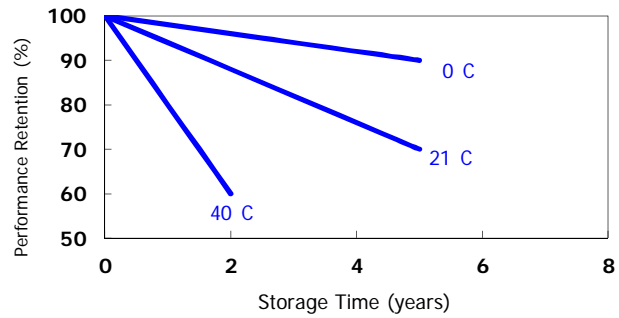
<b>Classification:</b>	"Carbon Zinc" (Zinc Chloride)
<b>Chemical System:</b>	Zinc-Manganese Dioxide (Zn/MnO <sub>2</sub> ) No Added Mercury or Cadmium
<b>Designation:</b>	IEC-R20
<b>Nominal Voltage:</b>	1.5 volts
<b>Typical Capacity:</b>	7,200 mAh* (to 0.8 volts)
<b>Capacity Test:</b>	25 mA continuous drain (21°C)

\* Varies according to the applied load, temperature, and cutoff voltage.

<b>Operating Temp:</b>	-18°C to 55°C
<b>Typical Weight:</b>	89 grams
<b>Typical Volume:</b>	53 cubic centimeters
<b>Jacket:</b>	Metal

**Storage/Capacity Characteristics**

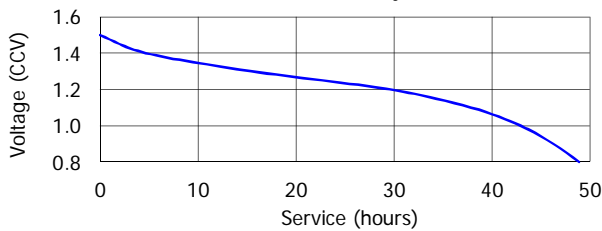
Effects of Storage at Various Temperatures



**Industry Standard Tests (21°C)**

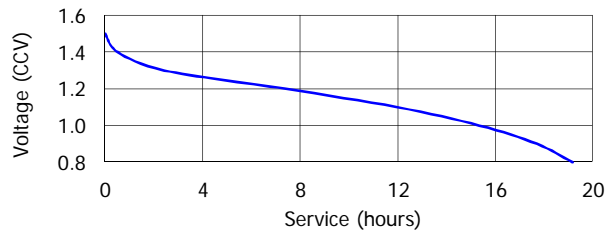
**RADIO**

10 ohm 4 hrs/day



**TAPE PLAYER**

3.9 ohm 1 hr/day

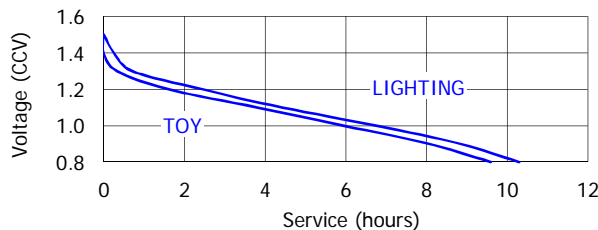


**TOY**

2.2 ohm 1 hr/day

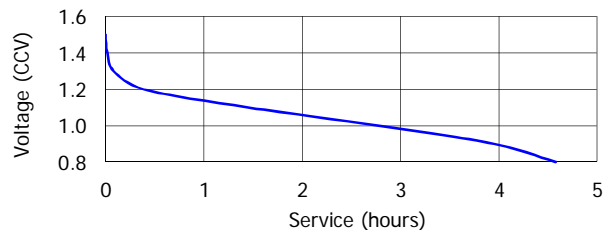
**LIGHTING**

2.2 ohm LIF



**LIGHTING**

1.5 ohm HIF



**Important Notice**

This datasheet contains information specific to battery chargers manufactured at the time of its publication.

©Energizer Holdings, Inc. - Contents herein do not constitute a warranty.