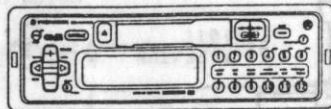


**PIONEER**  
The Art of Entertainment

● KEH-P6000RDS



ORDER NO.  
**CRT1554**

MULTI-CD CONTROL FM/MW/LW TUNER DECK AMPLIFIER

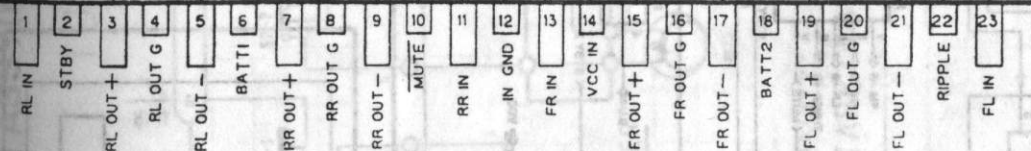
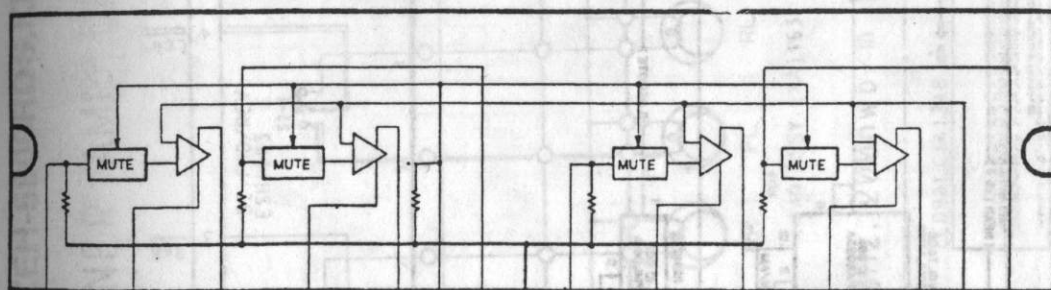
**KEH-P6000RDS** EW,X1B

FM/MW/LW TUNER DECK AMPLIFIER

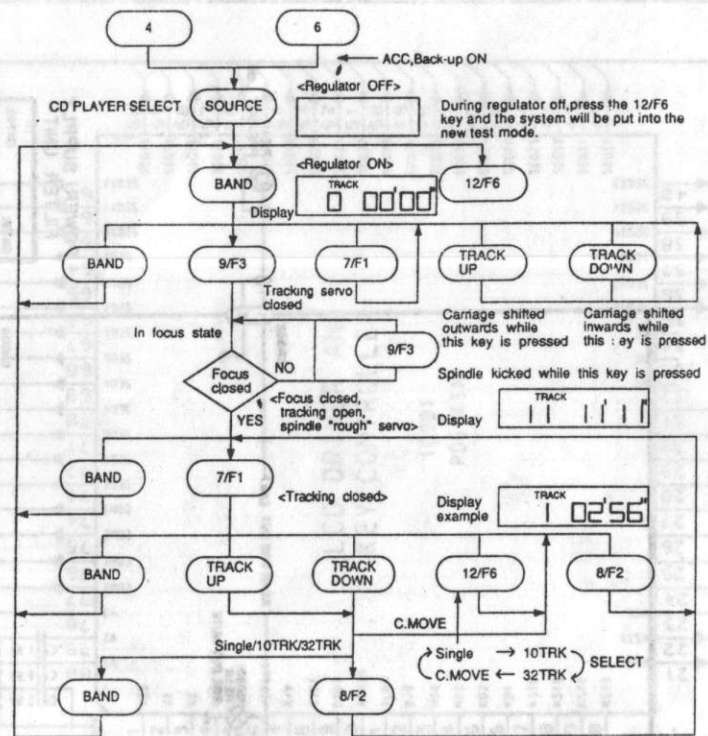
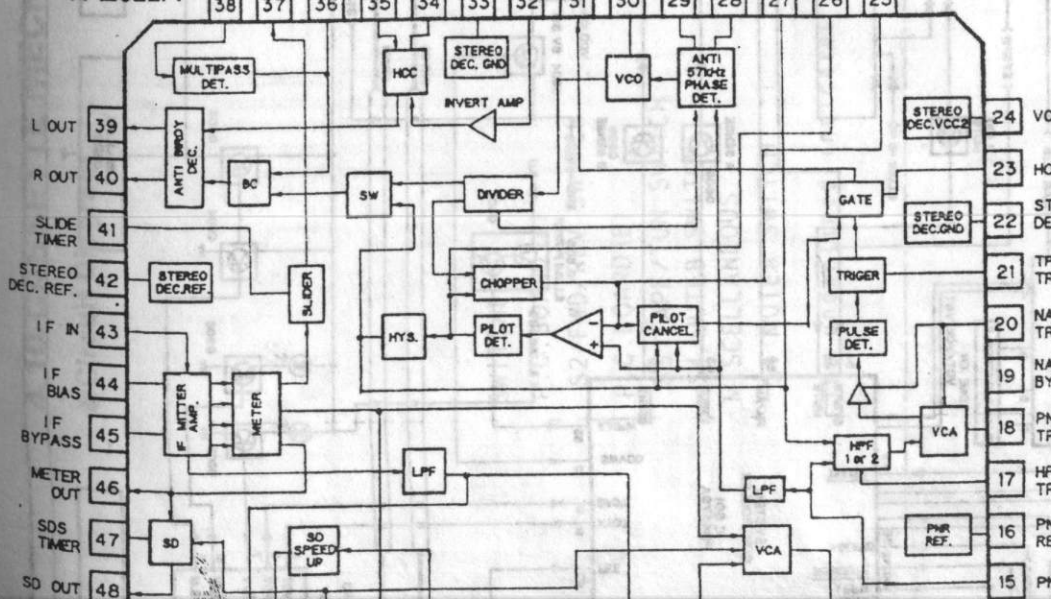
**KEH-5800RDS** EW,X1B/EW

**KEH-5200RDS** EW,X1B/EW,IT

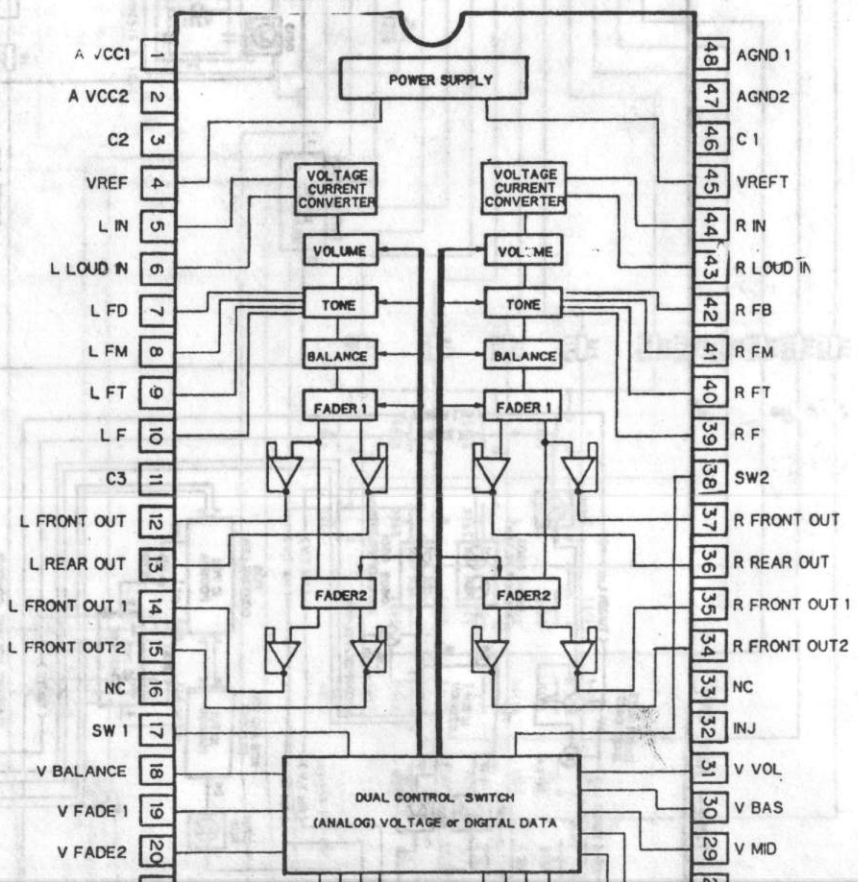
PA3029A

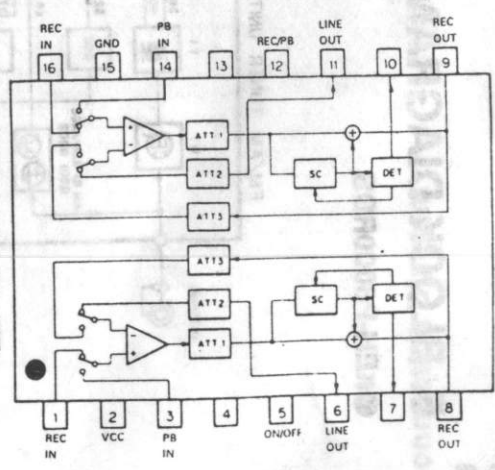
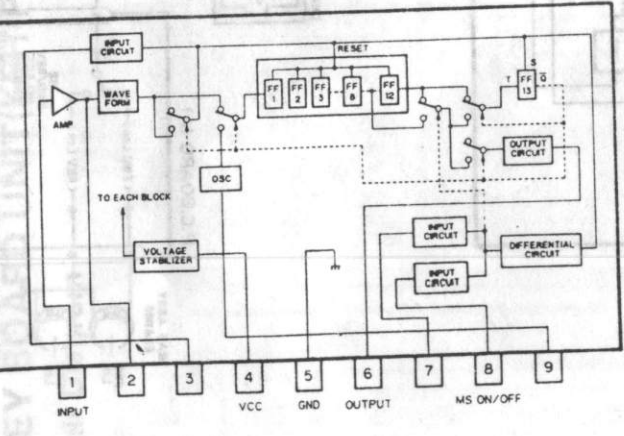
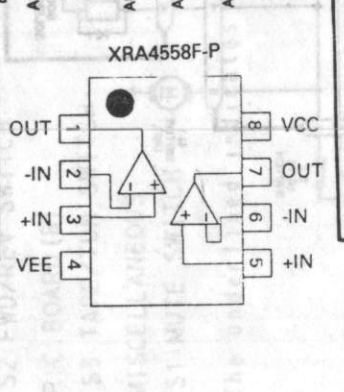
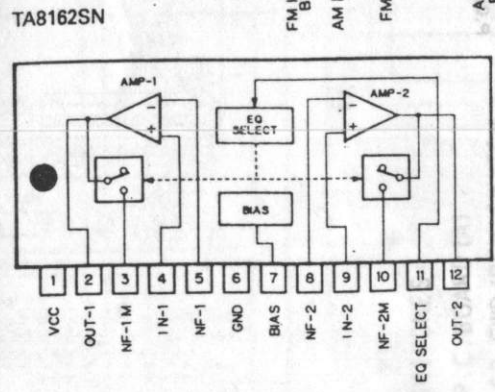
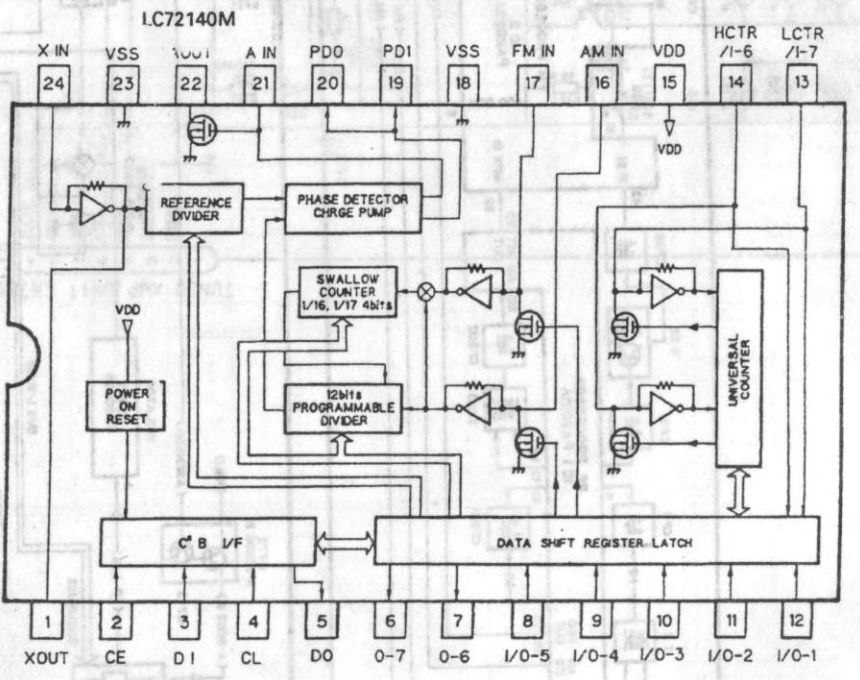
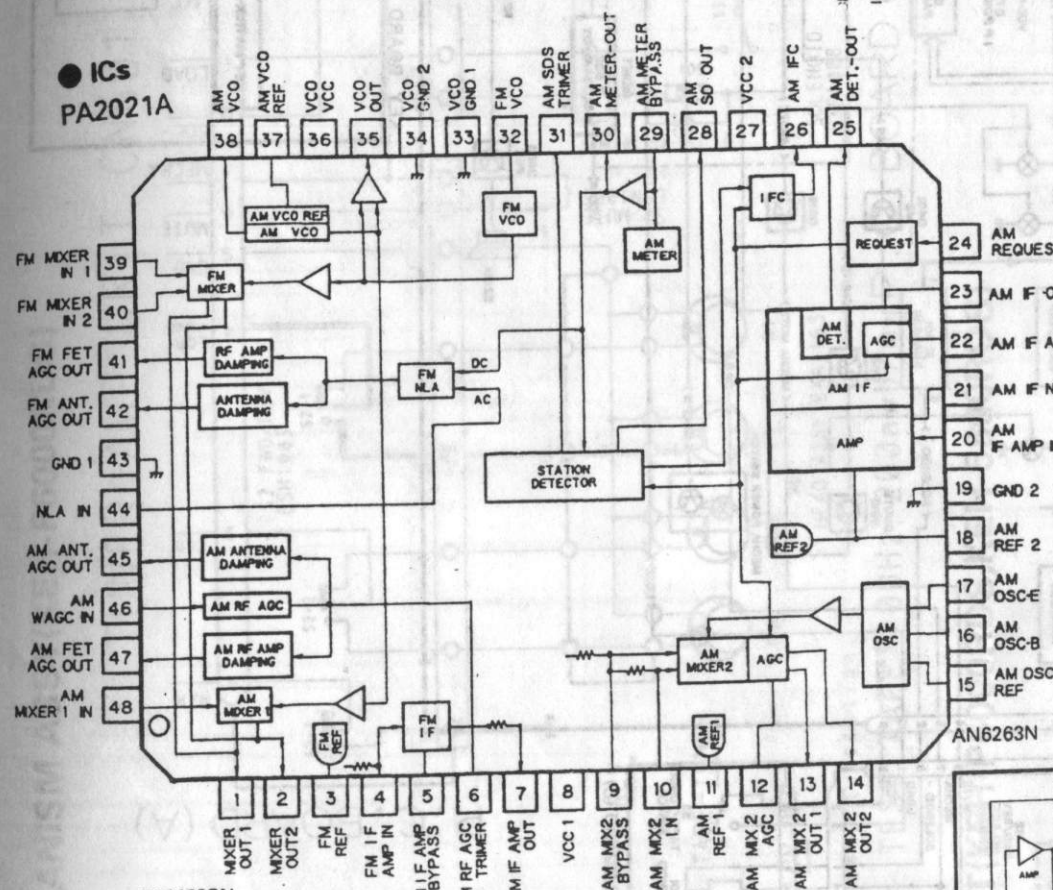
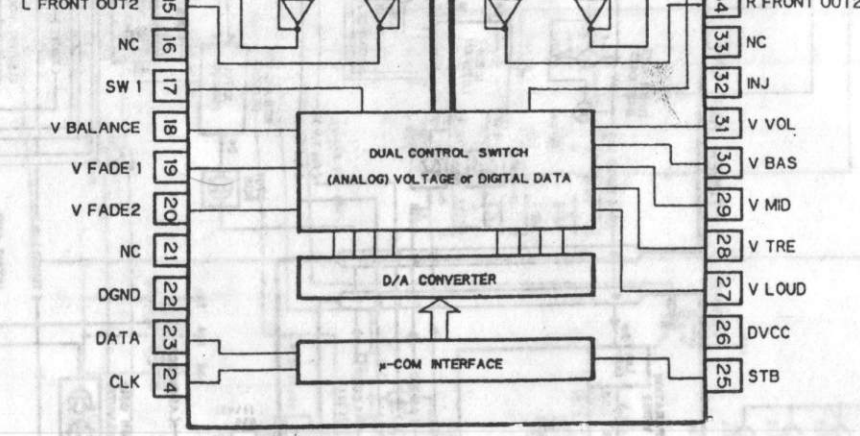
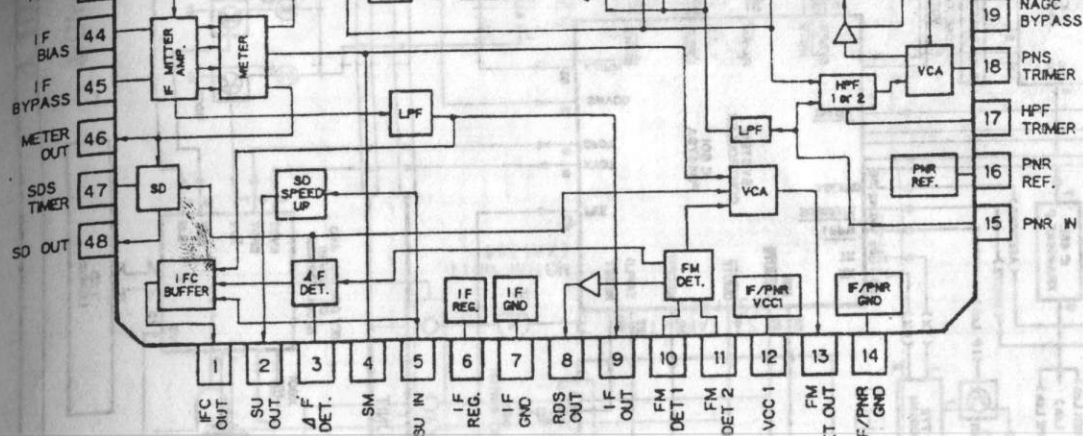


PA2022A



PM0004AM







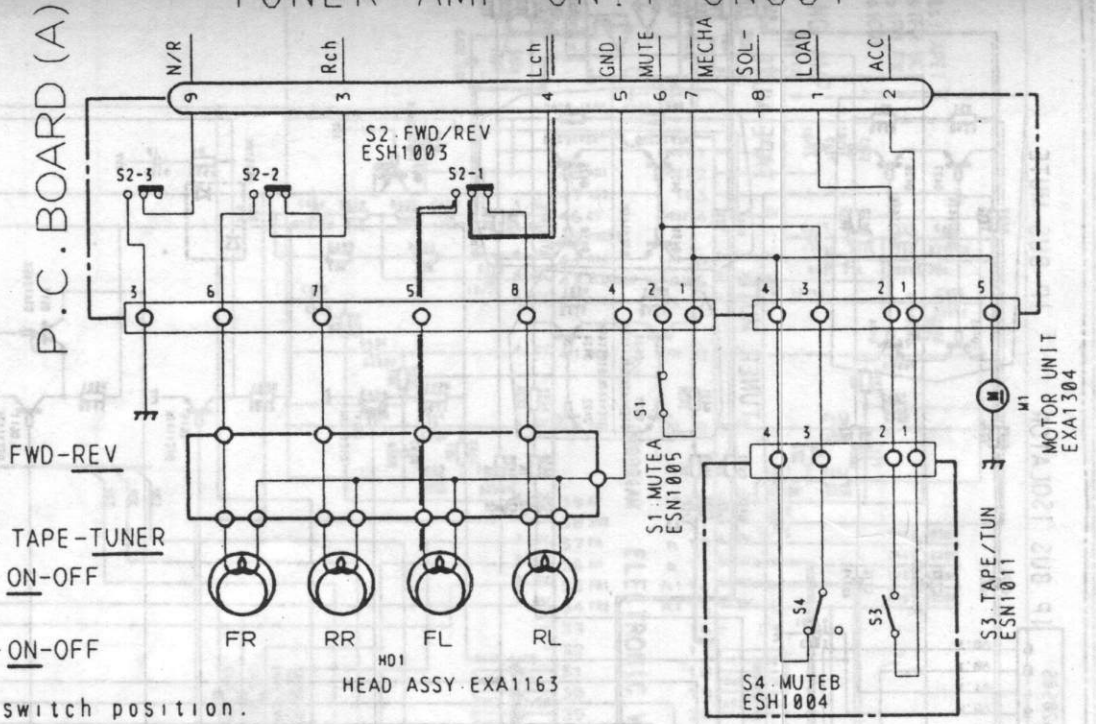


### 4.10 CASSETTE MECHANISM ASSY(KEH-5800RDS,KEH-5200RDS)

●Circuit Diagram

## TUNER AMP UNIT CN601

- SWITCHES
- P.C. BOARD (A)
    - S2 FWD/REV SWITCH
  - P.C. BOARD (B)
    - S3 TAPE/TUN SWITCH
    - S4 MUTE B SWITCH
  - MISCELLANEOUS
    - S1 MUTE A SWITCH

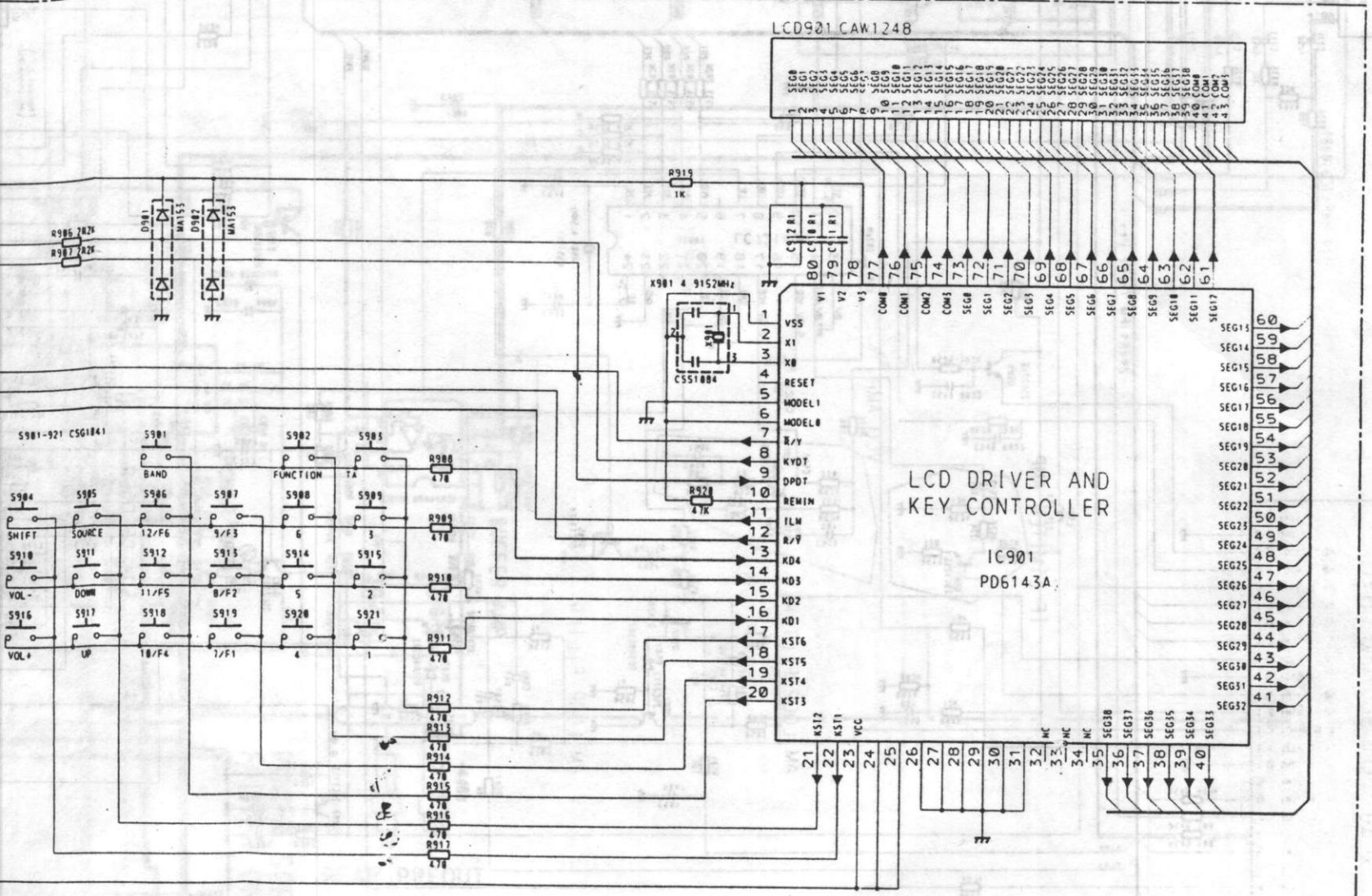


The underlined indicates switch position.

TEST TAPE: 400Hz, 200nwb/m P.C. BOARD (B)

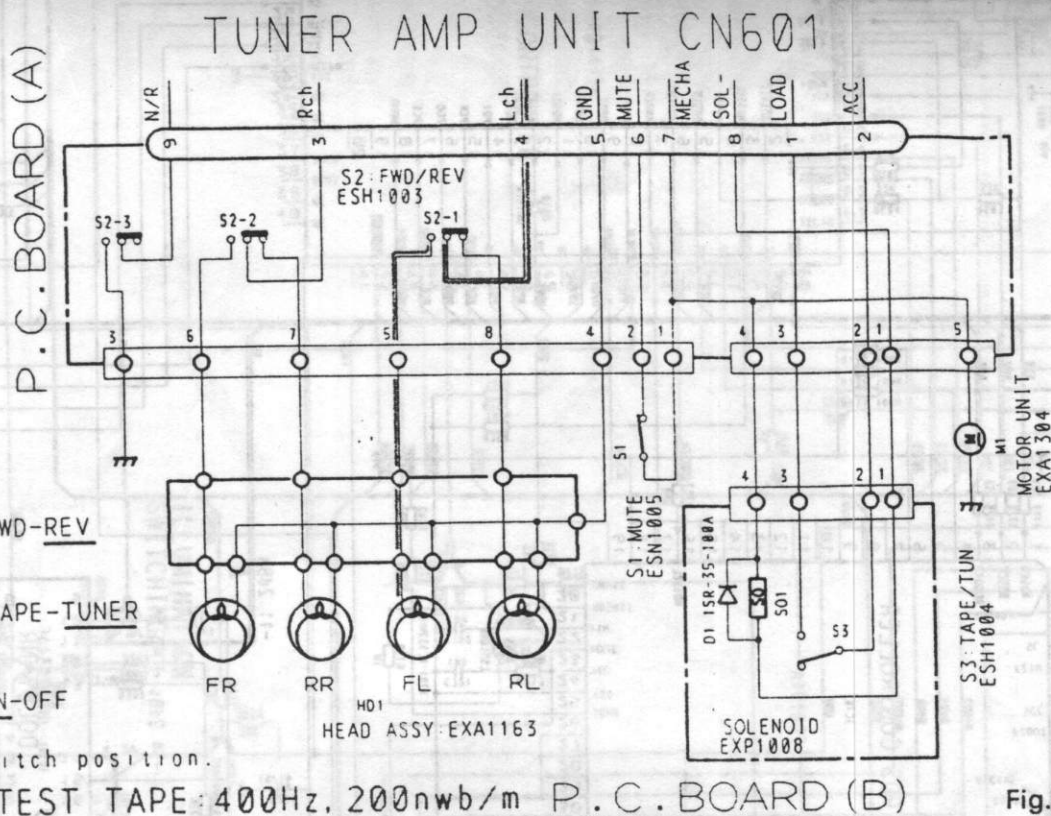
Fig.22

.20



# 4.9 CASSETTE MECHANISM ASSY(KEH-P6000RDS)

## ●Circuit Diagram



SWITCHES:

- P.C. BOARD (A)
- S2: FWD/REV SWITCH
- P.C. BOARD (B)
- S3: TAPE/TUN SWITCH
- MISCELLANEOUS
- S1: MUTE SWITCH

FWD-REV

TAPE-TUNER

ON-OFF

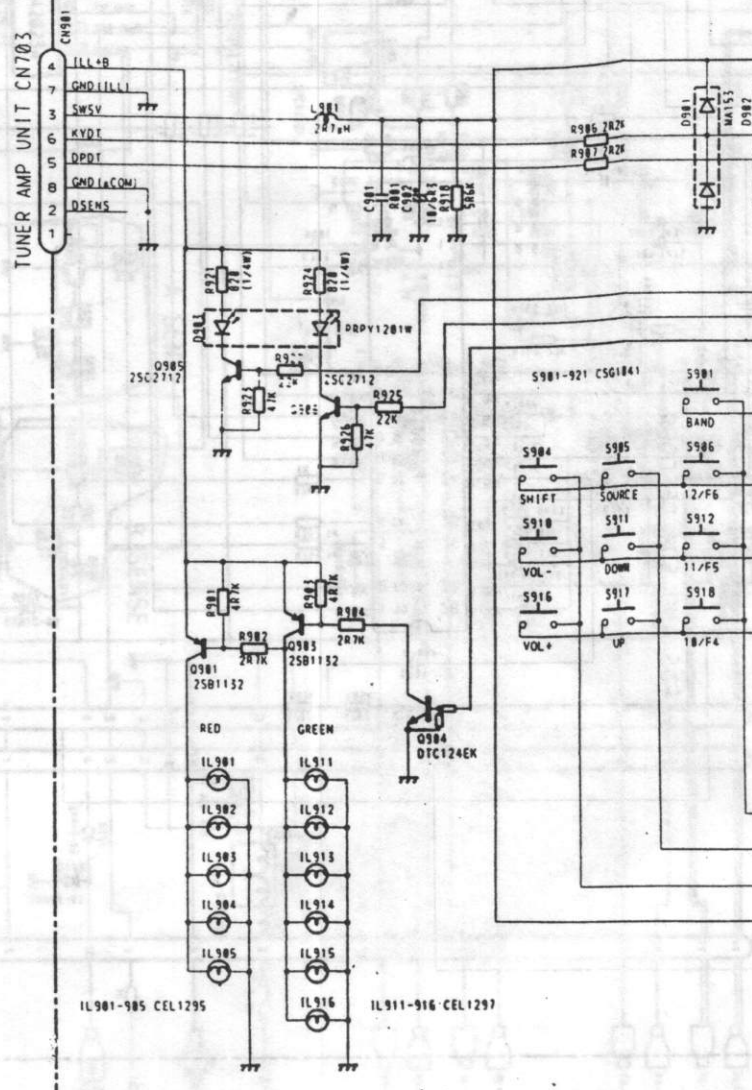
The underlined indicates switch position.

TEST TAPE: 400Hz, 200nwb/m P.C. BOARD (B)

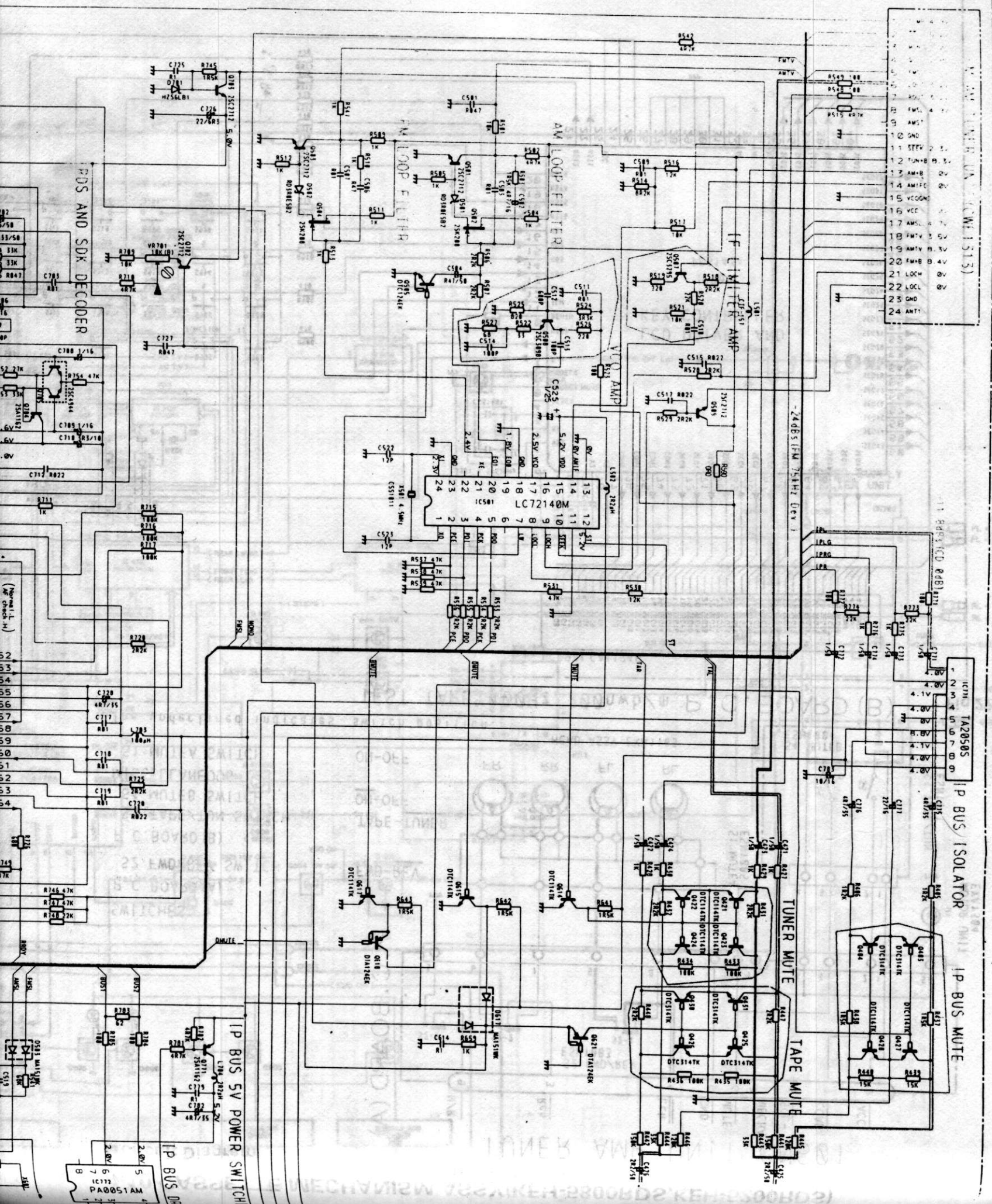
Fig.20

# 4.6 KEY BOARD UNIT(KEH-P6000RDS,KEH-5800RDS)

## ●Circuit Diagram

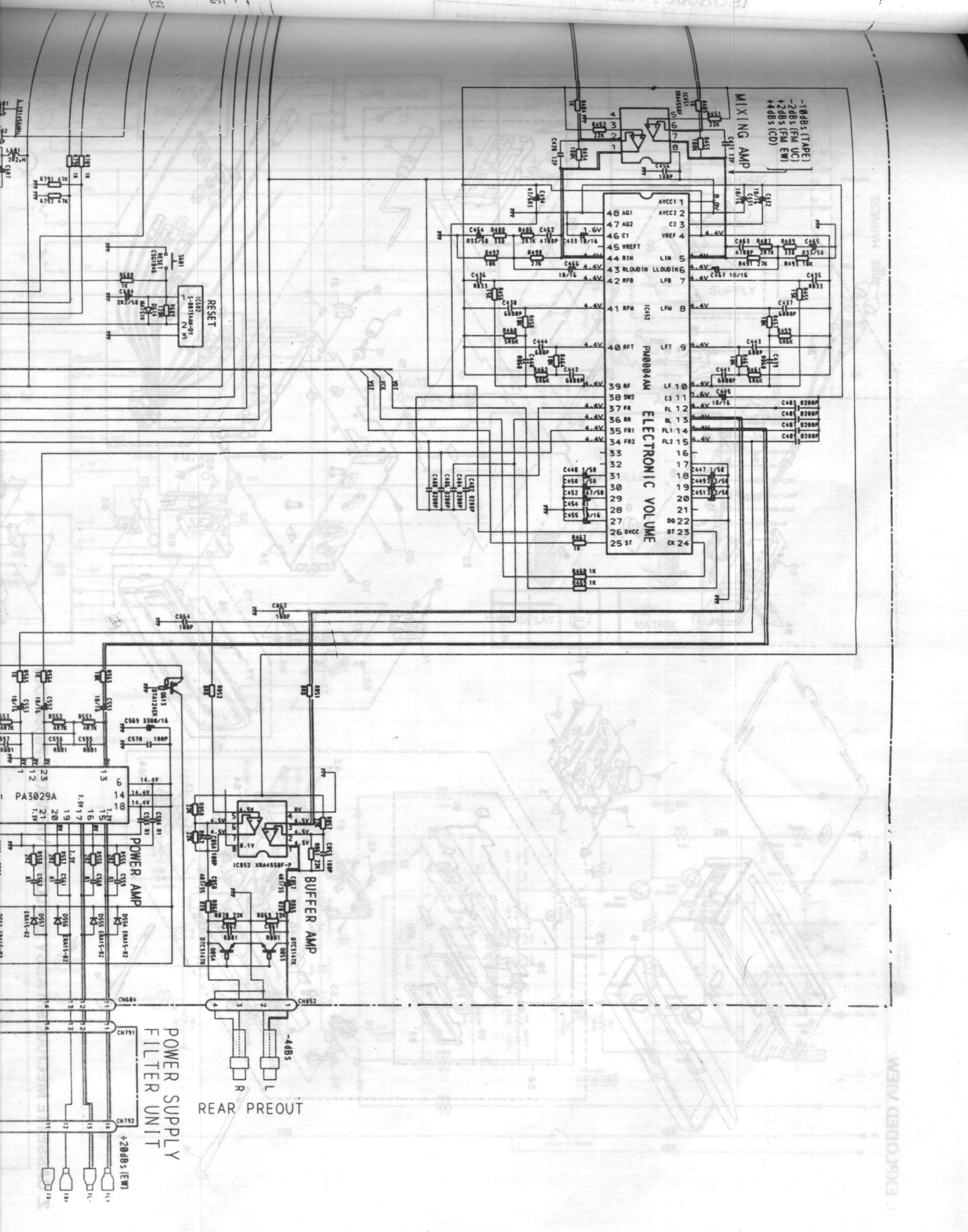


## ●Connection Diagram









-1000s (TAPE)  
-200s (FM UC)  
+200s (FM EM)  
+400s (CD)

MIXING AMP

IC52  
PI0004AM  
ELECTRONIC VOLUME

REAR PREOUT

POWER SUPPLY  
FILTER UNIT

+2000s (EM)

PA3029A

POWER AMP

BUFFER AMP

-400s

R

L

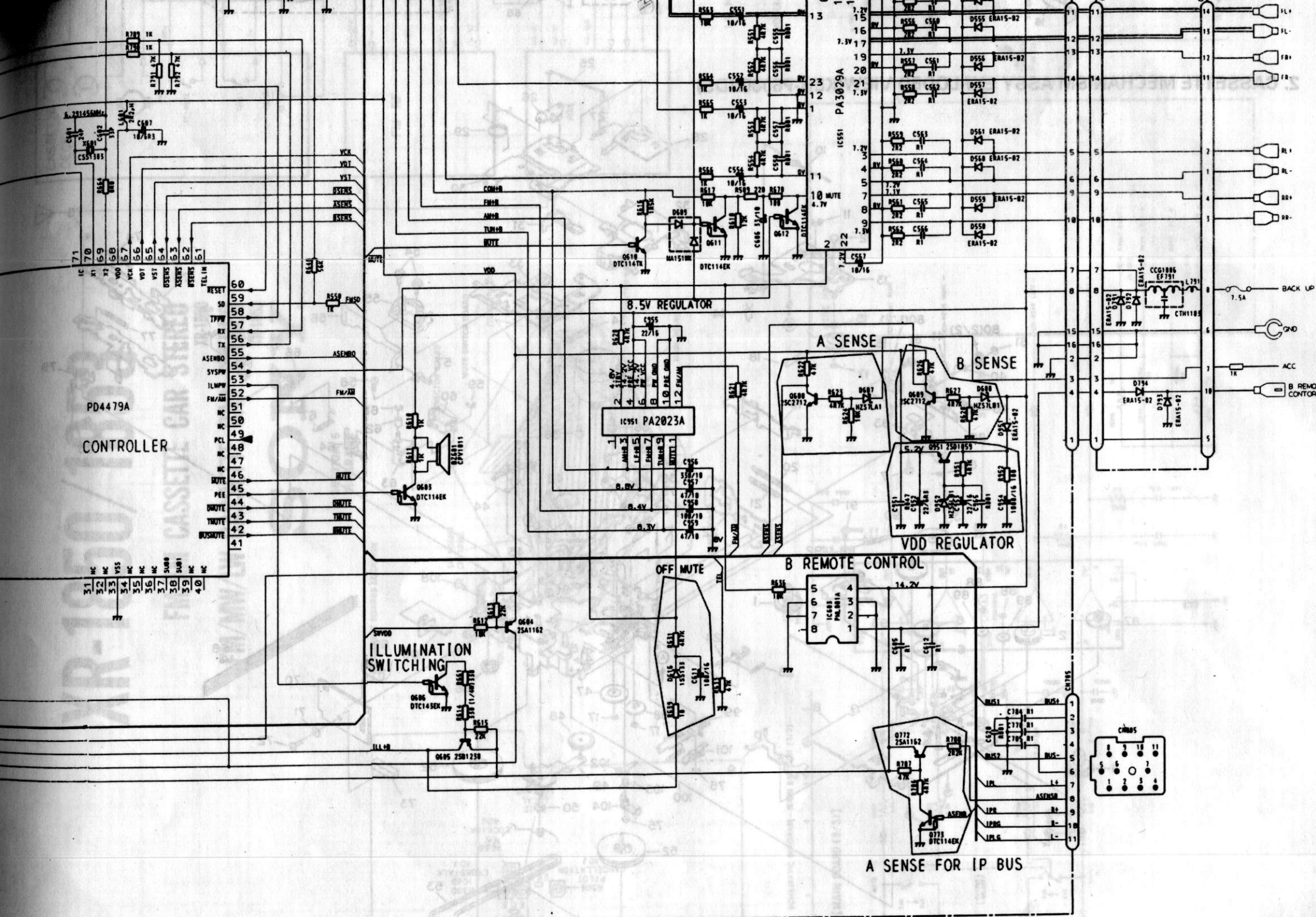
CH852

CH792

CH791

CH790

NEW/DECODED/EX

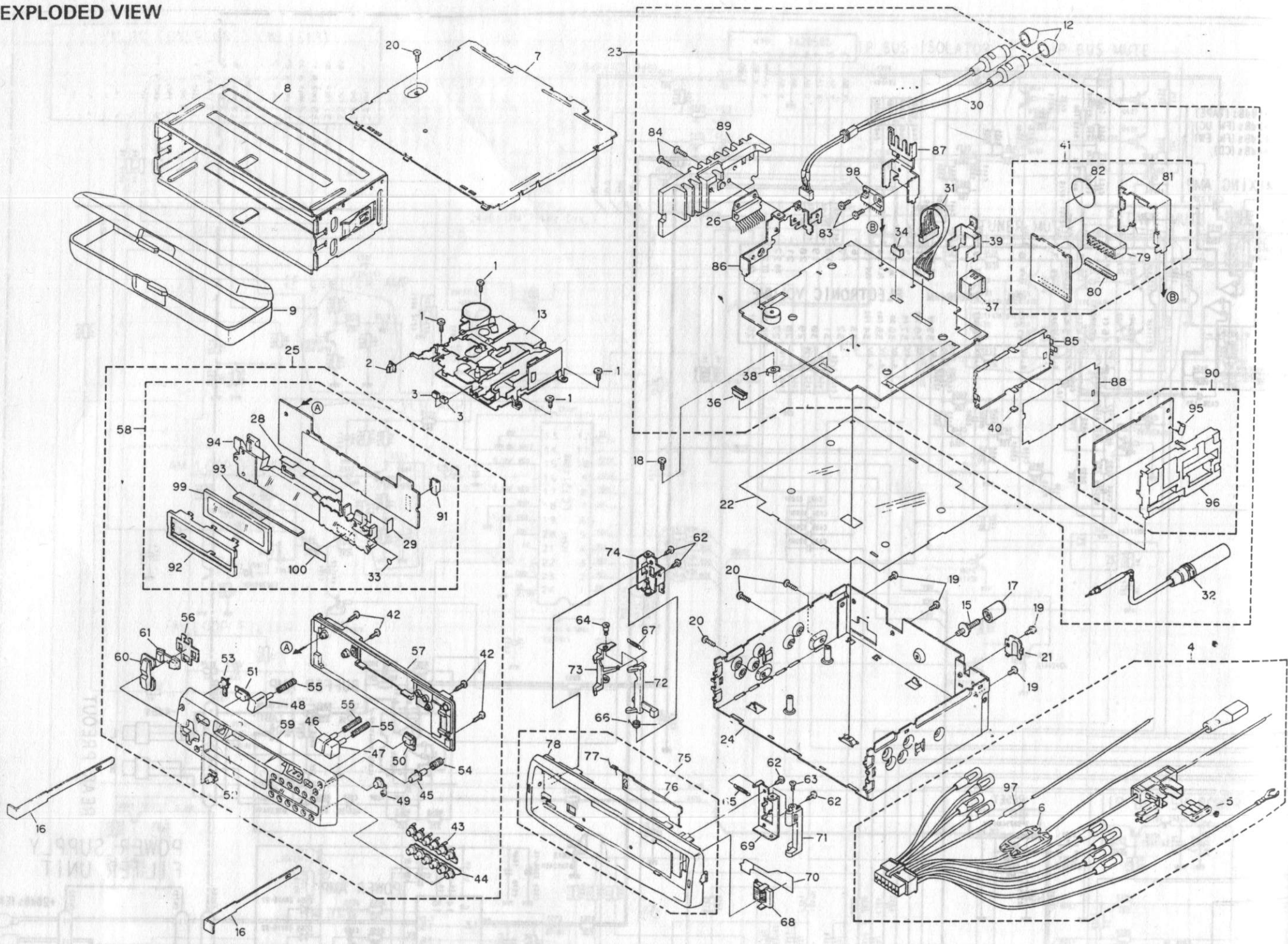


NOTE:

- Symbol indicates a resistor. No differentiation is made between chip resistors and discrete resistors.
- |— Symbol indicates a capacitor. No differentiation is made between chip capacitors and discrete capacitors.

Decimal points for resistor and capacitor fixed values are expressed as:  
 2.2-2R2  
 0.022-R022

# EXPLODED VIEW



25

2 CASSETTE MECHANISM ASSY EXPLODED VIEW (KEH P6000PDS)