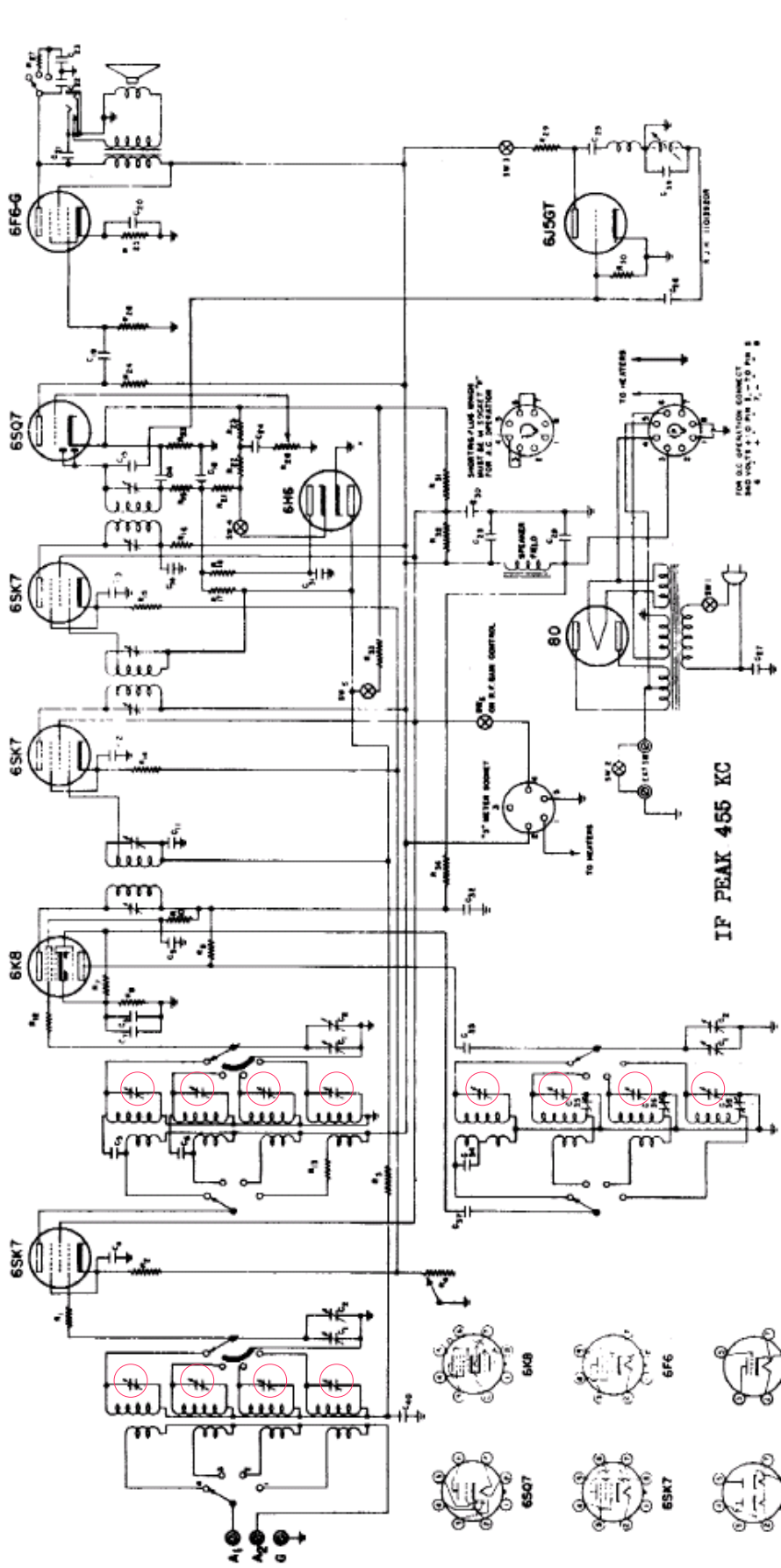


THE HALLICRAFTERS INC.

MODEL S20-R  
Schematic Notes



IF PEAK 455 KC

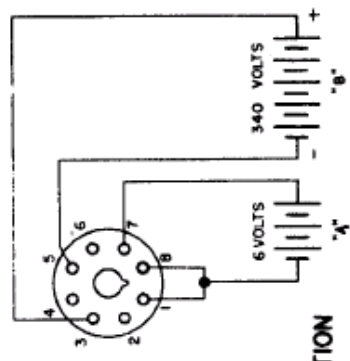
Unless otherwise specified the S20R Receiver operates on 100-125 volt 50-60 cycle current. A universal model is available on special order for operation on 110-250 volt, 25-60 cycle current.

TUBE LINE-UP

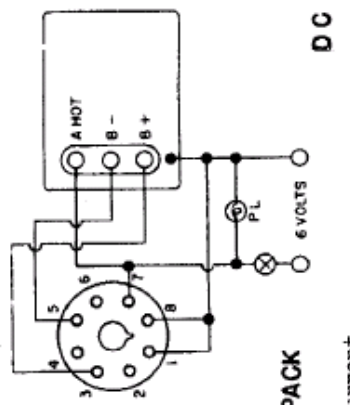
- 6SK7 R. F. Amplifier
- 6SK8 1st Detector-Mixer H.F. Oscillator
- 6SK7 1st I.F. Amplifier
- 6SK7 2nd I.F. Amplifier
- 6SQ7 2nd Detector, A.V.C. 1st stage of audio
- 6F6G 2nd audio output stage
- 6H6 Automatic Noise Limiter
- 6J5GT Beat Frequency Oscillator
- 80 Rectifier

SKY-CHAMPION MODEL - S20-R

BATTERIES



DC OPERATION



The Model S20R Receiver draws 65 watts at 115 volts 60 cycle alternating current.

CONNECTIONS TO "PWR" SOCKET AFTER REMOVAL OF SHORTING PLUG